



COMBI VALVE LEAD FREE

DOUBLE OUTLET MINI STOP, easy installation of a double service point.

- **VITAQ system:** more life less lime scale at higher temperatures:
 - Increase your installation life span.
 - Smoother open/close operation.
 - Eliminating lime scale from building up over time.
- Metal Chrome plated handle, compact and robust.
- Double check valve, one for each outlet.
- Red and blue indexes, distinguish between hot and cold water
- One piece stamped body, compact and resistant
- Double O-ring on ball-stem to secure external leak tightness..



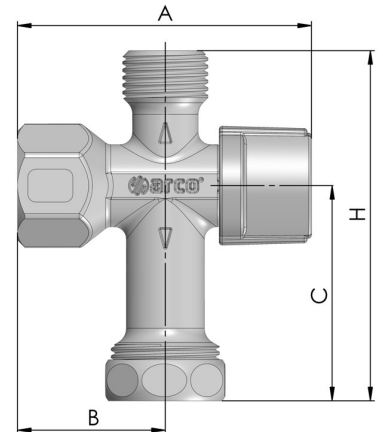
TECHNICAL DATA SHEET COMBI VALVE

PRODUCT SCOPE

DUAL quarter turn valve in one 15 x 15 x 20 installed upstream of a terminal fitting to shut off water supply in a quick and safe way isolating the devices to service or repair. Intended for use in residential and commercial potable water distribution networks. With VITAQ system for preventing lime scale problems.

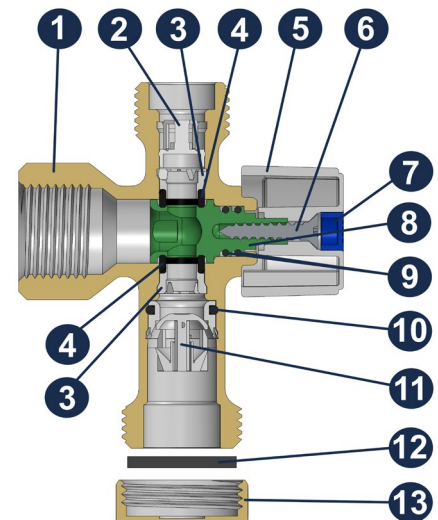
GENERAL DIMENSIONS, PRESSURE & TEMPERATURE

Code	Size	A (mm)	B (mm)	C (mm)	H (mm)	PN (KPa)	Temp. range (°C)
AS575	1/2FX1/2MX3/4M	72	36	52	85	1600	0 up to 80



MATERIALS

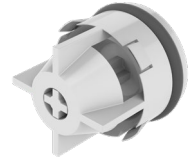
Item	Component	Material	Finishing
1	Body	CW511L Brass	Chrome plated
2	Check valve	POM + Inox	-
3	Supporting clip	POM	-
4	Seat	NBR	-
5	Handle	ZAMAK	Chrome plated
6	Screw	Stainless steel	-
7	Index	ABS	Blue / Red
8	Ball-Stem	Anti-lime polymer	VITAQ
9	O-ring	EPDM	-
10	O-ring	EPDM	-
11	Check valve	POM + Inox	-
12	Washer	NBR	-
13	Cap	CW614N Brass	Chrome plated





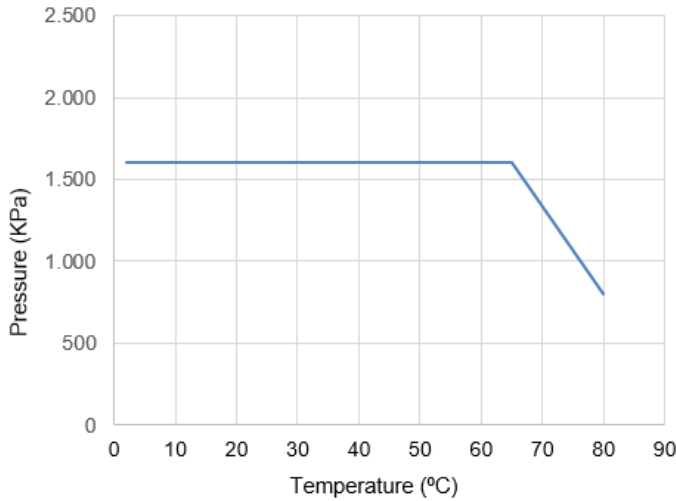
NON RETURN VALVE

These valves incorporate a check valve system according to standard AS/NZS 2845.1:2022. The integrated check valve is installed close the outlet of the valve prevents from backflow from down stream network and devices, resulting in safer water.

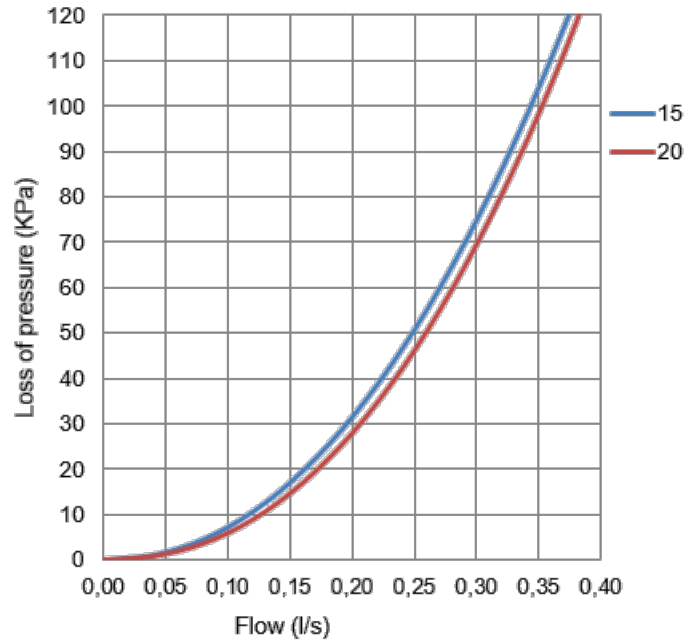


TECHNICAL DATA

Pressure vs temperature



**Hydraulic features.
Flow vs Loss of pressure**



Compatibility with fluids

Fluid	Compatibility
Drinking water	Excellent

For any other fluid, please contact Arco technical Service.

Size	15	20
Kv	1,24	1,27

Kv (m3/h), cubic meters per hour that flow through the valve generating a loss of pressure of 1 bar.

INSTALATION INSTRUCTIONS

This product is designed to be used in drinking water supply, in compliance with the Lead-Free requirements of the National Construction Code Volume 3. For installation refer to AS/NZS 3500.

Nominal Pressure 1.600 Kpa. Temperature range 0 to 80°C excluding freezing.

1. Switch off flow of water to the installation area.
2. Apply sealing material tape to the thread of the inflow pipe.
3. Thread the valve onto the inflow pipe.
4. Connect hose to fixture and to the outflow connection of the valve, ensure that connections are watertight.
5. Check operation of valve by turning the handle a full quarter turn to ensure connections are watertight.



All products have an enviromental impact during its life cicle, even once retired. All the components of this product can be recycled. Once the use is over, leave the valve in any recycling green point. Válvulas Arco reserves the right to change the product or any of its technical specifications without prior notice.

FT02530 ING – Edition 2024-07