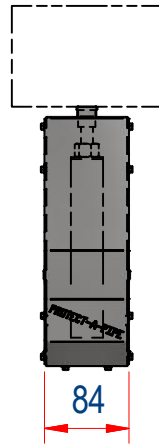


**SPECIFICATION - 100NB PEAR  
BAND MOULD**

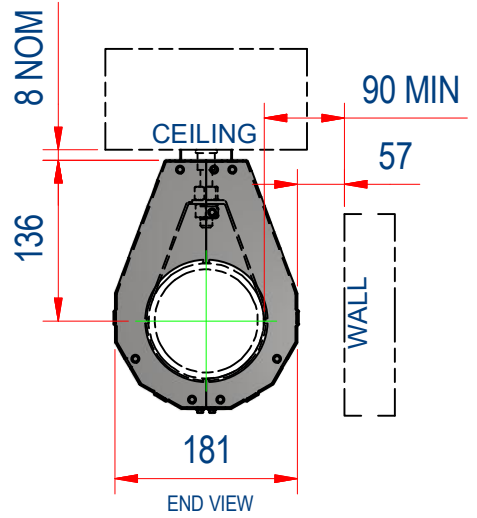


**COMPLETE ASSY NUMBER**

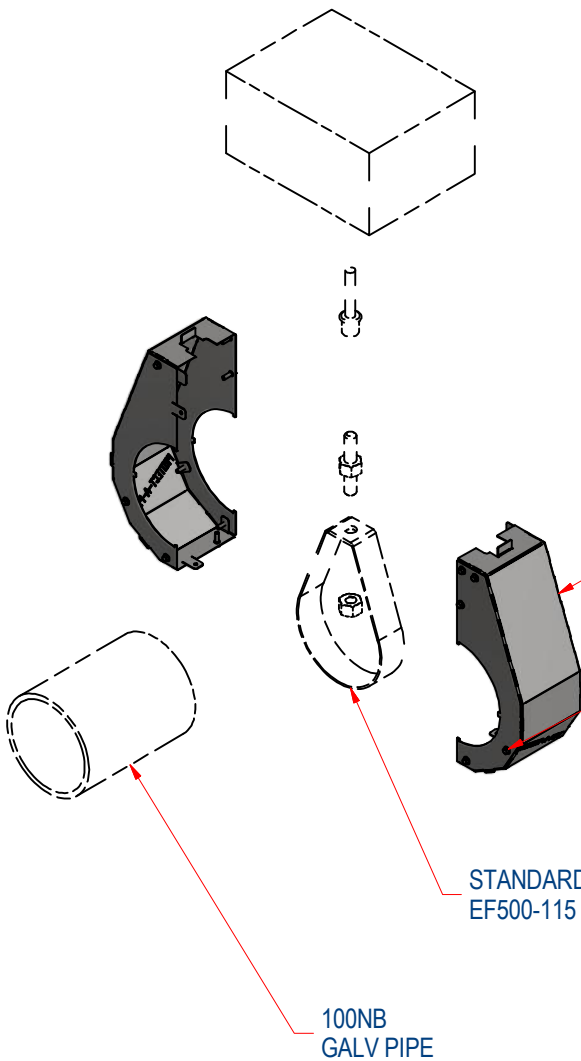
**PRODUCT CODE 506838**



SIDE VIEW



END VIEW



**COMPLETE ASSY**

**PN: P100FW**

2 OFF  
SUPPLIED AS FLAT PAK  
OR PRE ASSEMBLED  
(REFER TO OPTION ON  
ORDER SHEET)

**SS SCREWS**

18 OFF  
SUPPLIED WITH FLAT PAK

STANDARD PEAR BAND  
EF500-115

100NB  
GALV PIPE

**NOTE:**

**"CAFECO 300" REQD**