

## KADO LUX UNDER COUNTER 425 BASIN

### INSTALLATION INSTRUCTIONS

1. Cut out benchtop as per template supplied.

**Note:**

- If wall mounted tapware is to be used, consideration should be made to length of outlet and positioning of basin on bench top.
- If tapware is to be bench mounted allow suitable bench top width for fitting tapware.

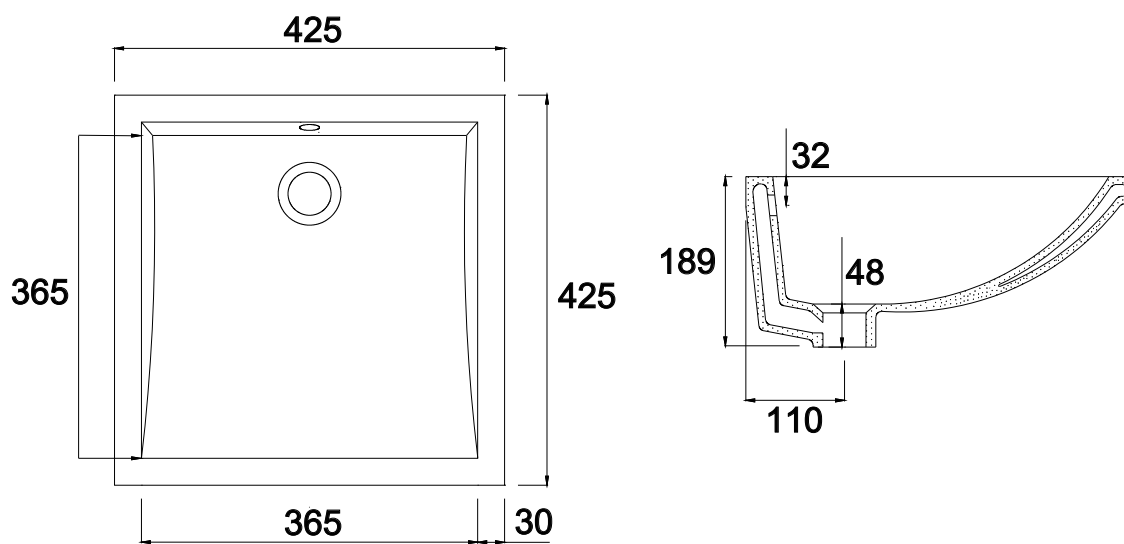
2. Fit waste to basin.

3. Position basin underneath benchtop and mark out position for fixing clips.  
Apply sealant to rim of basin and position underneath benchtop.  
Install securing clips and remove excess sealant.

**Note:**

- Do not use any epoxy/glues when installing this basin.

4. Remove surplus sealant.



Dimensions are nominal measurements only.

Plumbers, please ensure a copy of the installation instructions is left with the end user for future reference

Published 21/07/2020