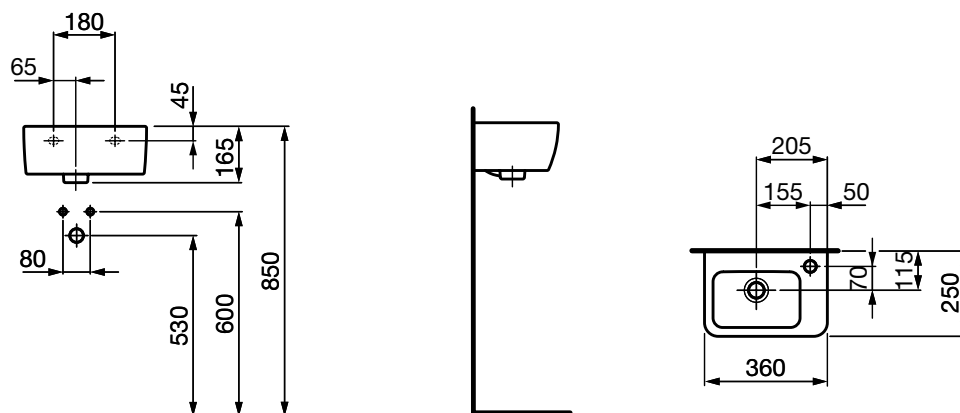


# LAUFEN

## Pro A

### WALL BASIN 360



#### SPECIFICATION

<b>Fixing requirements</b>	Refer to diagram
<b>Integral overflow</b>	Yes
<b>Tap hole availability</b>	1 taphole
<b>Plug &amp; waste</b>	Suits 32 x 40mm overflow waste
<b>Water storage</b>	2.4 litres per bowl
<b>Colour availability</b>	White

#### FEATURES

<b>Recommended use</b>	Domestic, hotel or commercial
<b>Weight</b>	7.1kg
<b>Finish</b>	LAUFEN Clean Coat



To see the complete LAUFEN range go to [www.reece.com.au/bathrooms](http://www.reece.com.au/bathrooms)

#### CLEANING RECOMMENDATIONS

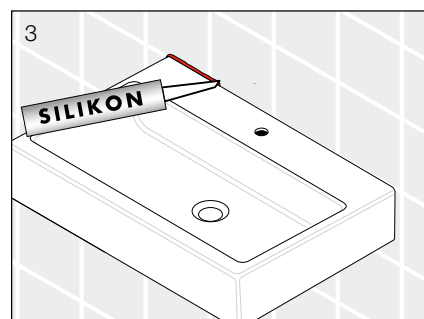
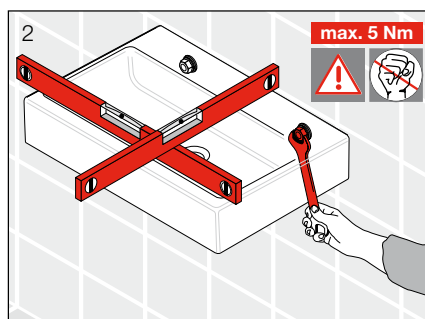
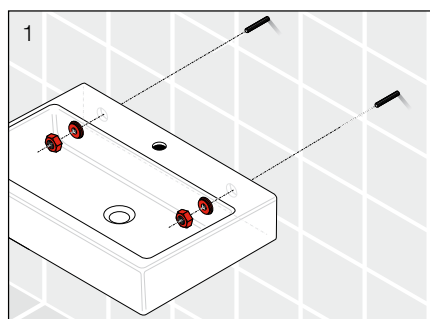
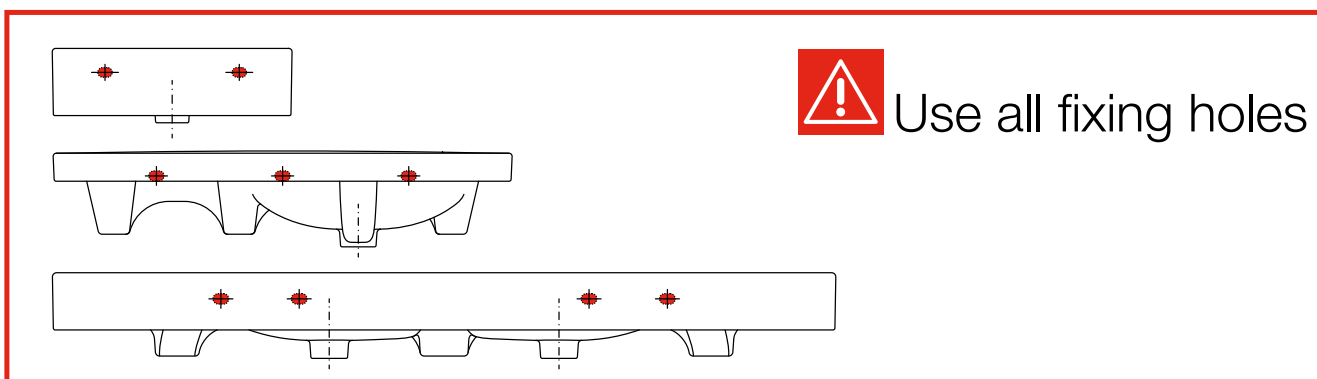
Soapy water or approved bathroom cleaners. This bathroom product should not be cleaned with abrasive materials. Damage caused by any improper treatment is not covered by the product warranty. Refer to Warranty Conditions.

# LAUFEN

## Pro A

### WALL BASIN 360

#### INSTALLATION



Plumbers, please ensure a copy of the installation instructions is left with the end user for future reference