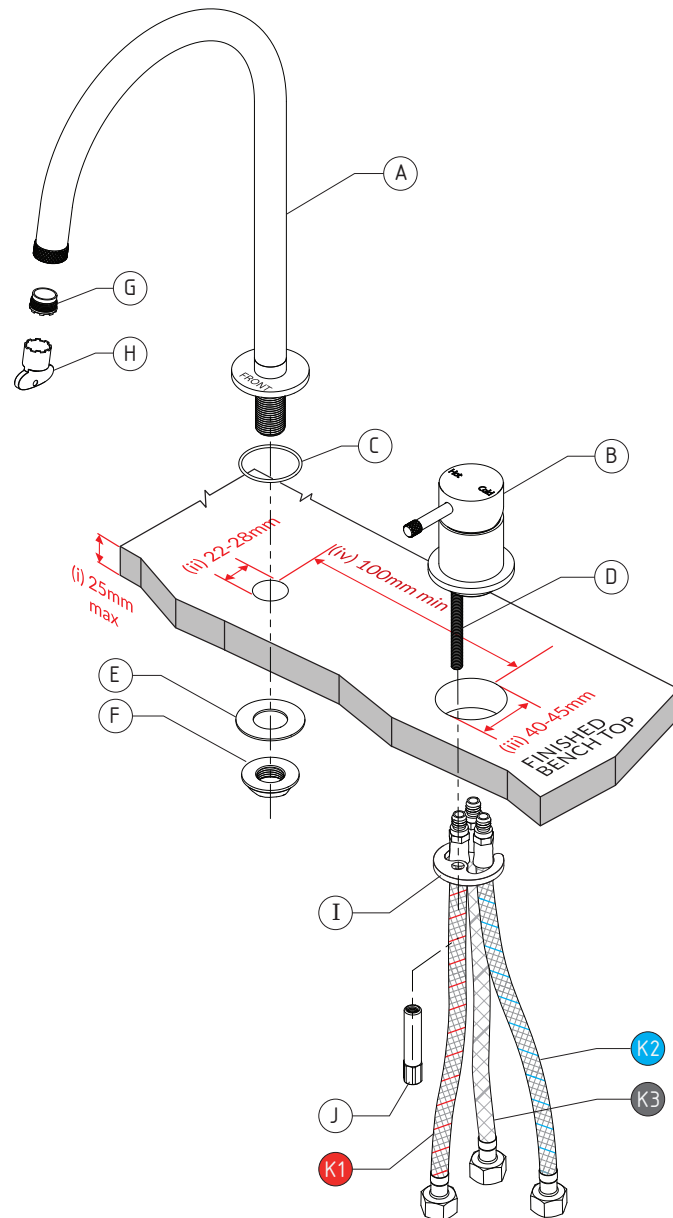


# Scala Nova Basin Sink Hob Mixer Set

SUSSEX



## Product code

SNBSHMS.01

## Install Preparation:

- The Mixer is supplied pre-assembled, the Clamping Ring (E), Clamps (F & I), Fixing Nut (J) need to be temporarily removed prior to installation.
- Maximum bench thickness is 25mm (i).
- Outlet Clearance Hole: 22 - 28mm (ii).
- Hob Mixer Clearance Hole: 40 - 45mm (iii).
- Minimum Distance between Outlet and Hob Mixer is 100mm (iv) centre to centre.
- Mounting Surface must be flat and level.
- Ensure adequate cupboard space has been provided to allow the Pull-out hose to move freely.

## Product parts:

- (A) Outlet Assembly (Preassembled)
- (B) Hob Mixer Assembly (Pre-assembled)
- (C) O-Ring
- (D) Thread Bar
- (E) Plastic Washer
- (F) Outlet Locknut
- (G) Aerator
- (H) Aerator Key
- (I) Hob Mixer Clamp
- (J) Fixing Nut
- (K) Flexible hoses with 1/2" BSP Fittings with Conical Seals (K1= HOT, K2 = COLD and K3 = MIXED)

## Plumbers note:

- Tapware is to be installed by a Licensed Plumber in accordance with AS/NZS 3500:2021
- Recommended working water pressure 300 - 500 Kpa. Maximum water temperature is 65°C
- After installation, ensure that tapware functions correctly without leaks.
- Please ensure a copy of the Installation Instructions are left with the end user for future reference.

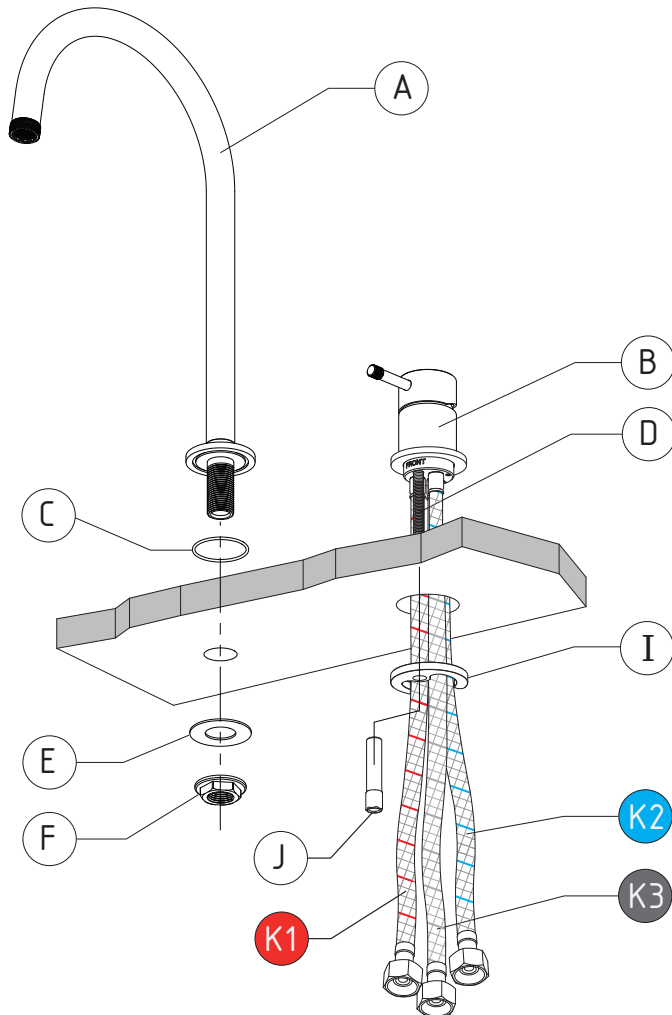


While we aim to ensure the specifications shown are correct at time of printing, Sussex Taps reserves the right to make modifications without prior notice. Always use the physical product for accurate measurements. Dimensions are subject to change without notice. All measurements are shown in millimetres. This product complies with lead free requirements.

### Step 1

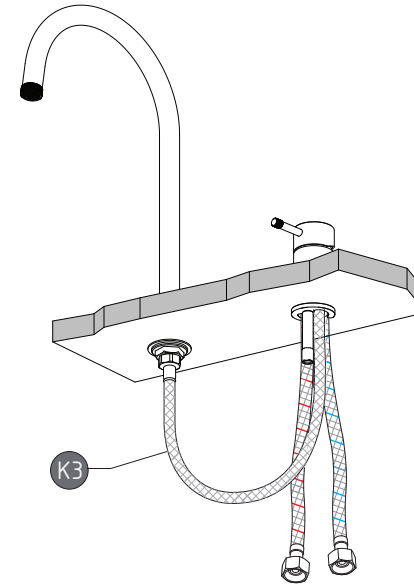
For the Outlet (A), first remove the Plastic Washer (E) and Locknut (F), then working from underneath, fit the Washer and Nut to the outlet's tail. (tighten well). Ensure the FRONT label remains in position towards the user.

For the Hob Mixer (B), remove Fixing Nut (J) and Clamp (I) then feed the preinstalled and labelled hoses (K1, K2 & K3) through the bench. Apply a small amount of Sealant to the under side of the Hob Mixer Flange to seal the Mounting Surface. Note: The "FRONT" label must be positioned to face the user. Working from underneath, fit the Clamp onto the Thread Bar (D) then tighten with Fixing Nut (J). (tighten well).



### Step 2

Connect the Mixed Water flexible hose (K3) to the Outlet (A)'s tail.



### Step 3

Connect the Hot (E1) and Cold (E2) flexible hoses to 1/2" BSP pipework and tighten firmly with a spanner. Ensure hoses do not twist or kink during tightening. Sussex recommends using Stop Cocks/Mini Stops, however, these are not supplied.

Test Mixer and Outlet function, check for leaks.

