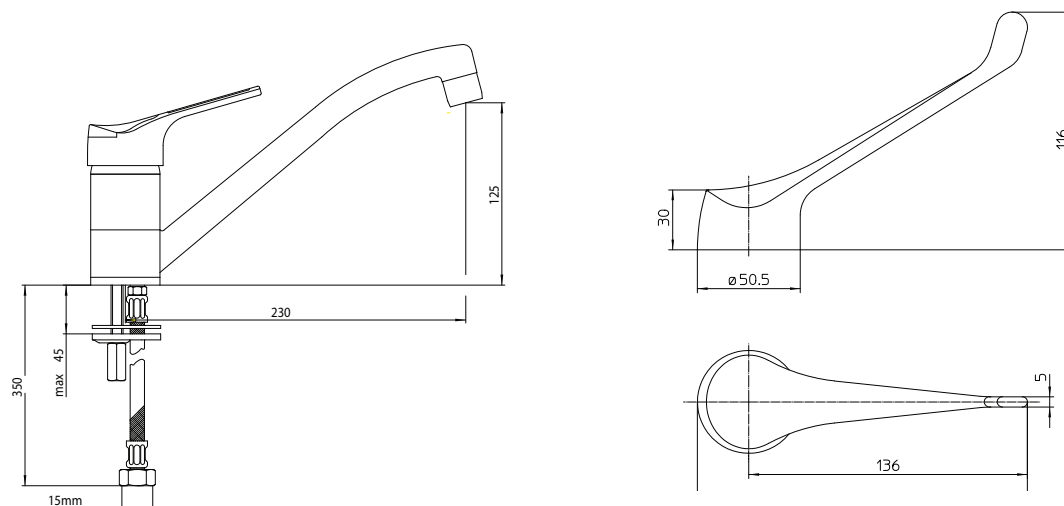


posh

Specification Sheet

POSH SOLUS SINK MIXER WITH 150MM LEVER



SPECIFICATIONS

Recommended Use	Domestic, Hotel & Commercial	
Colour Availability	Chrome	
Pressure Rating	Minimum operating pressure 50 kPa Maximum operating pressure 1000 kPa.	
	<p>Note: As per AS3500 pressure must be limited to 500 kPa on any new home, extension or renovation and any tapware fitted with flow restrictors must be limited to 500 kPa.</p> <p>Note: For best performance and longer life we recommend 350 - 500 kPa.</p>	
Temperature Rating	Maximum continuous working temperature 80° (Recommended 65°) Minimum Temperature 1°	
Suitable Hot Water Units	Storage Tank:	Yes
	Continuous Flow:	Yes
	Gravity Feed:	No
Standards	AS/NZS 3718:2005	

WARRANTY

Warranty - Domestic Use	10 Years
Spare Parts & Labour	12 Months

Please refer to Warranty Page for full Terms and Conditions



CLEANING RECOMMENDATIONS

We recommend the use of soapy water or approved cleaners. This product should not be cleaned with abrasive materials. Damage caused by any improper treatment is not covered by the product warranty - refer to Warranty Conditions.

Disclaimer: Products in this specification manual must by regulation be installed by licensed and registered trade people. The manufacturer/distributor reserves the right to vary specifications or delete models from their range without prior notification. Dimensions and set-outs listed are correct at time of publication however the manufacturer/distributor takes no responsibility for printing errors.

Published 25/02/2021

