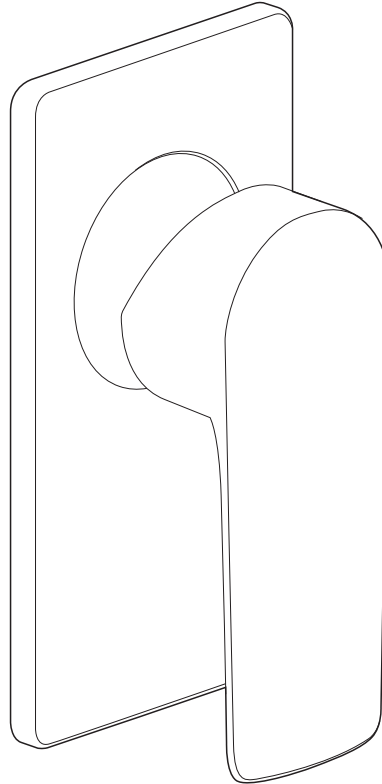
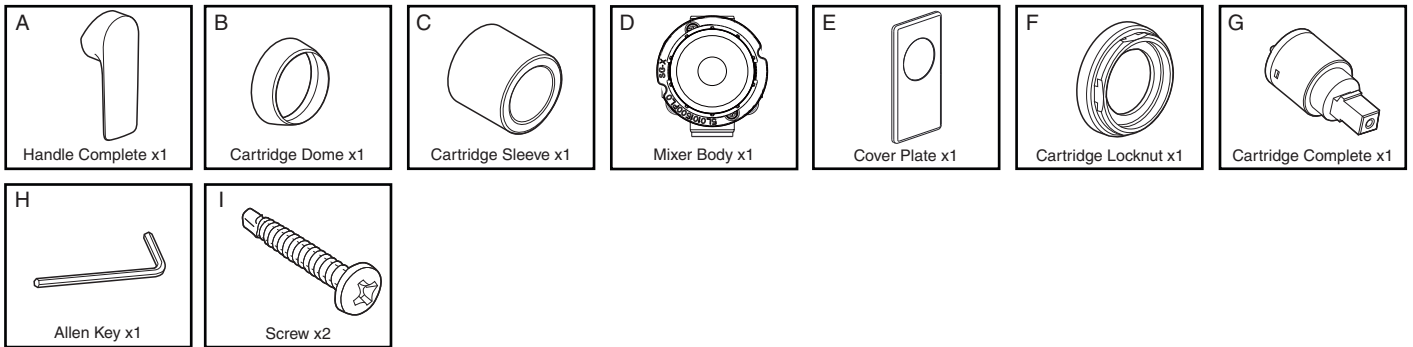


Milli

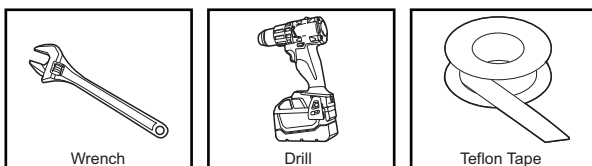
Milli Trace Shower Mixer



Components Supplied



Tools Required



Installation Instructions



Mixer must be installed to the requirements of AS/NZS 3500 by a qualified plumber. The mixers are factory tested and sealed so as to give the best performance.



Milli Trace Shower Mixer

Installation



Flush out new pipe work prior to connecting the new mixer.

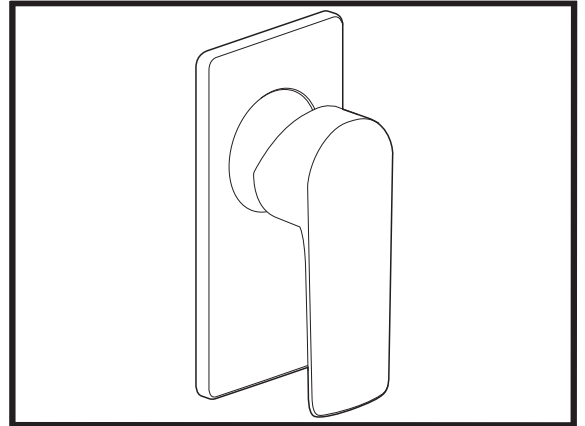


During installation protect the exposed finish surface by using the plastic cover provided. Please pay attention to the minimum/maximum depth.



In a typical installation, the mixer is mounted on a timber/metal noggin and secured using suitable screws through the mounting lugs.

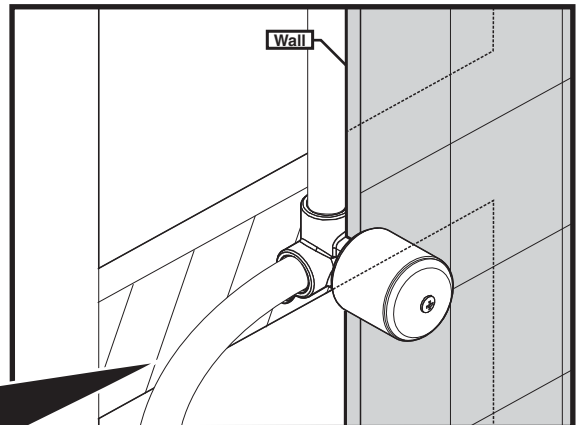
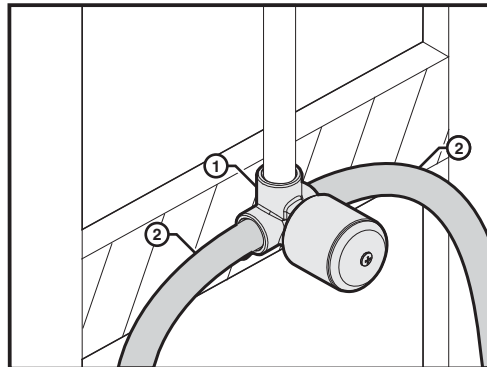
Note: This tap is suitable for high pressure applications where both hot and cold water supply pressures are at 150kpa or above.



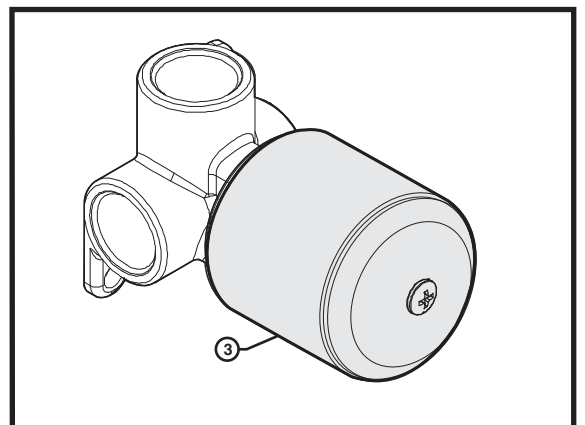
- Connect mixer (1) to hot and cold water supply (2).
- Pressure check all connections.



Leaking joints are not covered by the warranty.



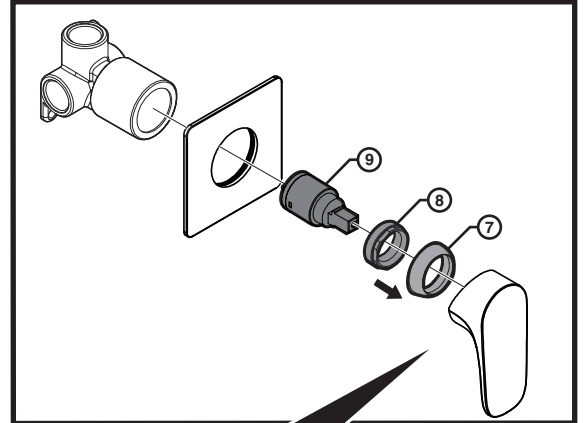
- When the wall is finished (eg. tiled), remove the protective covers (3).



Milli Trace Shower Mixer

Servicing - Replacement of Cartridge

- Remove decorative cover (4) and unscrew the grub screw (5) using an allen key.
- Lift off the handle (6) and remove the cartridge dome (7), unscrew the brass locking nut (8) and lift out the cartridge (9).
- Replace the cartridge (9), replace the locking nut (8), replace the cartridge dome (7) and replace the handle (6).
- Tighten grub screw (5) and push in decorative cover (4).



Important



Check for water leaks after installation

Important

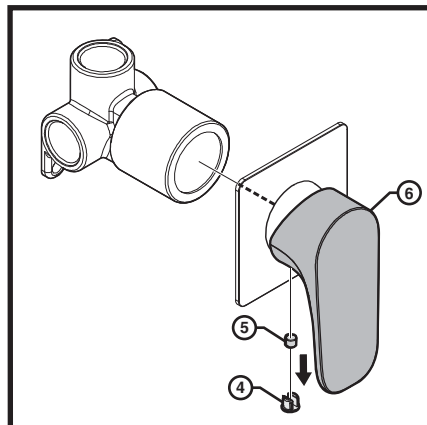


Maximum continuous operating temperature is 70 degrees.

Important



Recommended pressure range is 150Kpa-500Kpa.



Care Details

We recommend the use of soapy water or approved cleaners. This product should not be cleaned with abrasive materials. Damage caused by any improper treatment is not covered by the product warranty. Refer to Warranty Conditions

Plumbers, please ensure a copy of the installation instruction is left with the end user for future reference.

