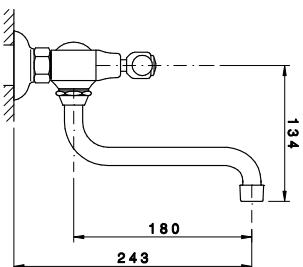
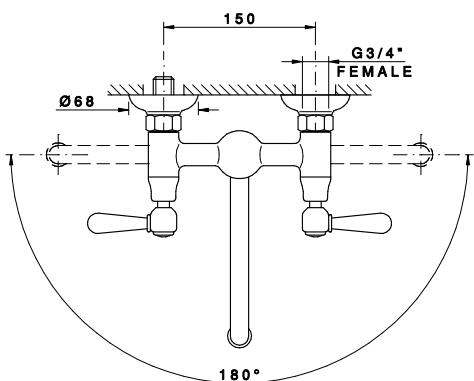
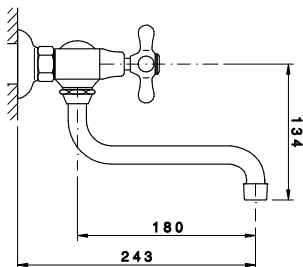
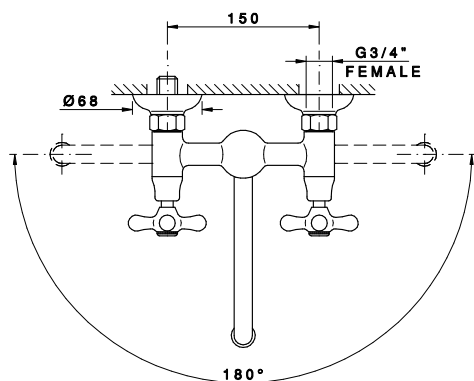


# NICOLAZZI

## CLASSIC PROVINCIAL EXPOSED WALL BRIDGE SET



### SPECIFICATIONS

<b>Recommended use</b>	Domestic, hotel and commercial
<b>Colour availability</b>	Chrome Plated Bright Nickel Raw Brass
<b>Pressure rating</b>	Maximum continuous operating pressure 500 kPa. Note: For best performance and longer life we recommend 300 kPa.
<b>Temperature rating</b>	Maximum continuous working temperature 65°
<b>Suitable Hot Water Units</b>	Storage tank: Yes Continuous Flow: Yes Gravity Feed: Not recommended
<b>Standards</b>	AS/NZS 3718

Dimensions are nominal measurements only

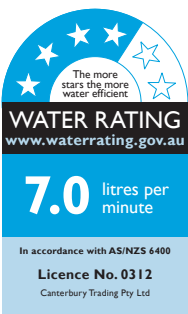
To see the complete Nicolazzi range go to [www.reece.com.au/bathrooms](http://www.reece.com.au/bathrooms)

### CLEANING RECOMMENDATIONS

We recommend the use of soapy water or approved cleaners.

This product should not be cleaned with abrasive materials.

Damage caused by any improper treatment is not covered by the product warranty- refer to Warranty Conditions



**Disclaimer:** Products in this specification manual must by regulation be installed by licensed and registered trade people. The manufacturer/distributor reserves the right to vary specifications or delete models from their range without prior notification. Dimensions are nominal measurements only. Dimensions and set-outs listed are correct at time of publication however the manufacturer/distributor takes no responsibility for printing errors.

Tech Page Version 1

