



Scan QR code to view online



features and benefits

- Sits flush with benchtop
- 1.2mm grade 304 satin stainless
- Seamless, hygienic design
- Supplied with 50mm waste outlet
- Fully reversible
- Custom sizes available
- Optional extended hob for tapware
- Available integrated into stainless benchtops

about

The *BRITEX Stainless Steel Baby Bath* is manufactured from 1.2mm grade 304 satin finish stainless steel. Stainless steel baby baths are supplied complete with 50mm waste outlet and can be inset into a bench top or integrated into a benchtop if required. Custom sizes available upon request.

sample spec. text

BRITEX S.S. Baby Bath - 650mm L x 490mm Wide x 215mm Deep O/A. Grade 304 stainless steel. 32mm flange to all sides supplied complete with fixing studs to underside and 50mm waste outlet - Product Code BB1

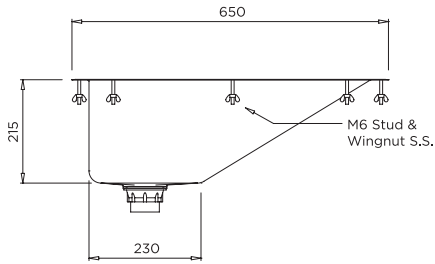
*RED TEXT may denote a **variable** where one option only is to be selected, a **nominal dimension** that needs to be specified, or an **optional feature** that can be removed if not required. Please refer to the back of this page for additional specification details and options.

VISIT BRITEX.COM.AU TO DOWNLOAD BIM FILES, CAD DRAWINGS AND THE MOST CURRENT PRODUCT LITERATURE.

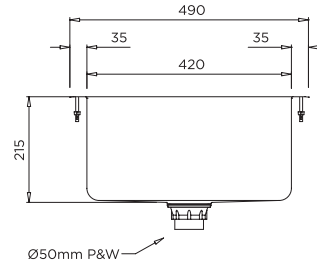
BABY BATH

PRODUCT CODE

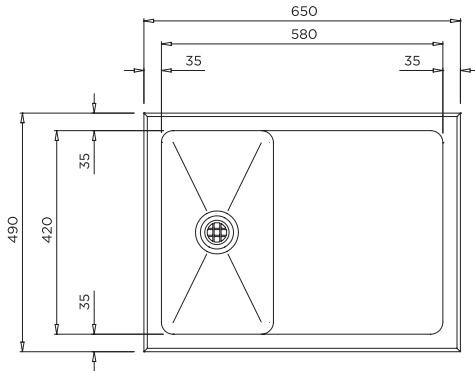
BB1



MODEL BB1 Side Elevation



MODEL BB1 Front Elevation



MODEL BB1 Plan

When specifying this product please include:

- Product **Name** and **Code**
- Product **Features**
- Product **Dimensions**

specifying guide

options

- Integrated into stainless benchtops
- Fascia style available
- Extended hob to one side to accommodate tapware

VISIT BRITEX.COM.AU TO DOWNLOAD BIM FILES, CAD DRAWINGS AND THE MOST CURRENT PRODUCT LITERATURE.