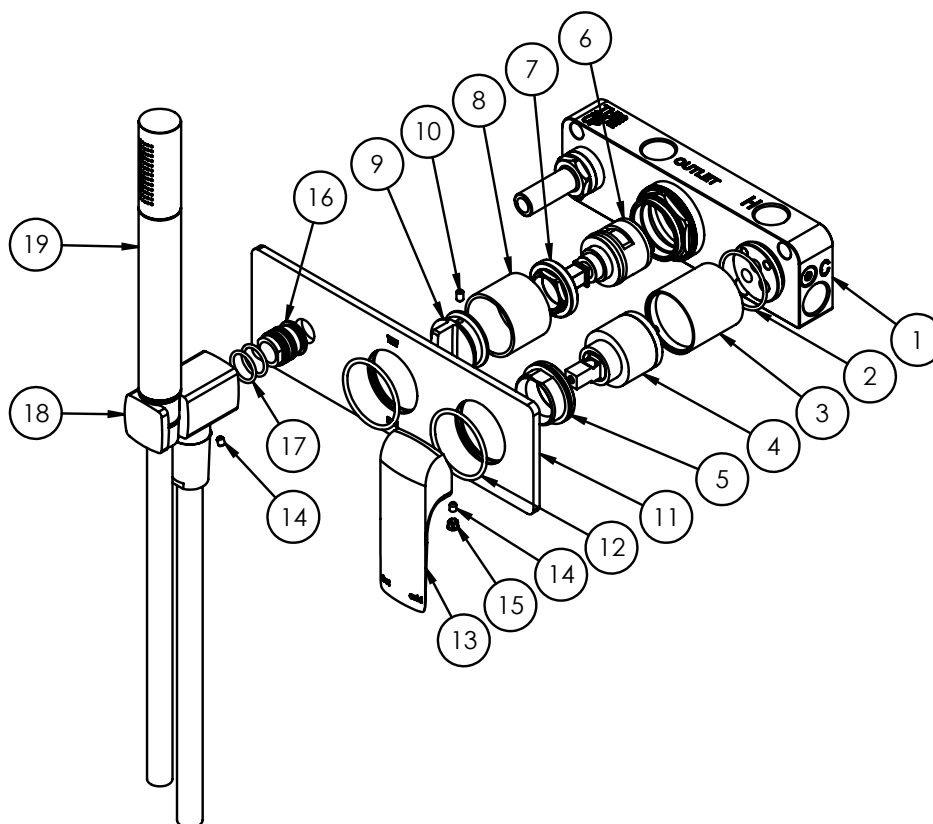




Milli Glance Wall Shower System (3*) Brushed Nickel



ITEM NO.	DESCRIPTION	PART NUMBER/SPECIFICATION	QTY.
1	Breach Assembly	SA5785	1
2	O Ring	ID33 X 2.0	1
3	Wall Mixer Sleeve	PR2920	1
4	35mm Cartridge	KCG-KO35A	1
5	Lock Nut Dome Sleeve	PR2921	1
6	Two Way Diverter 31mm	K31ADB-8	1
7	Diverter Locknut	PR5770	1
8	Diverter Sleeve	PR5771	1
9	Diverter Lever	PR5772	1
10	Point End	GSC M4 X 6	2
11	Dress Plate	PR5789	1
12	O Ring	ID39 X 2.5	2
13	Wall Mixer Handle	PR1672	1
14	Grub Screw Plain Cup	M4 X 5	3
15	Screw Cap ABS	PR2917	1
16	Wall Spout Adaptor	PR1680	1
17	O Ring	ID16 X 2.0	2
18	Shower Bracket Assembly	SA5777	1
19	Hand Shower and Hose Assembly	SA5782	1