

Venice 600 Semi-Inset Basin Solid Surface White

VENICE BASIN INSTALLATION INSTRUCTIONS

NO claims for damages / defects will be recognised after installation.

Prior to installation it is important to unpack and inspect your products to ensure no damage has occurred in transit and that the product IS CORRECT.

If damage has occurred, or a visible defect exists, do not proceed with installation and contact supplier IMMEDIATELY.

Step 1. Prepare bench top surface and make sure it's clean and dry. Using template provided ensure cut out suits basin. See figure 1.

Step 2. Apply a neat generous bead of adhesive silicone sealant around the base flat of basin. See figure 2.

Step 3. Immediately place the basin on to the cabinet the right way up and position over cut-out.

Step 4. Once plumbing and trap are in position, place waste through the basin. With seals in place, hand tighten lock-nut to secure waste in basin. See figure 3.

Step 5. Clean excess silicone around base of basin and leave to dry, following silicone instructions.

Note: Bottle trap is not included with basin

Figure 1.

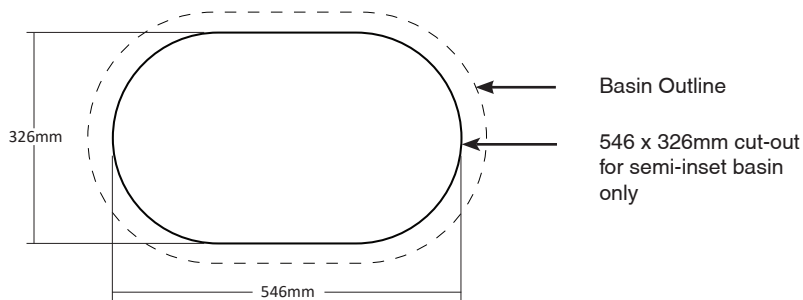


Figure 2.

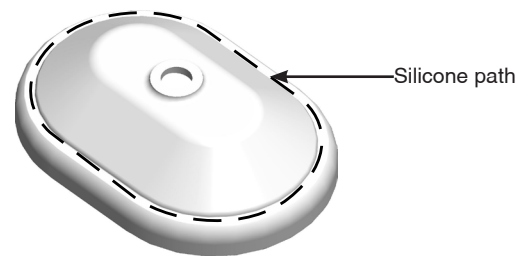
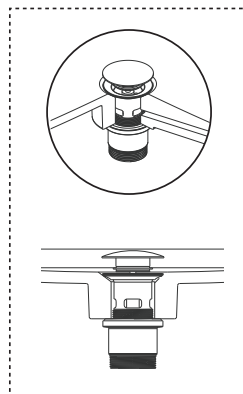
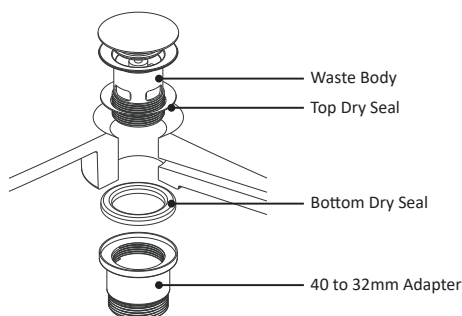


Figure 3.

*Pop up plug and waste is indicative



Note: Drawings are only indicative

Plumbers, please ensure a copy of the installation instructions is left with the end user for future reference

Venice 600 Semi-Inset Basin Solid Surface White

DETAILED CLEANING INSTRUCTIONS

Always start your cleaning routine with the basic clean and move to a deep clean if necessary.

Basin Basic Clean: Spills should be cleaned promptly. Clean with a mild detergent or soapy water and a soft, sponge or non-scratch scourer*¹.

Basin Deep Clean: For a deep clean and to remove cosmetics, ink and other colour agents that may leave marks on the surface use a diluted very mild abrasive cleaner* with a soft cloth in light circular motions. For stubborn marks or staining a light buff in circular motions using diluted very mild abrasive* cleaner with non-scratch scourer *¹ will generally restore the finish.

Basin Intense Clean/Repair: For extreme marks and light scratches a very light buff in circular motions using the fine grade sand/glass paper¹ will restore the surface. A heavier grade of sandpaper will scratch the surface, which can be removed by then using a light sand paper.

Softskin Basic Clean: Clean with warm soapy water or non-acidic, non-abrasive, mild detergent and soft cloth. Finish by cleaning off detergents with a soft wet cloth and towel dry.

Important notes:

For best results finish by wiping surface clean of all detergents and dry with a soft clean cloth.

Regular cleaning will assist to keep your solid surface looking fantastic and reduce wear and dirt build up.

For consistent appearance with your solid surface, it is best to give the entire surface of the product the same clean/sand. Avoid applying excessive pressure on clean/rub the same area for a prolonged period of time, unless repairing a scratch or damage.

Never use sharp products such as steel wool or aggressive, commercial grade / strong cleaners or chemicals (e.g. acetone, Trichloroethylene, acids and caustic soda) as these may damage and scratch the surface.

Only use your OMVIVO basin cleaning instructions on your OMVIVO basin as these cleaning methods may cause damage to other products, materials and finishes which will not be covered by your warranty.



Regular cleaning

Use a soft cloth or sponge and mild detergent for regular cleaning



Intense clean/repair

Use finest grade sand/glass paper applying only light pressure to restore surface



Do not

Use heavy duty detergents, harsh chemicals, rough scourers or steel wool.

* Always test 'non-scratch' and 'mild abrasive' products in a non-conspicuous area first to ensure suitability as brands can differ.

¹Your basin has been supplied with a white non-scratch scourer and a fine grade sanding pad.

Plumbers, please ensure a copy of the installation instructions is left with the end user for future reference