

Signature Wall Hung Toilet Pan with SpaLet (4*)

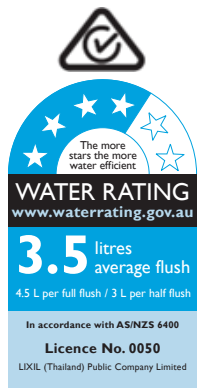
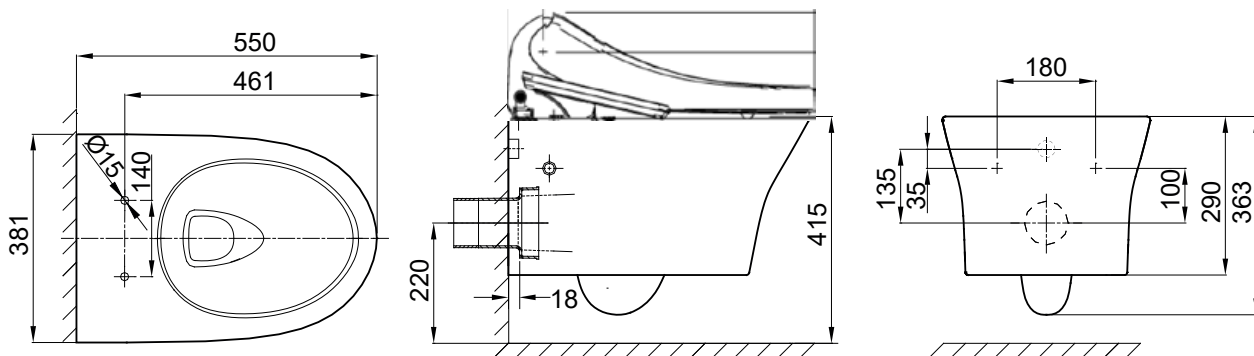
SPECIFICATIONS

Recommended Use	Domestic, Hotel & Commercial
Material	Pan: Vitreous China Seat: Urea
Colour	White
Weight	Pan: 28kg Seat: 5.9kg
Inlet Valve Pressure Rating	500kPa
Outlet Type	P trap only
Pan Fixing	Fixed to wall using solid cavity wall bracket (supplied).
Rim Configuration Technologies - pan	Hygiene Rim - Double Vortex Flushing - Aqua Ceramic - ComfortClean
Technologies - e-bidet	- Adjustable seat and water temperature - Adjustable dryer temperature - Dual nozzle - One touch power saver
P Trap Setout	- 220mm recommended

WARRANTY

Warranty - Domestic Use	10 Years VC, 2 Years SpaLet
Spare Parts & Labour	12 Months

Please refer to Warranty Page for full Terms and Conditions



Dimensions are nominal measurements only.

Disclaimer: Products in this specification manual must by regulation be installed by licensed and registered trade people. The manufacturer/distributor reserves the right to vary specifications or delete models from their range without prior notification. Dimensions are nominal measurements only. Dimensions and set-outs listed are correct at time of publication however the manufacturer/distributor takes no responsibility for printing errors.

Published 15/09/2022

