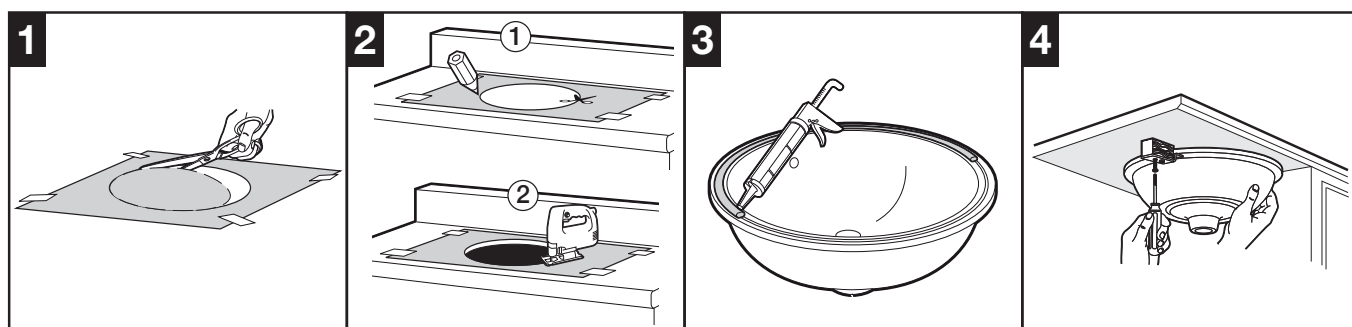
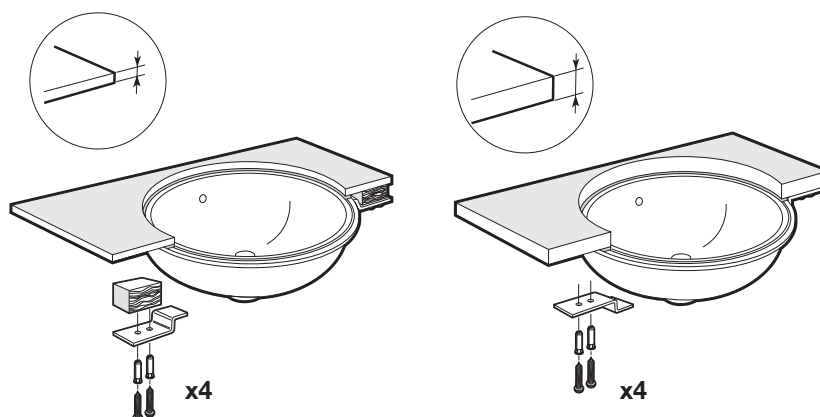




Roca Berna Undercounter Basin 560 x 420mm



INSTALLATION INSTRUCTIONS:

- Cut out benchtop as per template supplied
- Fit waste to basin ensuring that it is siliconed right around rim
- Position basin underneath benchtop and mark out position for fixing clips
- Apply sealant to rim of basin and position underneath benchtop
- Install securing clips and remove excess sealant

NOTE:

- If wall mounted tapware is to be used, consideration should be made to the length of the outlet and positioning of the basin on the bench top
- If tapware is to be bench mounted, allow a suitable bench top width for fitting the tapware

CLEANING RECOMMENDATIONS:

We recommend the use of soapy water or approved cleaners. This product should not be cleaned with abrasive materials. Damage caused by any improper treatment is not covered by the product warranty. Refer to Warranty Conditions

Plumbers, please ensure a copy of the Installation Instructions are left with the end user for future reference