

Henden Inverter Heat Pump

Harness the power of this high performing heat pump. Built with inverter technology for energy efficiency and designed for super quiet operation, this sleek and compact heat pump is perfect for Australian residential pools.

- > Intuitive touch screen controller for ease of use
- > Twisted titanium heat exchanger for longevity
- > Full DC Inverter Compressor for increased efficiency
- > Built in timer modes for user flexibility
- > Uses environmentally friendly R32 Refrigerant Gas
- > Condensation hose port for simple drainage



Features

- > **Built with full DC Inverter Compressor**
For quick heating and optimal performance when you need it.
- > **Quiet Operation**
For seamless integration into each residential space.
- > **Sleek Design**
Fits easily in any backyard space, whether it's next to the pool or down the side of the house.
- > **Twisted Titanium Heat Exchanger**
Allows for optimal heat transfer and increased operating efficiency. Featuring a strong anti-corrosive coating, this heat exchanger works in all levels of water chemistry.
- > **Energy Efficient**
A performance-focused design using R32 refrigerant means energy savings for your customers, resulting in lower running costs.
- > **Wi-Fi Enabled**
Built-in Wi-Fi and app compatibility makes managing the heat pump simple.



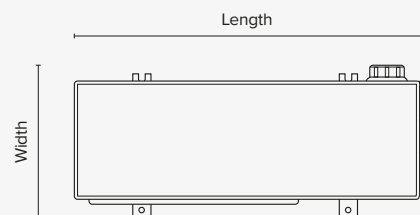
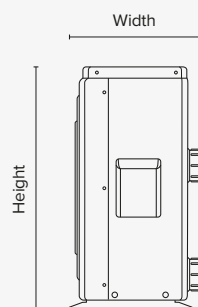
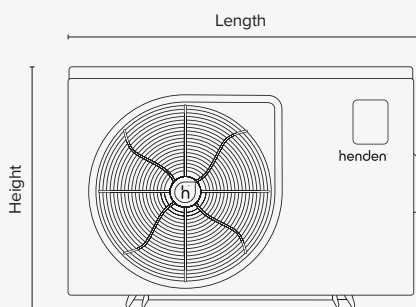
Performance						
Heater Model	9kW	14kW	17kW	20kW	24kW	28kW
Performance at conditions: Air 27°C / Water 26°C / Humidity 80%						
Heating capacity (kW)	9.0	14.2	17.0	20.1	24.0	28.0
COP range	10.6 - 5.7	11 - 6	10.8 - 5.9	10.8 - 6	10.8 - 6.1	11.0 - 6.3
Performance at conditions: Air 15°C / Water 26°C / Humidity 70%						
Heating capacity (kW)	6.2	9.8	11.5	13.8	16.0	19.5
COP range	6.2 - 4.1	6.6 - 4.3	6.3 - 4.1	6.4 - 4.0	6.4 - 4.3	6.5 - 4.4
Performance at conditions: Air 35°C / Water 28°C / Humidity 80%						
Cooling capacity (kW)	3.4	5.4	6.1	7.7	8.8	10.8

Technical Specifications						
Heater Model	9kW	14kW	17kW	20kW	24kW	28kW
Power supply	230V 1Ph	230V 1Ph	230V 1Ph	230V 1Ph	230V 1Ph	230V 1Ph
Rated input power (kW)	0.30-1.51	0.46-2.28	0.56-2.80	0.69-3.45	0.74-3.72	0.89-4.43
Rated input current (A)	1.30-6.57	2.00-9.91	2.44-12.17	3.00-15.00	3.22-16.17	3.87-19.3
Casing	ABS	ABS	ABS	ABS	ABS	ABS
Water Connection (mm)	40	40	40	40	40	40
Sounds pressure 1m dB(A)	20-45	35-70	40-75	50-90	60-110	65-120
Ideal water flow (L/min)	50	75	80	100	140	180
Operating air temperature	0-43°C	0-43°C	0-43°C	0-43°C	0-43°C	0-43°C

Dimensions						
Heater Model	9kW	14kW	17kW	20kW	24kW	28kW
Length x width x height	903 x 339 x 654mm	903 x 339 x 654mm	991 x 347 x 654mm	991 x 347 x 755mm	991 x 347 x 755mm	1122 x 415 x 958mm
Weight	46kg	49kg	60kg	68kg	68kg	90kg



Find the perfect size using our selector tool.



Heat Exchanger