

hideaway

The Gap Sensor-Flush Urinal 0.8Litre (6*)

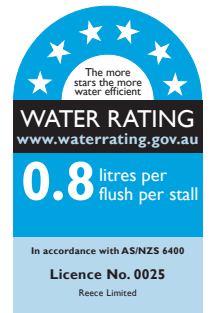
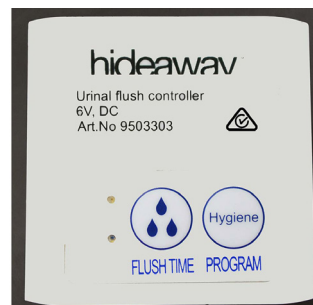
SPECIFICATIONS

Recommended Use	Domestic, Commercial, Hotel
Urinal	Vitreous China Roca The Gap Urinal
Colour	White
Water Inlet	Concealed rear inlet DN20 and kee seal
Outlet	Plastic Trap is supplied with kee seal for push-in connection to DN50 waste pipe
Application	Inwall, suitable for minimum cavity wall thickness of 90mm, Induct, Ceiling
Flush Pipe Height	Maximum 2000mm from urinal inlet Minimum 500mm from urinal inlet
Urinal Fixing	L shape brackets supplied
Template	Included in packaging
Water Saving	WELS 6 star rating (0.8L/flush)
Power Supply	Input 240V AC 50Hz 0.3A Output 6V 500mA
Easy to Adjust	Push button flush volume adjustment based on the dynamic supply pressure
Easy to Install	Supplied complete with all mounting hardware and cables
Sensor Technology	Prevents false detection
Normal Mode	In Normal mode the unit will flush after every use
Eco Mode Setting	Additional water conservation for high traffic bathrooms. A flush is only activated after the third user has visited or 15 minutes has elapsed, whichever comes first.
Saver Mode	When high frequency usage is detected in Normal mode, the unit will switch to Saver mode to conserve water.
Hygienic	Urinal automatically flushes touch free after use.
Janitors Flush	Triggers an automatic hygiene flush after 48 hours of non-use.
Over-flow Protection	Sensor can detect blockages and will stop flushing to prevent urinal overflow
Fault finding	Self-diagnostic fault finding
Technical Support	If you have any questions or queries during installation please contact Tech-Support for phone assistance free call 07 3875 2465 We are happy to assist you.

WARRANTY

Warranty - Domestic Use	10 Years
Spare Parts & Labour	12 Months

Please refer to Warranty Page for full Terms and Conditions



Disclaimer: Products in this specification manual must by regulation be installed by licensed and registered trade people. The manufacturer/distributor reserves the right to vary specifications or delete models from their range without prior notification. Dimensions are nominal measurements only. Dimensions and set-outs listed are correct at time of publication however the manufacturer/distributor takes no responsibility for printing errors.

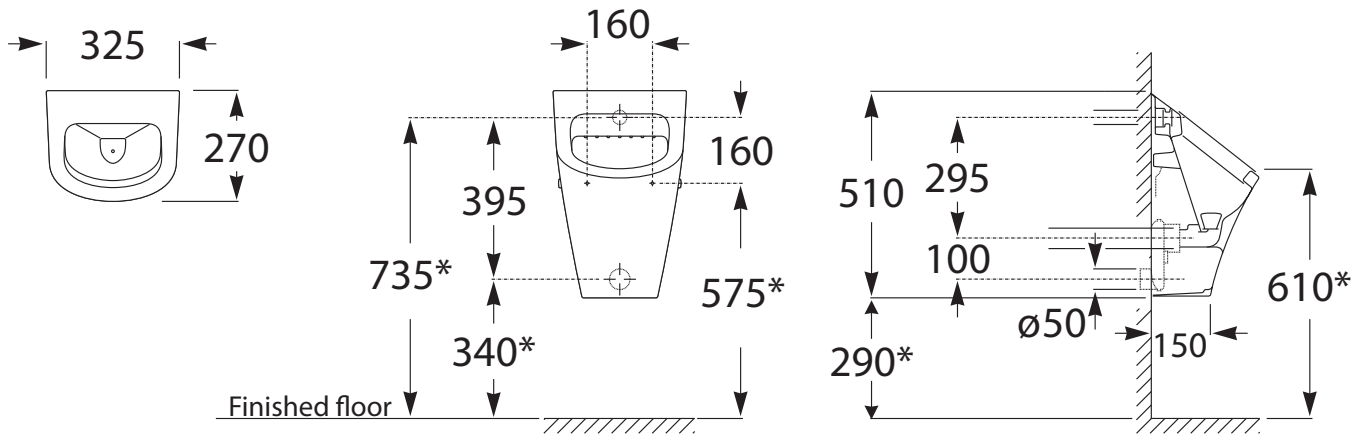
Published 12/07/2019

To see the complete Hideaway range go to www.reece.com.au/bathrooms

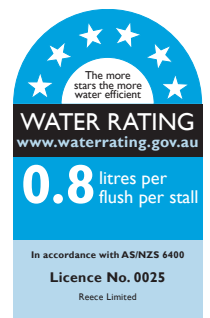


hideaway

The Gap Sensor-Flush Urinal 0.8Litre (6*)



* For disabled dimensions recommend to reduce measurements from finished floor by 210mm



Dimensions are nominal measurements only.

Disclaimer: Products in this specification manual must by regulation be installed by licensed and registered trade people. The manufacturer/distributor reserves the right to vary specifications or delete models from their range without prior notification. Dimensions are nominal measurements only. Dimensions and set-outs listed are correct at time of publication however the manufacturer/distributor takes no responsibility for printing errors.

Published 12/07/2019

To see the complete Hideaway range go to www.reece.com.au/bathrooms

