

Posh Solus MK2 Sink Mixer Tap with Pull Out Chrome (5 Star)

Note

Mixer must be installed by a qualified plumber.

Important

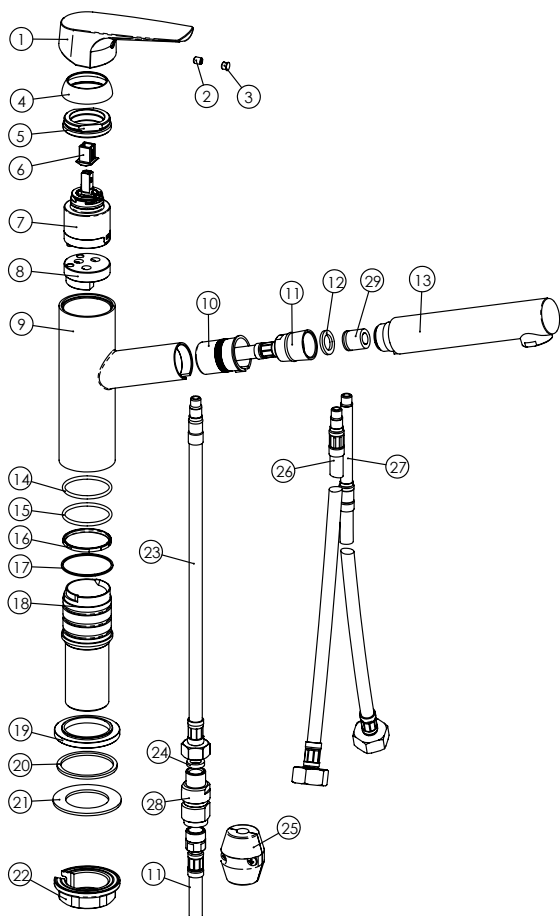
Your mixer comes to you already factory assembled and tested. We do not recommend the dismantling of any internal part of the mixer. The mixers are factory tested and sealed so as to give the best performance.

1. Please flush out new pipe work prior to connecting the new mixer.
2. All mixers should be installed with isolating stop cocks (Arco).
3. In some areas where the incoming water exceeds 500kpa, an approved pressure limiting device must be installed. Equal pressure for hot and cold water supply is required.
4. Mixers are recommended for use on mains pressure and instantaneous systems only.
5. Place the base washer into position (19).

6. Fit the tap body (9) into the basin hole making sure first that the flexible connectors (26, 27) are firmly tightened into base of the body.
7. Do not use teflon tape on threads.
8. From underneath apply your washer (21) prior to fitting the locking nut (22).
9. Lock the mixer onto the sink or benchtop by tightening the plate (22).

SERVICING - REPLACEMENT OF CARTRIDGE

1. Lift off acrylic indicator cap (3) and unscrew the locking grub screw using allen key.
2. Lift off handle (1) and remove cover dome (4), unscrew brass locking nut (5) and lift out cartridge (7).
3. Replace cartridge (7), replace brass locking nut (5) and replace handle (1). Tighten grub screw (2) and push in indicator cap (3).



EXPLODED VIEW

Item	Description
1	Handle
2	Grub screw
3	Indicator button
4	Dome
5	Locking Nut
6	Thermal cap
7	Cartridge
8	Internal adaptor
9	Mixer body
10	Insert
11	Hose
12	Rubber washer
13	Spray handle
14	O-Ring
15	O-ring
16	Teflon o-ring
17	Friction o-ring
18	Mixer body internals
19	Base dress ring
20	Rubber washer
21	Rubber washer
22	Lock nut
26-27	Flex tails (hot and cold)