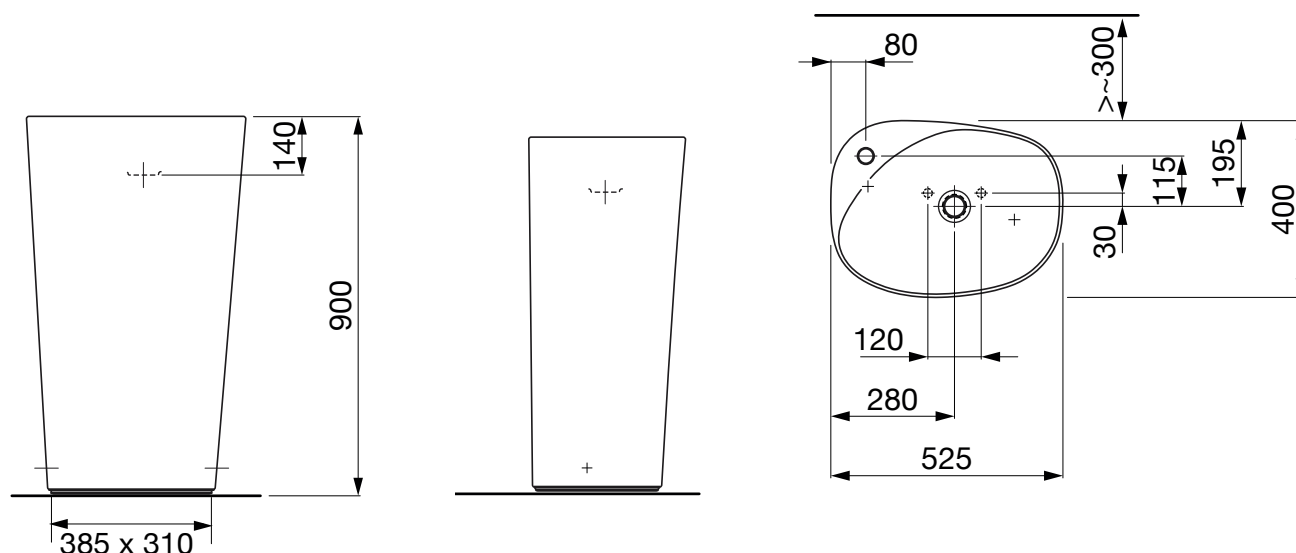


LAUFEN

Bathroom Culture since 1892  www.laufen.com

PALOMBA FLOOR STANDING BASIN



Dimensions are nominal measurements only

SPECIFICATIONS

Recommended use	Domestic, Hotel and Commercial
Colour	White
Finish	LAUFEN Clean Coat
Weight	45kg
Capacity	3.3L
Taphole availability	1 Taphole only
Integrated overflow	No
Plug & waste	Suits 32 x 40mm non-overflow waste (not supplied)
Installation	S-Trap Only
Fixing	Fixed to the floor using fixing set provided



To see the complete LAUFEN range go to www.reece.com.au/bathrooms

CLEANING RECOMMENDATIONS

We recommend the use of soapy water or approved cleaners.

This product should not be cleaned with abrasive materials.

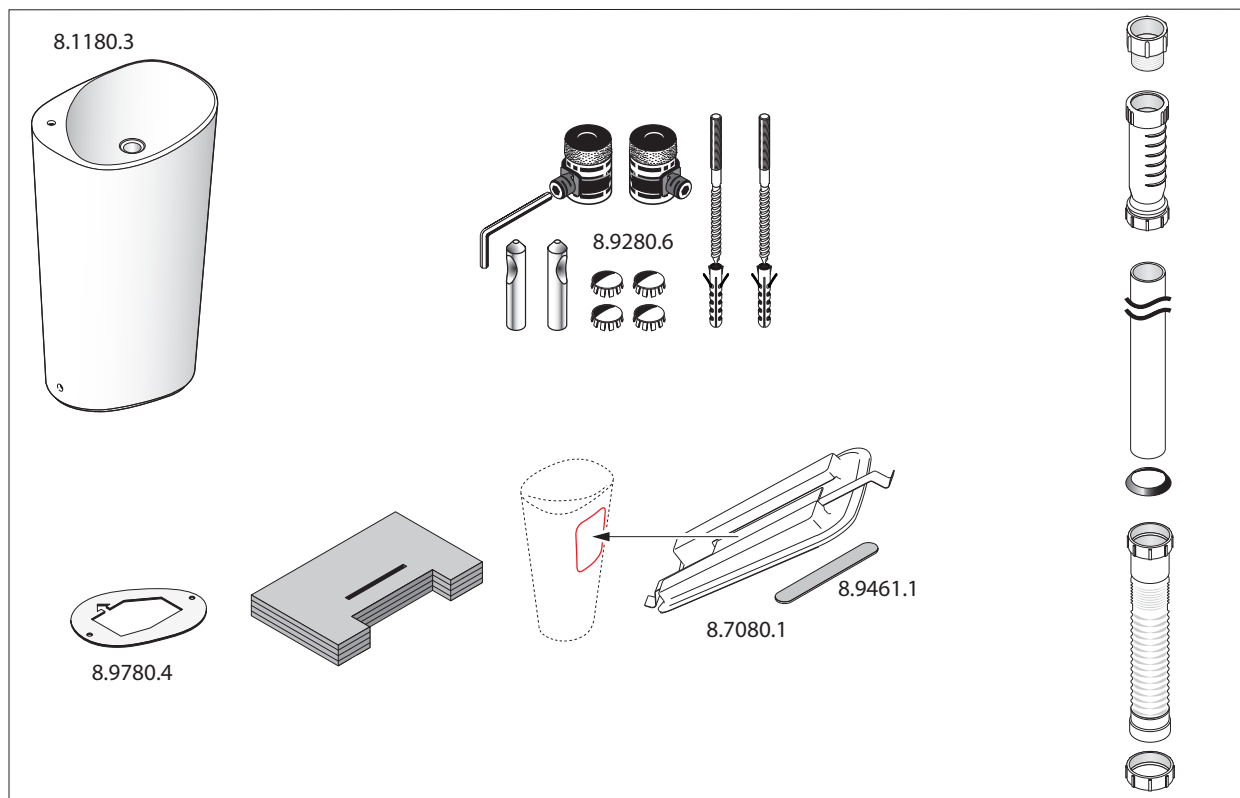
Damage caused by any improper treatment is not covered by the product warranty. Refer to Warranty Conditions.

Disclaimer: Products in this specification manual must by regulation be installed by licensed and registered trade people. The manufacturer/distributor reserves the right to vary specifications or delete models from their range without prior notification. Dimensions are nominal measurements only. Dimensions and set-outs listed are correct at time of publication however the manufacturer/distributor takes no responsibility for printing errors.

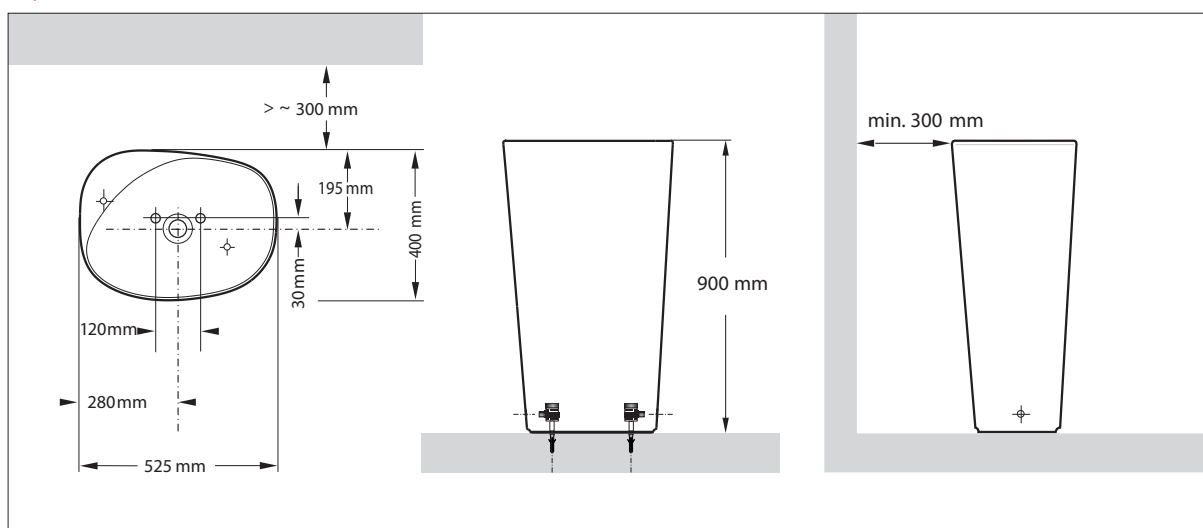
Tech Page Version 1

PALOMBA FLOOR STANDING BASIN

SPARE PARTS

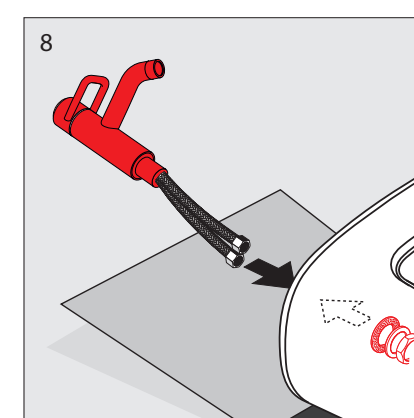
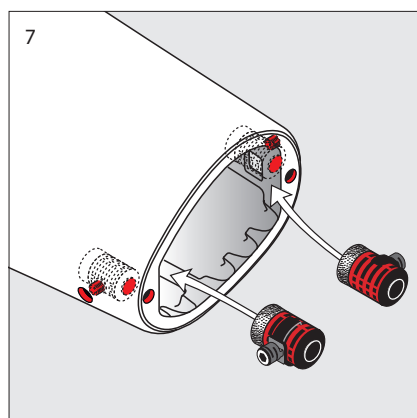
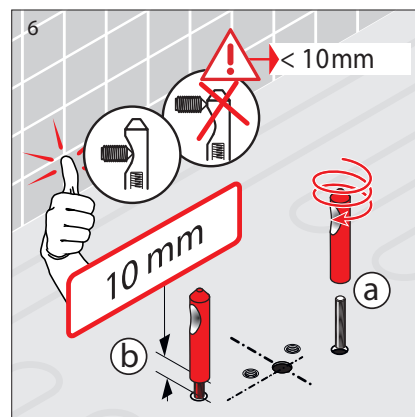
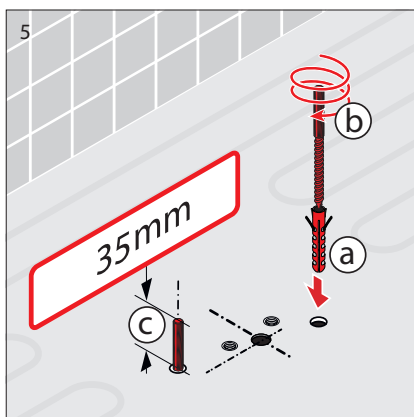
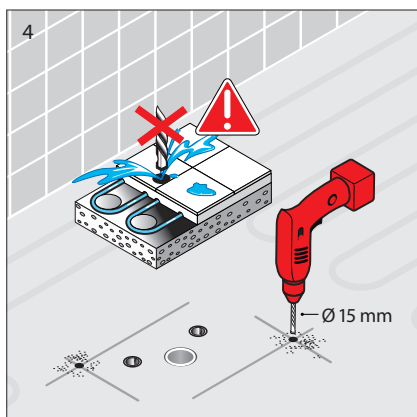
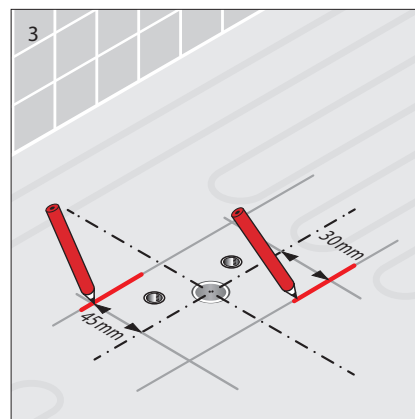
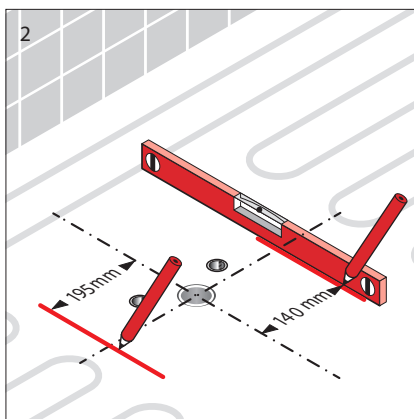
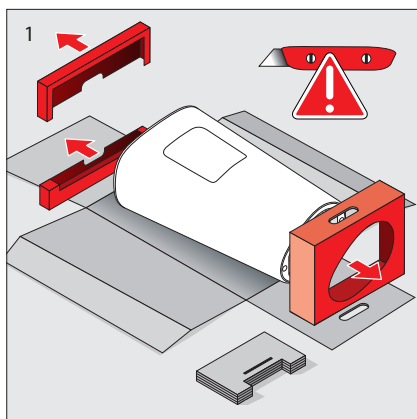


Preparation



PALOMBA FLOOR STANDING BASIN

INSTALLATION INSTRUCTIONS



LAUFEN

Bathroom Culture since 1892  www.laufen.com

PALOMBA FLOOR STANDING BASIN

Please note: modified waste set up to suit Australian plumbing requirements



Fig. 1: Basin with waterless trap (provided) connection to 40mm trap adaptor (provided) through access cavity.



Fig. 3: Access under basin showing connection of flexible waste hose (provided) to 40mm PVC DWV in floor



40mm DWV PVC (not provided) to be cut and fitted by plumber

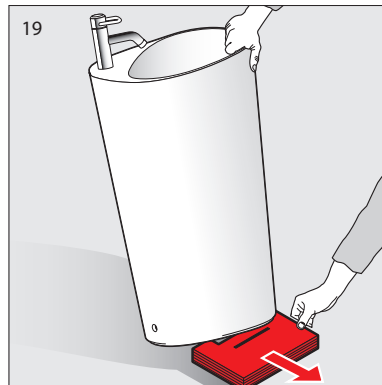
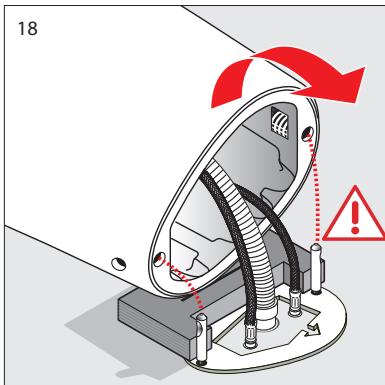
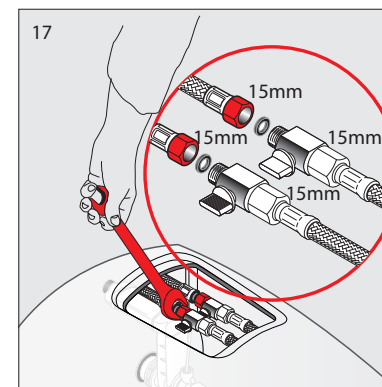
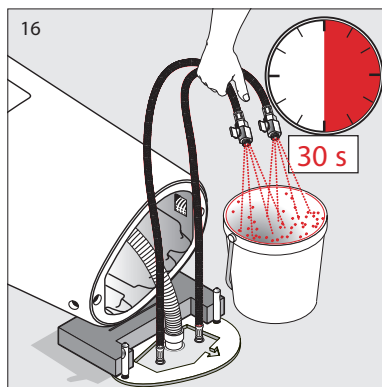
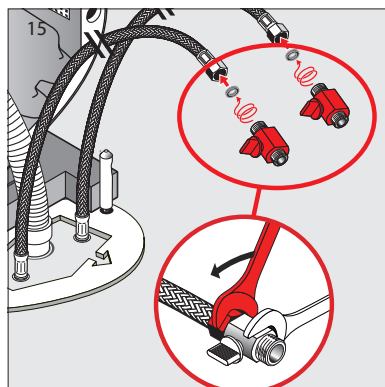
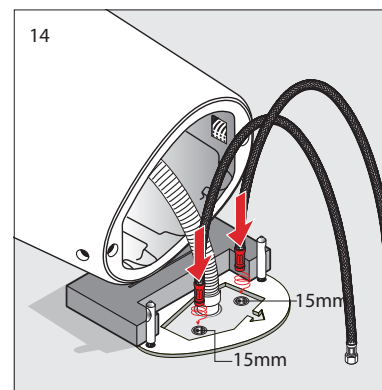
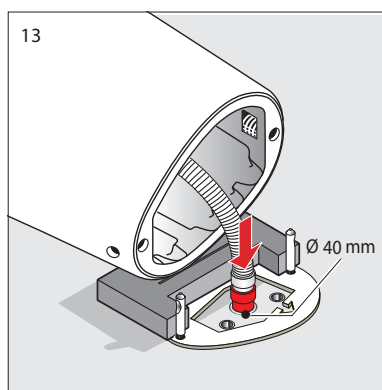
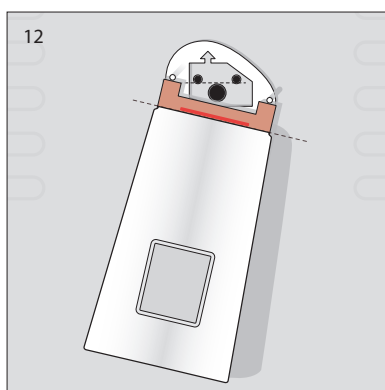
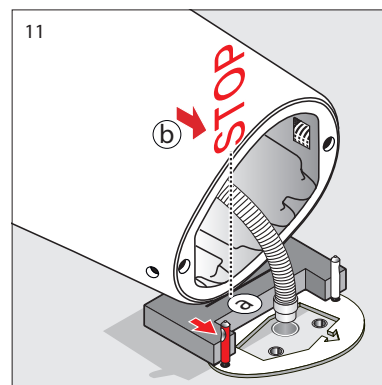
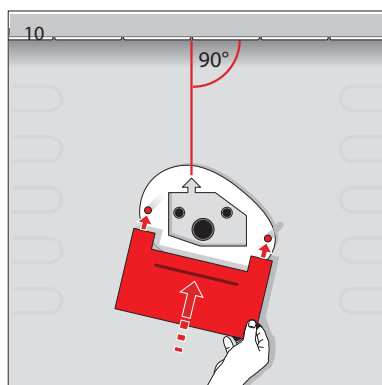
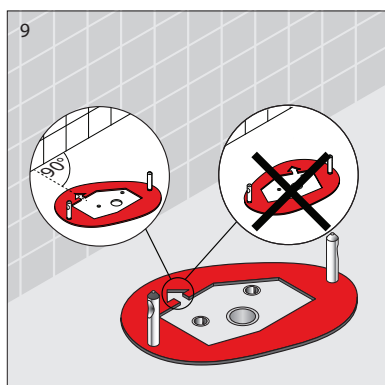
40mm pipe joiner

Fig. 2: Parts required between waterless trap and 40mm PVC DWV in floor.

LAUFEN

Bathroom Culture since 1892  www.laufen.com

PALOMBA FLOOR STANDING BASIN INSTALLATION INSTRUCTIONS

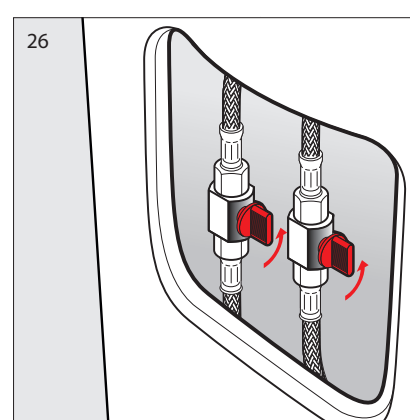
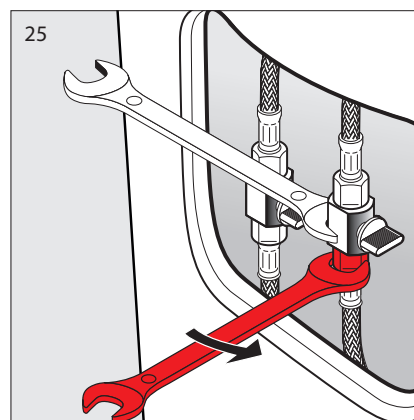
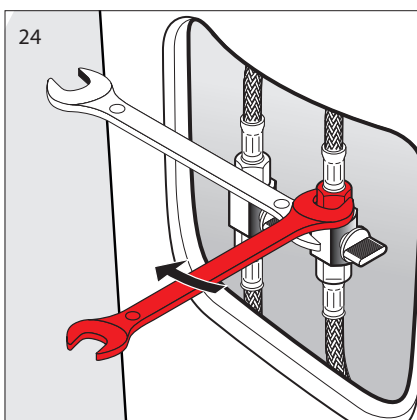
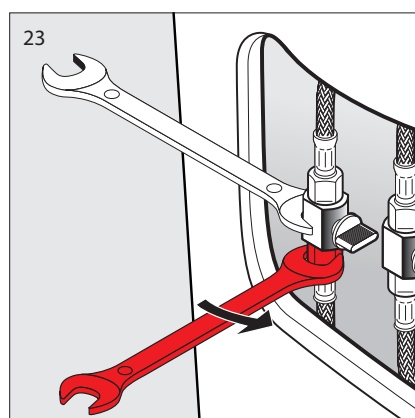
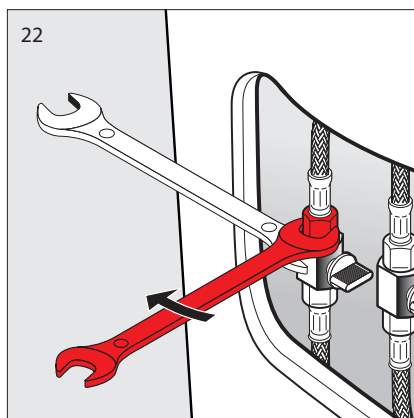
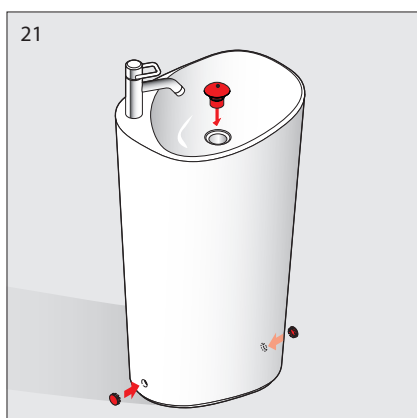
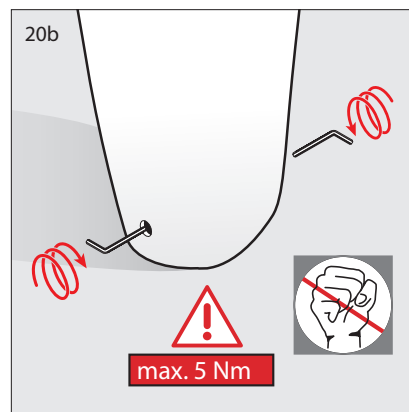
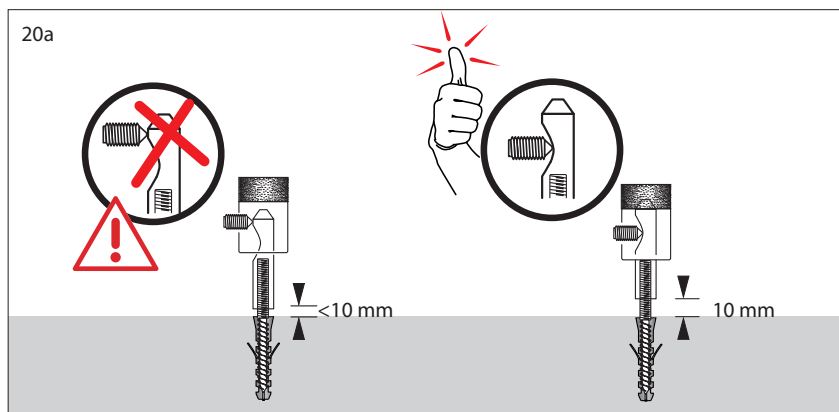


LAUFEN

Bathroom Culture since 1892  www.laufen.com

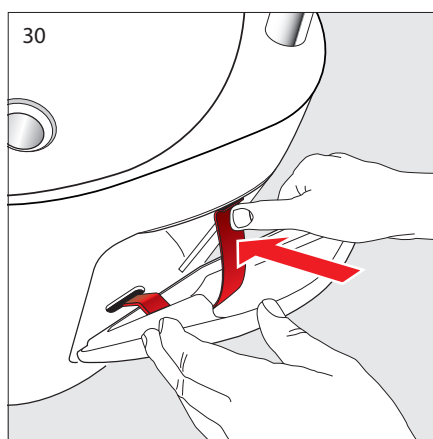
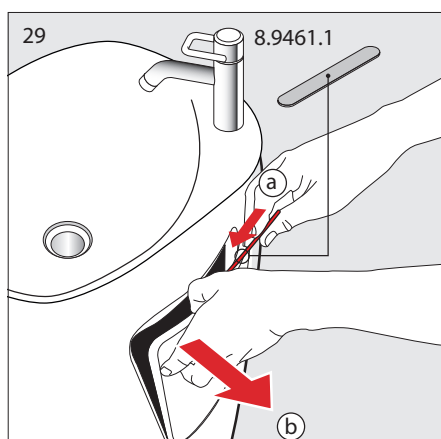
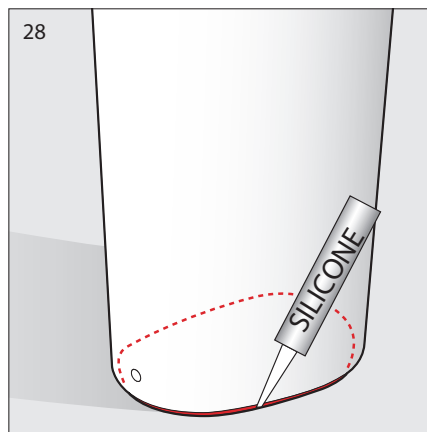
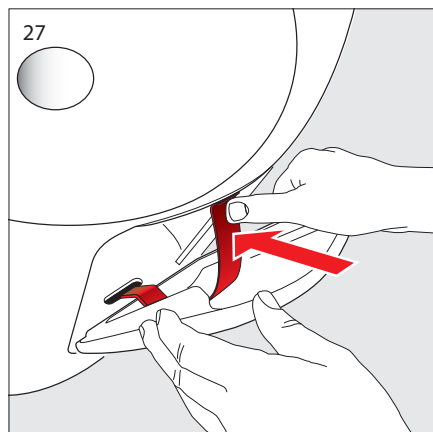
PALOMBA FLOOR STANDING BASIN

INSTALLATION INSTRUCTIONS



PALOMBA FLOOR STANDING BASIN

INSTALLATION INSTRUCTIONS



MAINTENANCE

