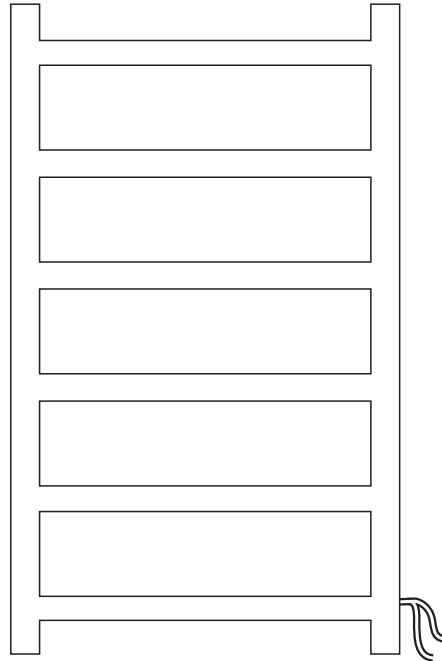
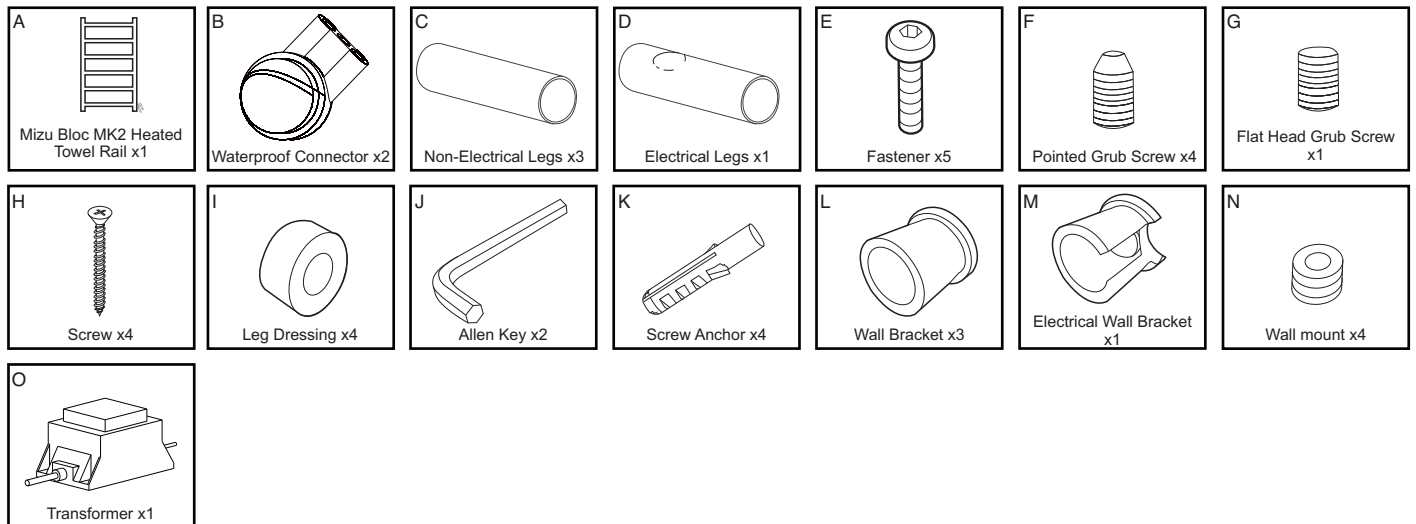


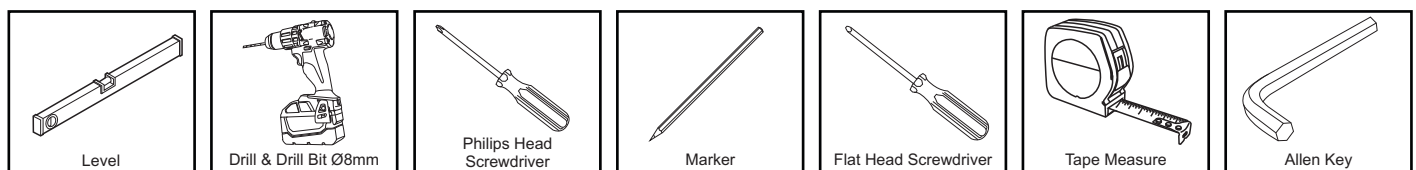
Mizu Bloc MK2 Heated Towel Rail Low Voltage 24V



Components Supplied



Tools Required



Important Electrical connections must be installed to the requirements of AS/NZS 3000 by a qualified electrician. Modifying the product outside of the information in the installation is not recommended and will not be covered under warranty.

mizu

Pre-Installation Instructions

- Review instructions carefully before installation.
- Installation should be completed by a suitably qualified person.
- Please dispose of packaging in a responsible manner.

Warning

This product must be installed by a qualified electrician in accordance with AS/NZS 3000 wiring rules. Switch off the electrical supply at the mains before installation and maintenance. A means of disconnection must be incorporated in the fixed wiring in accordance with the wiring rules. Bathroom conditions will vary the output temperature of the heated towel rails. If complete temperature control is required, a wall mounted dimmer switch (with "off" shut off position) is to be installed (compatible dimmer switch is to be sourced and supplied by an qualified electrician). Suitable for bathroom and non-bathroom/dry areas. Not suitable for above baths, nor for installation in saunas, steam rooms or shower cubicles. Please consult with a qualified electrician to confirm appropriate compliant installation location.

Rated IP55 and suitable for indoor use only. Do not fix to damp or conductive surfaces. Site well away from curtains and fabrics. Switch off after use.

This appliance is not to be used by persons (including children) with reduced physical, sensory or mental capabilities, or lack of experience and knowledge, unless they have been given supervision or instruction concerning use of the appliance by a person responsible for their safety.

Children should be supervised to ensure that they do not play with the appliance.

WARNING: In order to avoid a hazard for very young children, this appliance should be installed so that the bottom of the heated rail is at least 600mm above the floor.

If the supply cord, rail wiring or structure of rail is damaged, it must be replaced by the manufacturer, its service agent or similarly qualified person in order to avoid a hazard.

FOR SAFETY, PLEASE DO NOT USE FOR ANY PURPOSE OTHER THAN AS A TOWEL RAIL AND A TOWEL WARMER. TO AVOID DAMAGE DO NOT SIT, STAND, LEAN OR HANG ON PRODUCT.

Note: Sensitive materials may damage when placed on the heated towel rail.

Electrical Installation

Please ensure this towel warmer is installed by a registered electrician and ensure the electrical supply, plug & switch location and product location will comply with your local regulations.

- The 24V transformer supplied must be located in a dry accessible location (do not cover with insulation). If an alternative transformer is to be used, it must be similarly specified to the transformer included with the rail and meet all relevant Australian standards.
- Distance from transformer to the wiring connection leg must be less than 2 metres.
- Means for disconnection must be incorporated in the fixed wiring in accordance with wiring guideline AS/NZS 3000.
- Minimum 50mm clearance to surrounding surfaces.
- Bottom of rail must be installed 600mm above the floor.
- No towel rail wire should enter the wall cavity.
- Do not pull out the wire.
- Do not cut the wire.

Note: Wall Switch not supplied.

mizu

Operation & Maintenance

- After installation, connect the electric power and turn on the wall switch. The towel warmer will start to work.
- Turn off the power wall switch when towel warmer is not in use.
- Clean the towel warmer with a soft dry towel.
- This unit has been designed to run continuously if required.

Note: Only horizontal bars are to be used for heating.

Note: The surface temperature is high when towel warmer operates. PLEASE BE CAREFUL!

Caution

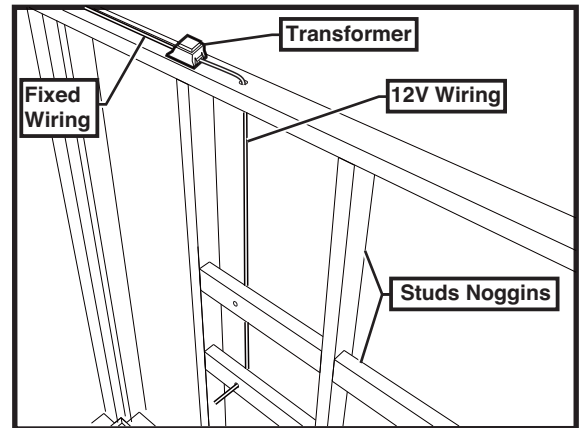
Voltage: 24V Rated Frequency: 90W

- Please DO NOT connect the unit to electricity supply before completely reading and understanding the product manual.
- This product is intended only for domestic use and DO NOT put the product into the water or in sauna room, shower cubicle and steam room.
- This product is only for textile fabrics that is washed by water.
- In order to avoid a hazard for infant or child, this appliance should be installed at the place that is at least 600mm above floor.
- If the wiring was damaged, it must be replaced by manufacture, service agent or qualified person to avoid electric shock hazard.
- The surface temperature is high when towel warmer is working, PLEASE BE CAREFUL!
- For safety, please DO NOT sit, stand, lean against, hang on the product or collide in. Avoid any damage or collision on the surface of product and influence the function or life of product.
- Elderly, physically and mentally disabled persons should be supervised when this towel warmer is in operation.
- If there is any problem, please turn off and contact the supplier where it was purchased. **WARNING SHOCK HAZZARD.** Please do not attempt to make repairs to the electrical part of this product.
- Please DO ensure that your hands is dry when unplugging the cord.

mizu

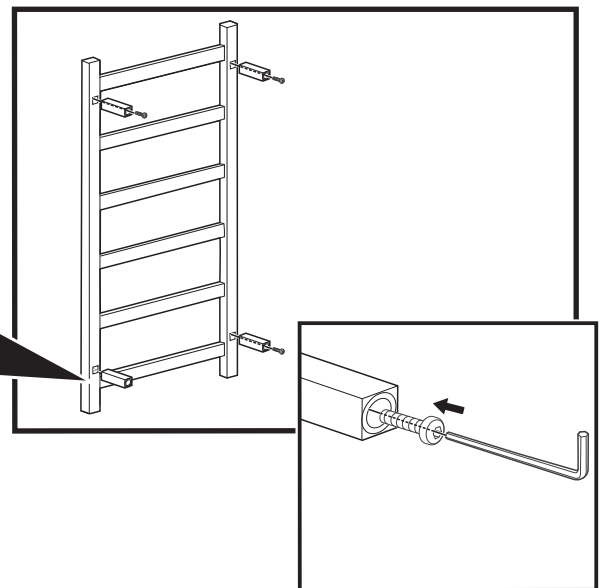
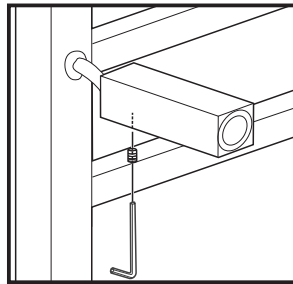
Wall Preparation

- **Note: Heated towel rails may be fixed to ANY type of wall, timber stud, steel stud or masonry (solid or cavity).**
 - Stud walls (timber or steel) require timber noggins at the correct position for the wiring connection leg.
 - If the precise position can't be determined early in the job, consider noggins with 18mm construction ply, covering a larger area.
- Note: Fixing into plasterboard or cement sheeting alone is NOT recommended.**



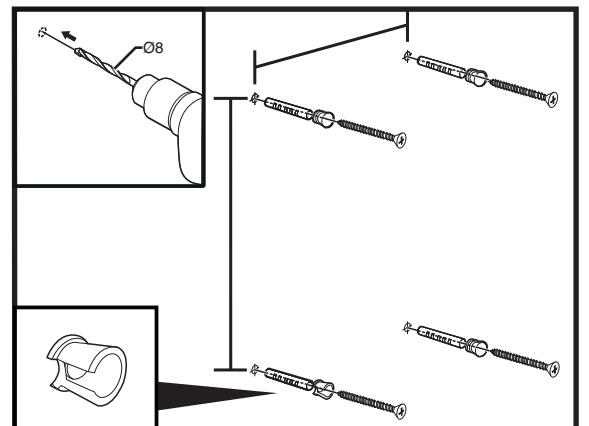
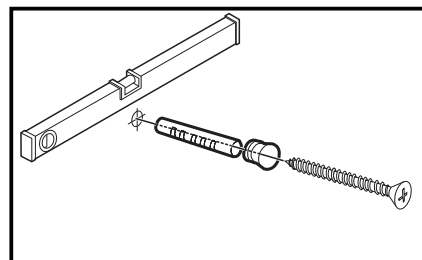
Installation - 1

- Attach Non-Electrical Legs using supplied Fasteners and tightening with supplied Allen key.
- Use Flat Grub Screw and supplied Allen key to attach Electrical Leg to rail.



Installation - 2

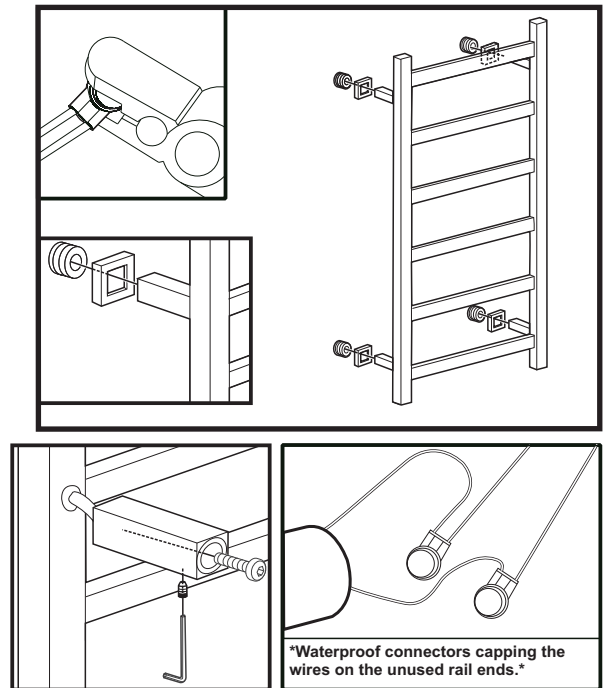
- Use the rail to mark centre fixing points.
- Note: Ensure fixing point are level.**
- Use supplied Wall Screws and Anchors to fix Mounting Brackets to wall. Ensure Electrical Mounting Bracket is positioned at the wiring connection leg.



mizu

Installation - 2

- Push all Leg Dressing into rail Legs before connecting wires or securing rail Legs.
- Follow the wiring configuration as illustrated.
Note: DO NOT strip ends bare.
- Insert electrical wiring into the Waterproof Connector socket.
Note: Ensure all inserted wires are pushed to the back of the waterproof connector.
- Use a hand crimping tool or pliers to crimp the red connector button into the main body.
- Wipe off any excess waterproofing gel from the Connector.
- Tuck the crimped Waterproof Connectors and wiring into the Electrical Leg opening.
- Slot the rail openings into the Wall Brackets.
- Use the supplied Allen key to secure the Pointed Grub Screws into the Wall Brackets and slide Leg Dressing to wall.



Care Details

We recommend a damp cloth with water or soapy water. This product should not be cleaned with abrasive materials. Damage caused by any improper treatment is not covered by the product warranty - refer to Warranty Conditions

Electricians, please ensure a copy of the installation instruction is left with the end user for future reference.

