



**Roca**

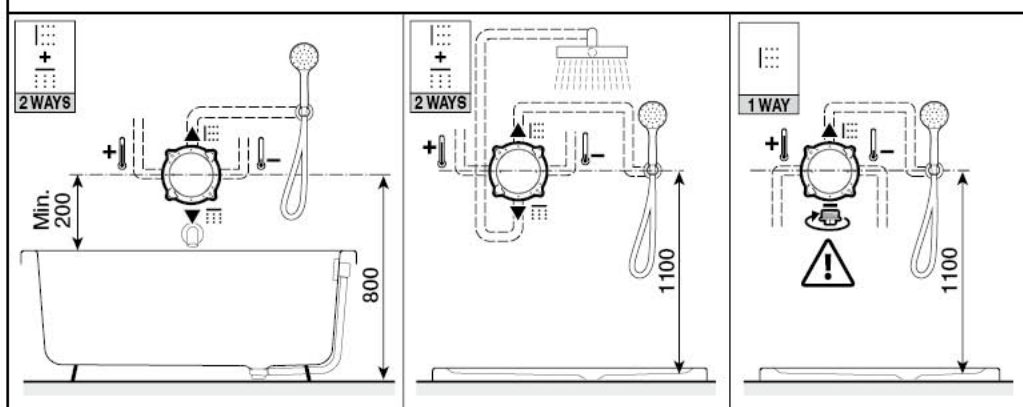
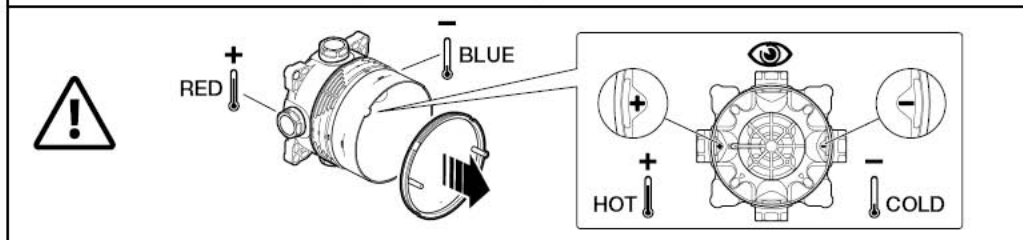
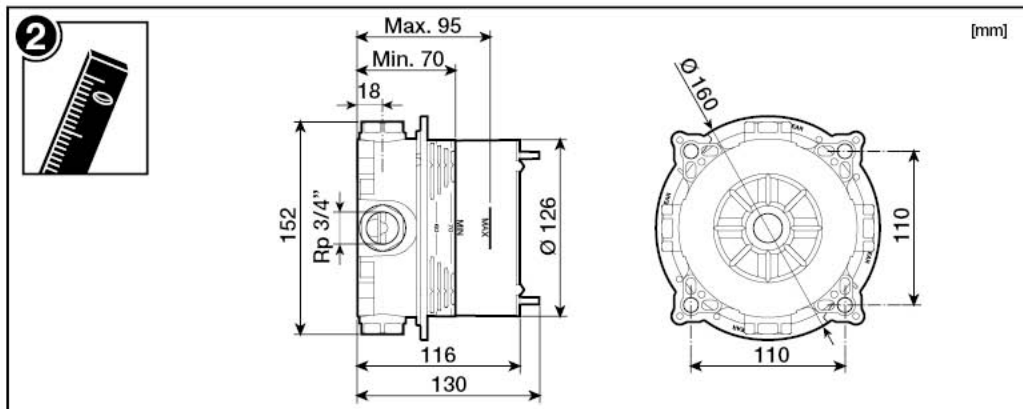
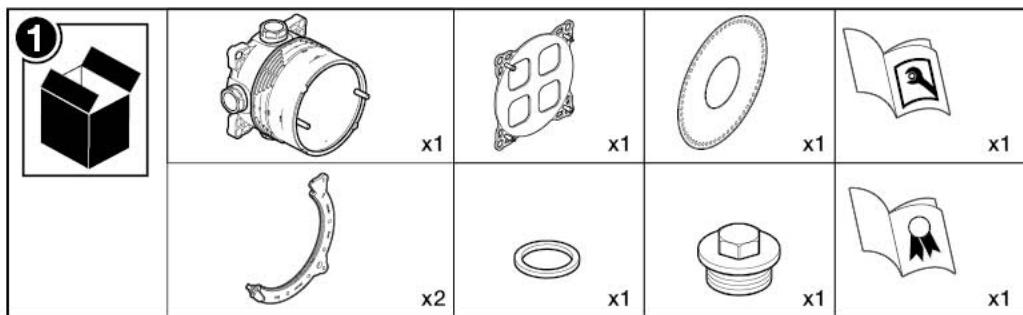
# BOX UNIVERSAL

A525875003

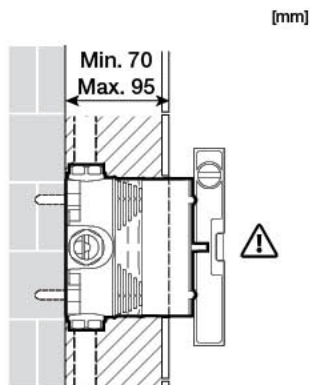
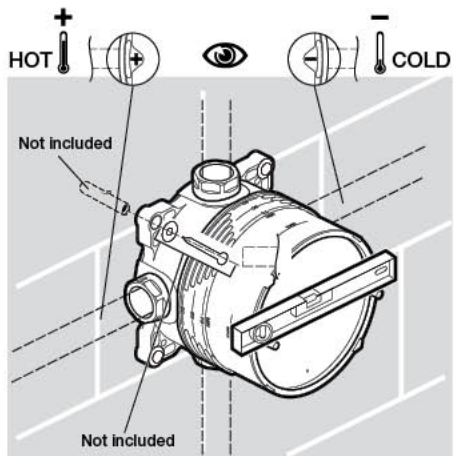
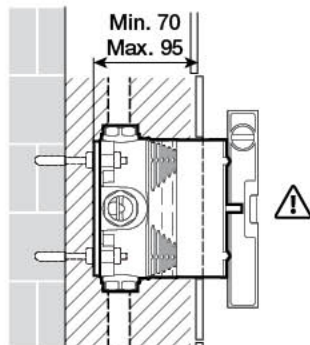
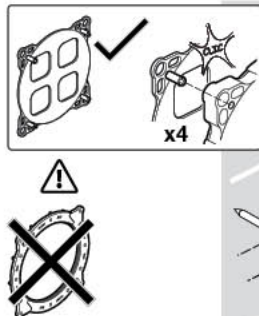
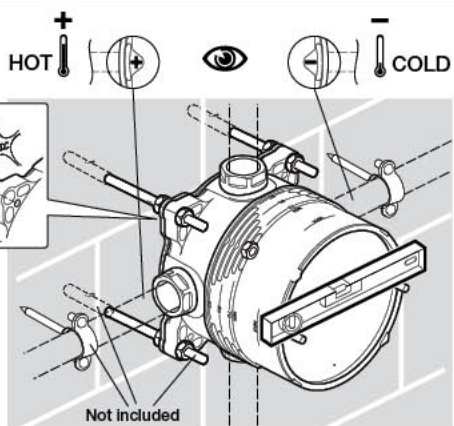
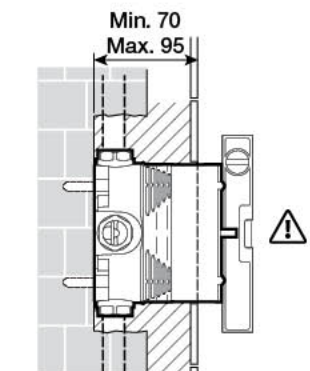
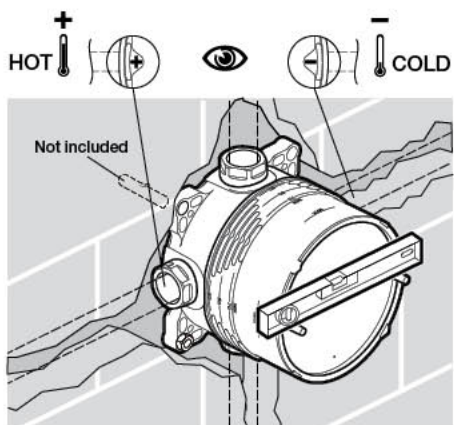


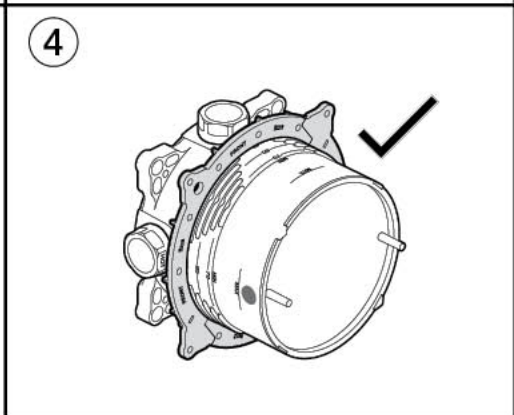
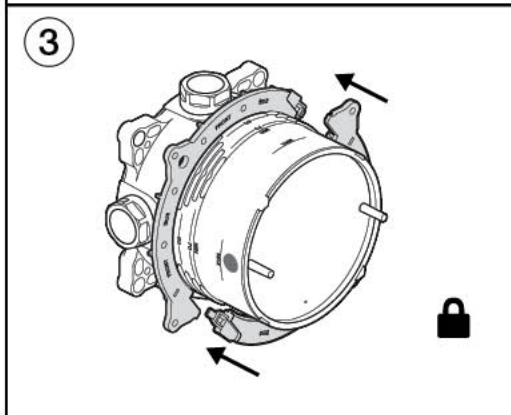
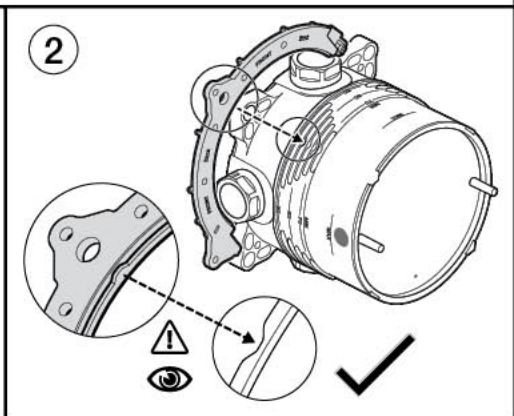
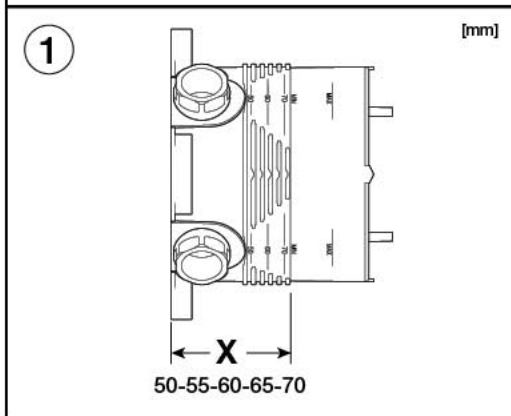
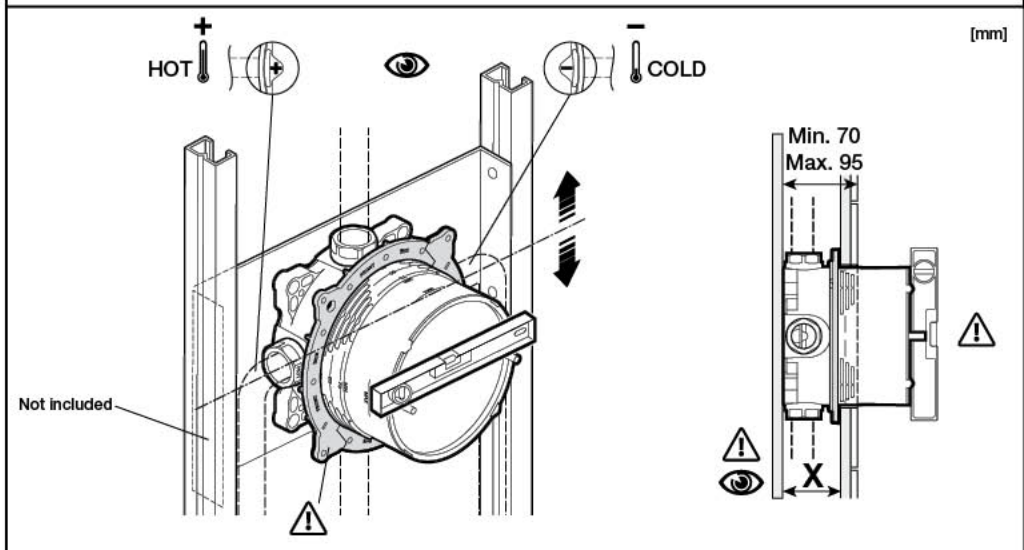
AS 4032.1  
WMKA 26.33

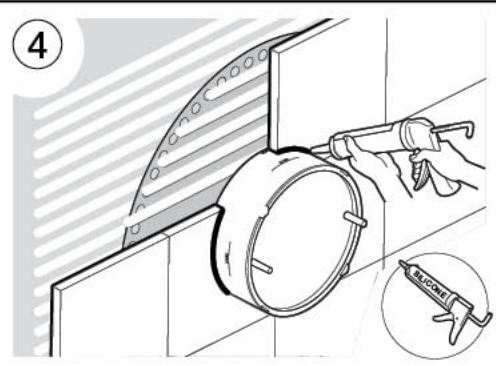
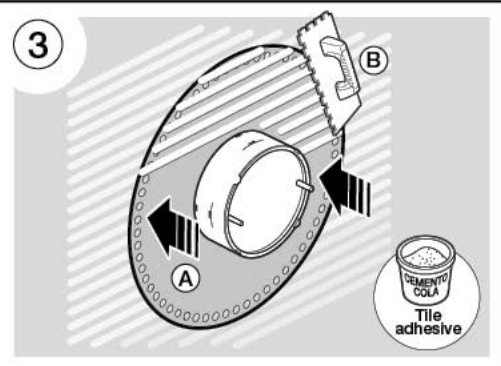
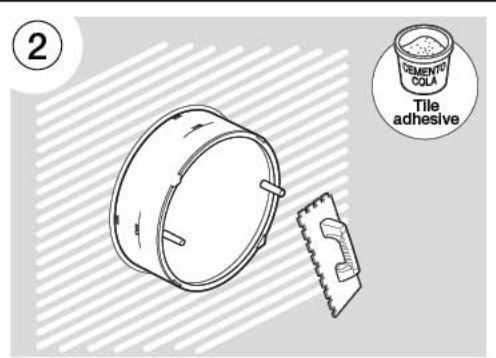
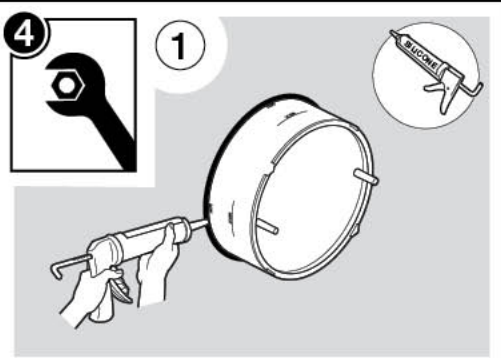
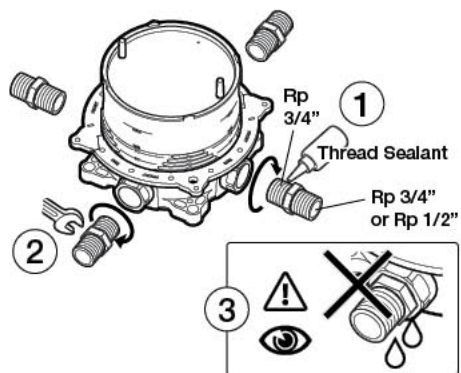
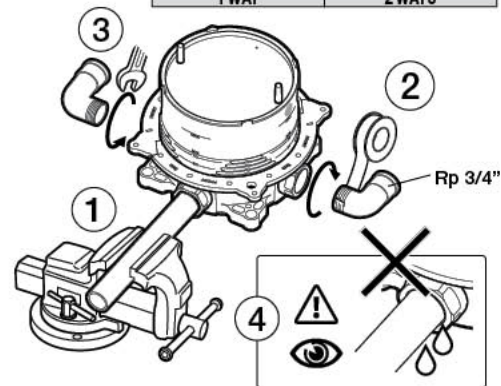
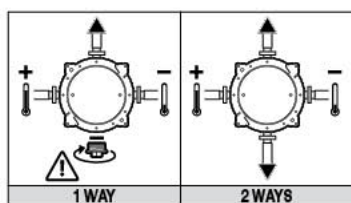
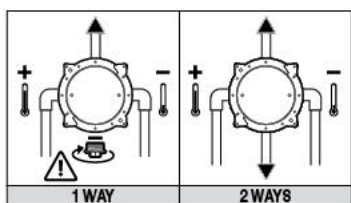
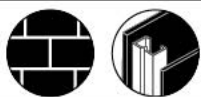




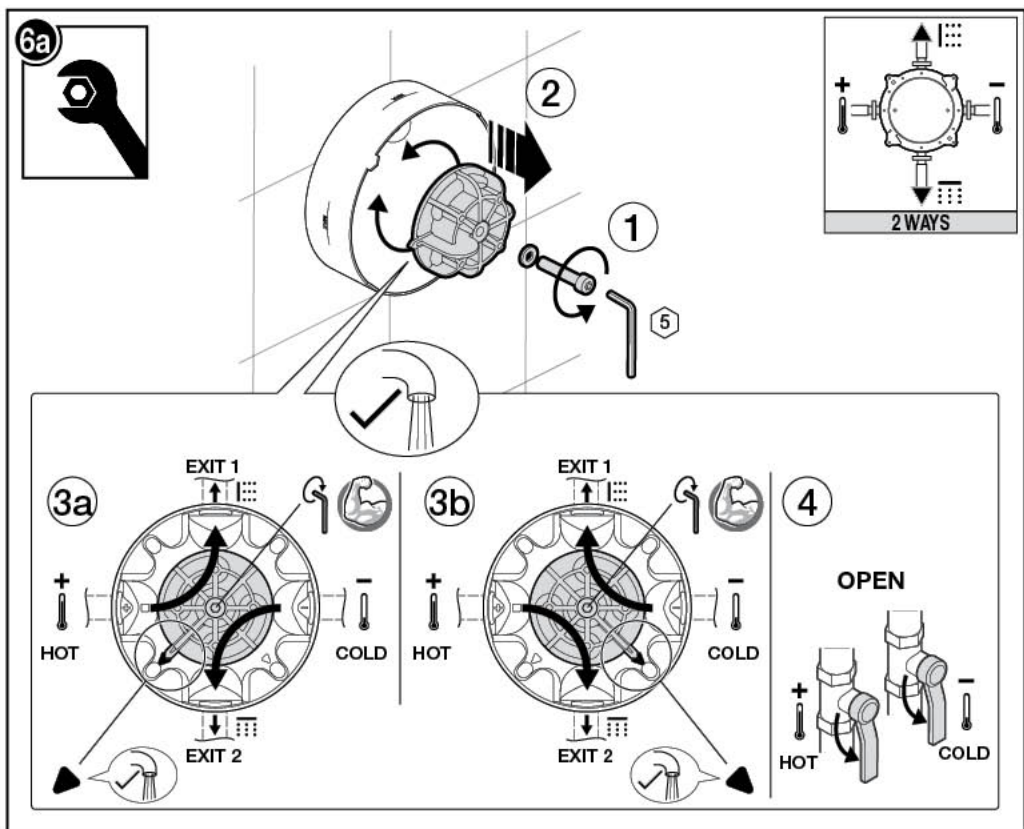
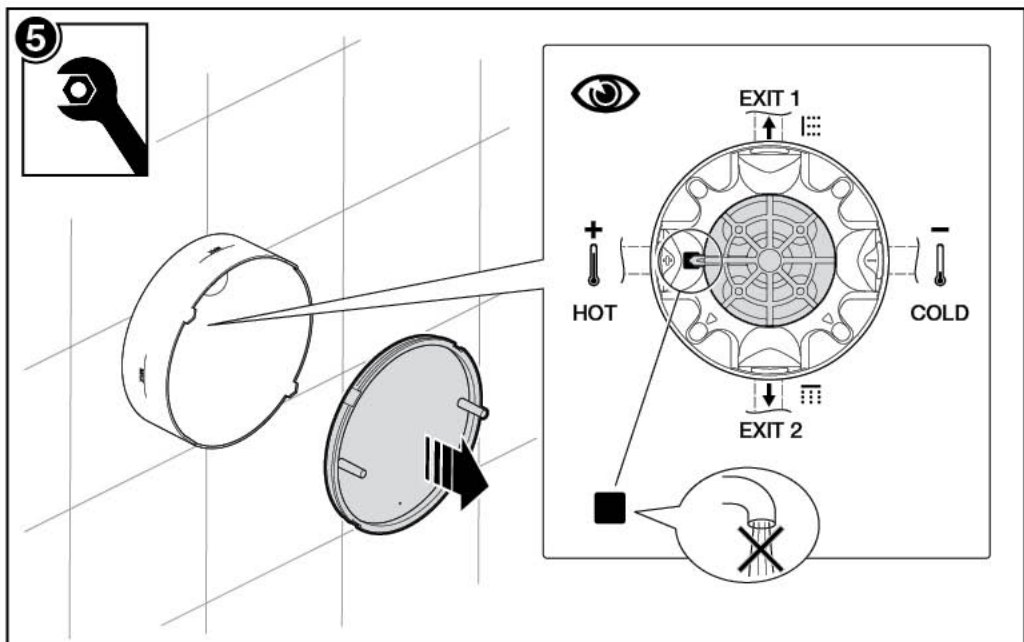
The installation of this product is subject to the requirements of relevant regulatory authority.

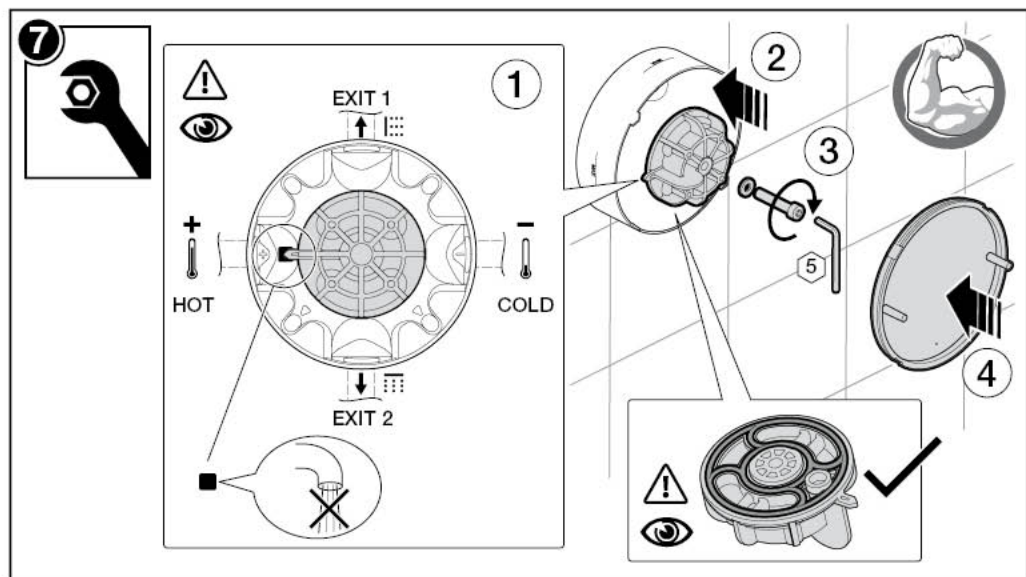
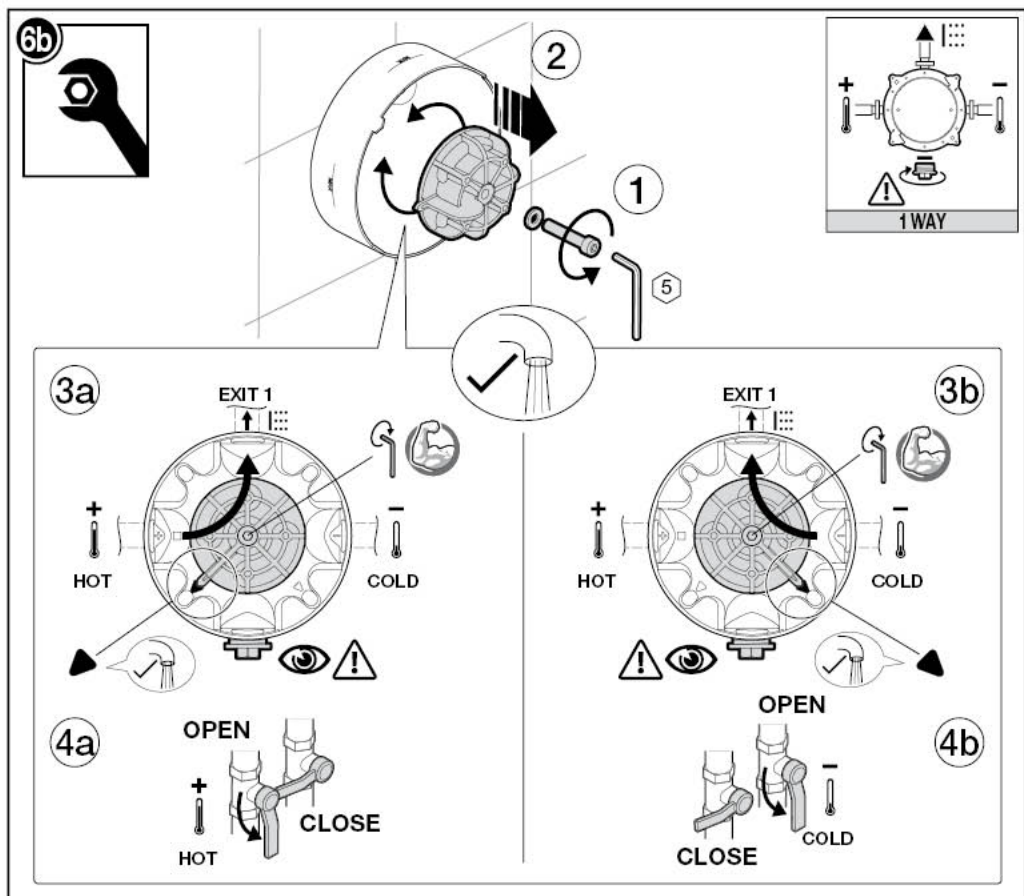
**A****B****C**









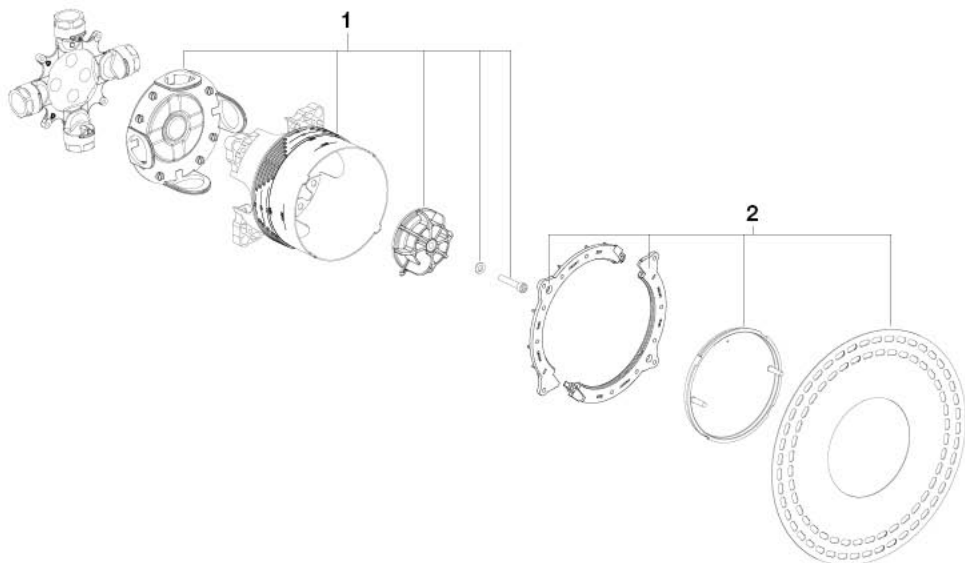




















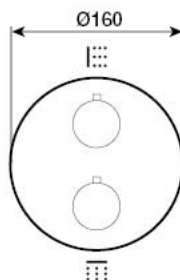
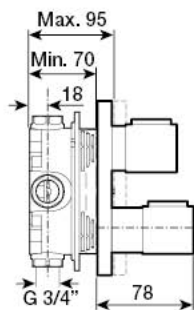
1 AG0119900R

2 AG0120000R



 P 	P kPa	 MAX. 1000	TEST  1600
 P 	P kPa	100 MIN.  500 MAX.	300 200  
  T	°C	 -80 MAX.	 -65 -50 

# T1000



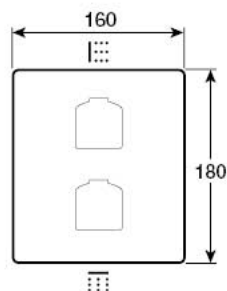
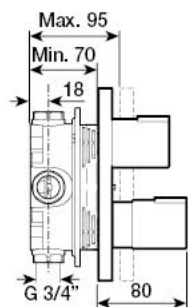
A5A0C09C0A



A5A2C09C0A



# L90-T



A5A0C01C0A



A5A2C01C0A







Roca Sanitario, S.A.  
Avda. Diagonal, 513  
08029 Barcelona  
SPAIN  
[www.roca.com.au](http://www.roca.com.au)