

# Healthcare Solutions

Installation, service  
and maintenance

What Works and Why

*Armitage  
Shanks*

Continuing to Innovate



# USING THIS PRESENTATION

---

Swipe through the presentation from left or right, or use the navigation tools to move through the PDF

 Takes you to the contents page

---

 Previous page

---

 Return to last page visited

---

 Next page

---





**Markwik21**  
Total Disinfection Control

*Armitage  
Shanks*

Continuing to Innovate

# CONTENTS

---

Installation Videos



Spare Parts List - 2500690



Commissioning Videos



Spare Parts List - 2500686



In Service Testing Videos



Maintenance Videos





*Armitage  
Shanks*

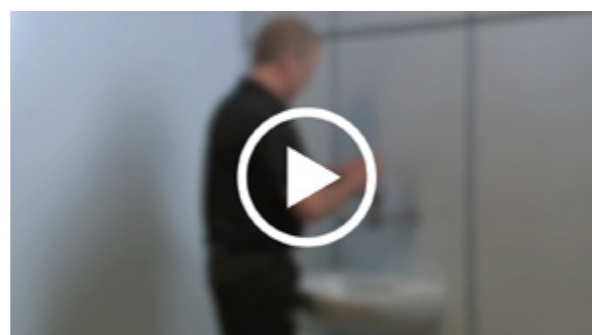
Continuing to Innovate

# Installation

Right click videos to select full screen  
Stop video before closing



Introduction



Supply conditions required for normal use



Fitting the product



Purging including isolation



Fitting the lever



Operation

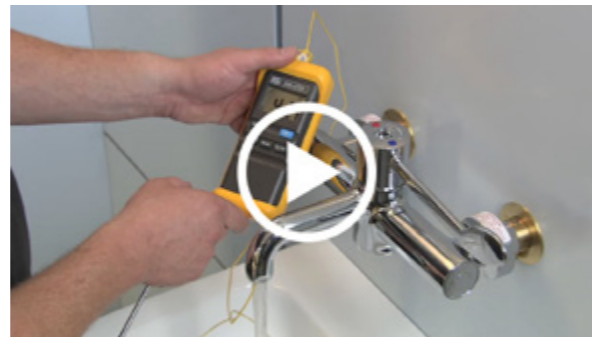


# Commissioning

Right click videos to select full screen  
Stop video before closing



Commissioning purpose



Commissioning procedure



Setting the blend temperature



Flow regulators



Perform cold water isolation test

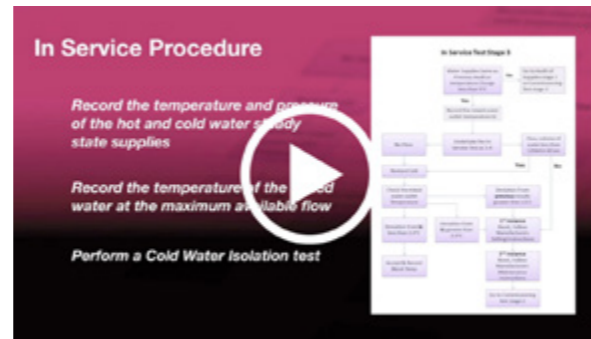


# In Service Testing

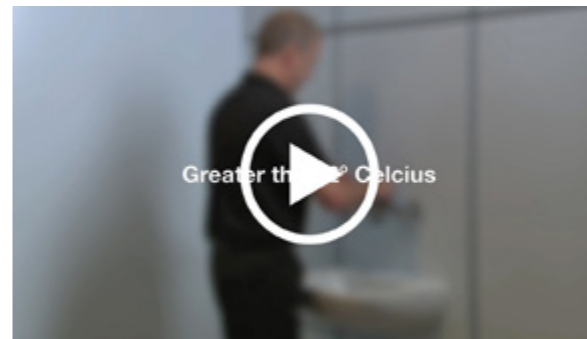
Right click videos to select full screen  
Stop video before closing



In service testing purpose



In service testing procedure



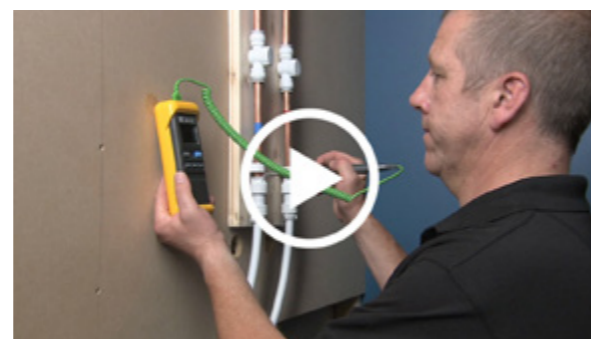
In service testing frequency



Flow regulators



Thermostatic cartridge



Perform cold water isolation test



# Maintenance

Right click videos to select full screen  
Stop video before closing



Maintenance purpose



Setting the blend temperature



Flow regulators



Check valves



Thermostatic cartridge

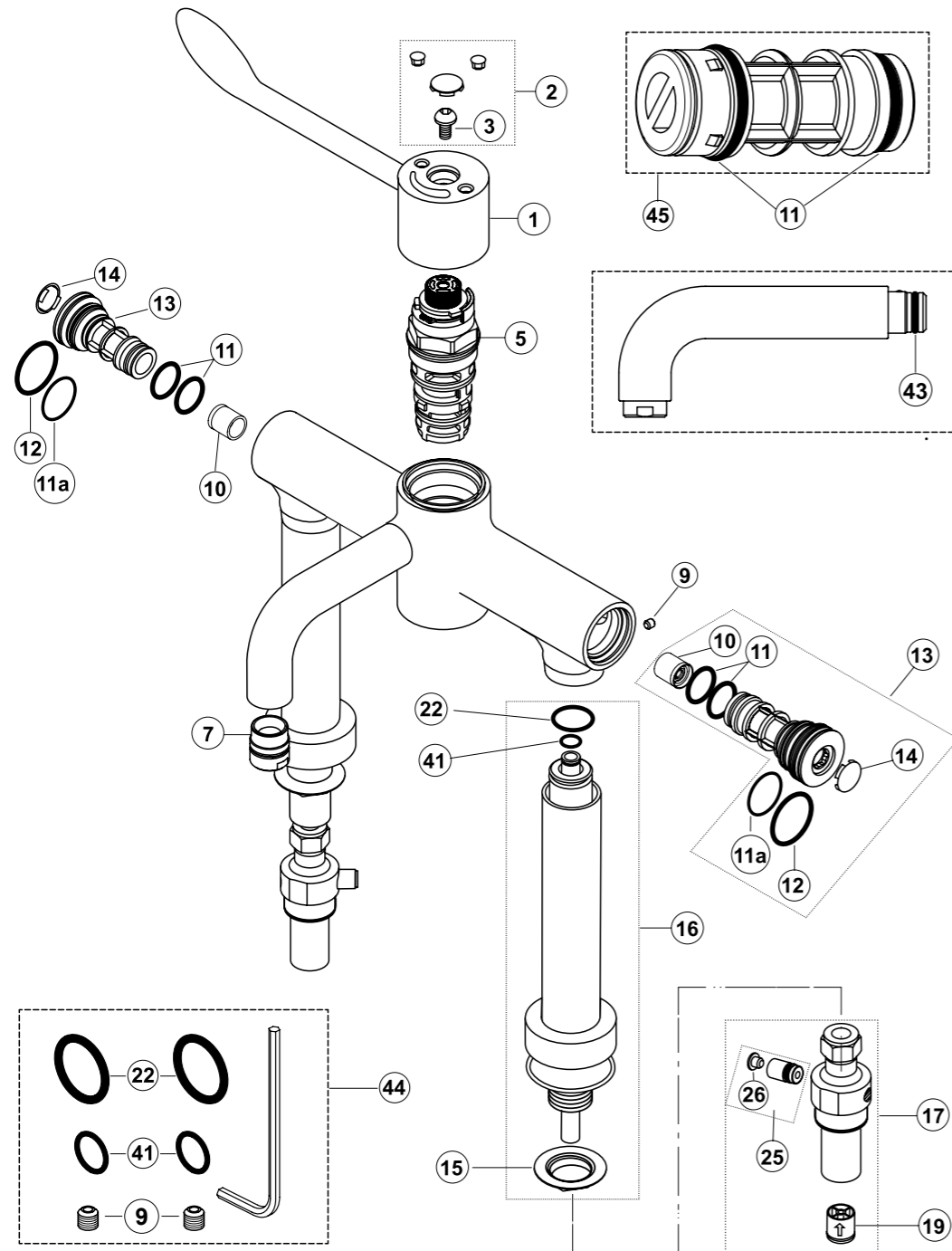


# Spare Parts List

A6242AA

For more information on spare parts why not visit our website or contact customer care.

Exploded view of product



Ref.	Description	Part No.
1	Lever handle	E960668AA
2	Index kit	E960615AA
3	Handle screw	A961950NU
5	Sequential, thermostatic cartridge	A962280NU
5a	Sequential, thermostatic cartridge (10 bulk pack)	F960879NU
7	Armitage BioGuard outlet with O-ring seal	F961091AA
9	Grub screw M6 x 6 - (available within item 44)	-
10	Flow regulator 5L / min (Pair)	A962689NU
11	O-ring dia 17.6 x 2.4	A962497NU
11a	O-ring 25.0 x 1.5	A962496NU
12	O-ring dia 34.0 x 2.0	A960183NU
13	End cap, maintenance carrier & filter (complete with O-rings)	F961092AA
14	Index button	E960641AA
15	Backnut G3/4	E960111NU
16	Deck mounted inlet tail complete	F961093AA
17	Maintenance/disinfecting valve	F961094AA
19	Check valve DW15 (Pair)	A962594NU
22	O-ring dia 17 x 2.5 (set of 4) - (available within item 44)	A963143NU
25	Thermal disinfection nipple assembly (fit hand tight only)	F961095NU
26	Dust cover	-
41	O-ring dia 8.1 x 1.6 (single) - (available within item 44)	A962345NU
42	Shroud	A962346AA
43	O-ring Ø15 x 2.5 (for removable spout)	A961003NU
44	Demountable seal kit with grub screws, O-rings & hex key	F961004NU
45	Strainer & O-ring kit (10 bulk pack)	F961078NU

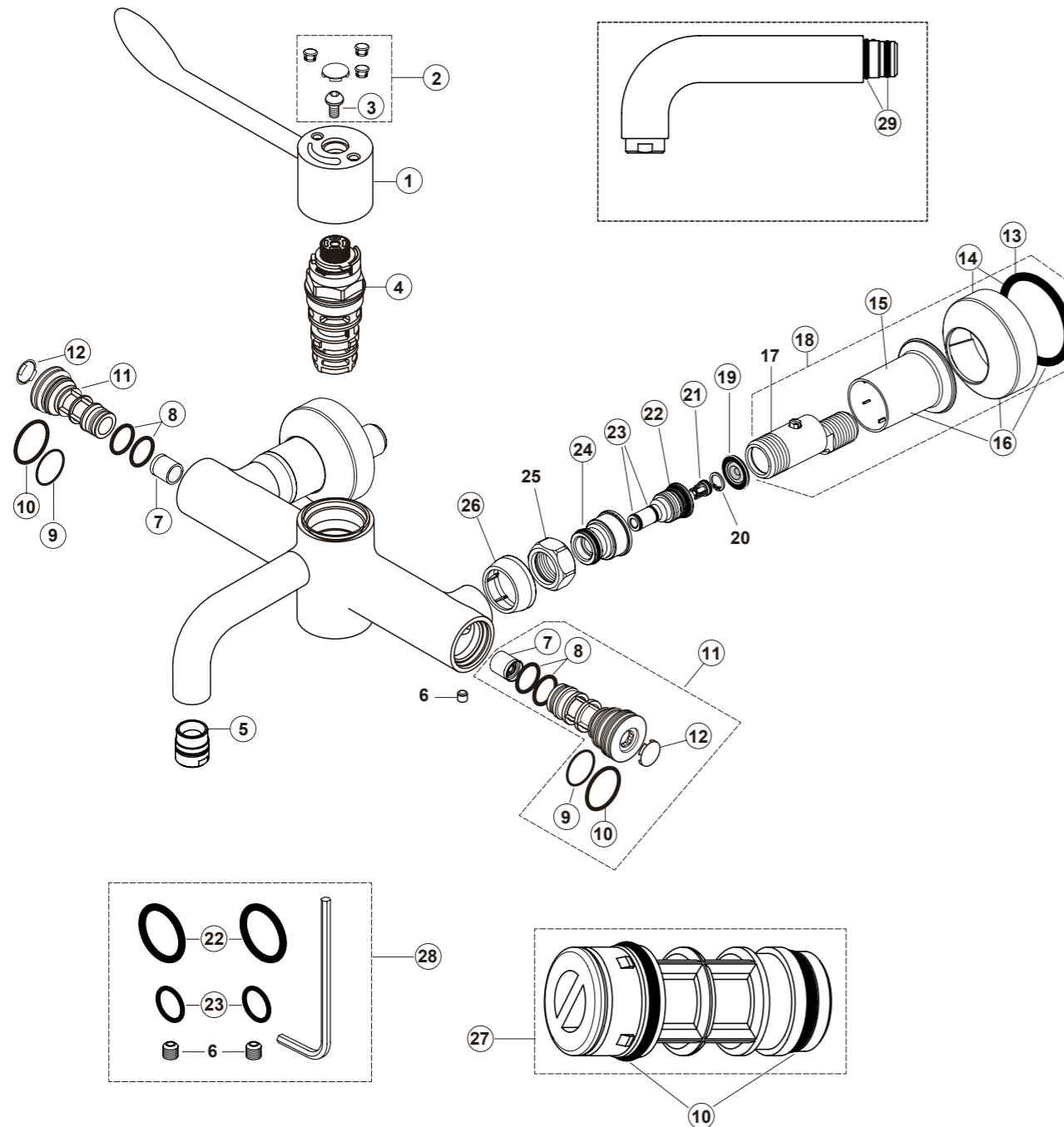




# Spare Parts List

A6242AA / A96245AA

For more information on spare parts why not visit our website or contact customer care.



Ref.	Description	Part No.
1	Lever handle	E960668AA
2	Index kit	E960615AA
3	Handle screw	A961950NU
4	Sequential, thermostatic cartridge	A962280NU
4a	Sequential, thermostatic cartridge (10 bulk pack)	F960879NU
5	Armitage BioGuard outlet with O-ring seal	F961091AA
6	Grub screw M6 x 6 - (available within item 44)	-
7	Flow regulator 5L / min (Pair)	A962689NU
8	O-ring dia 17.6 x 2.4	A962497NU
9	O-ring 25.0 x 1.5	A962496NU
10	O-ring dia 34.0 x 2.0	A960183NU
11	End cap, maintenance carrier & filter (complete with O-rings)	F961092AA
12	Index button	E960641AA
13	O-ring Ø 53,5 x 5	A963840NU
14	Escutcheon + Pos. 13	A961906AA
15	Escutcheon inside	A961927AA
16	Escutcheon complete.	B960575AA
17	S-Connector	-
18	S-Connector complete	A860965AA
19	Strainer ( screen )	A961892NU
20	Circlip	-
21	Non-return valve DN8	A960944NU
22	O-ring dia 17 x 2.5 (set of 3) + Pos. 24 - (available within item 28)	A962377NU
23	O-ring dia 8.1 x 1.6 - (available within item 28)	A962345NU
24	O-ring dia 17 x 2 (set of 2)	A960810NU
25	Coupling nut G 3/4	-
26	Cover for nut	A860972AA
27	Strainer & O-ring kit (10 bulk pack)	F961078NU
28	Demountable seal kit with grub screws, o-rings & hex hey	F961004NU
29	O-ring Ø15 x 2.5 (for removable spout) (pair)	F961003NU



# Guarantee

## Product Quality Guarantee



25 years all ceramic products



5 years showers, taps and mixers



10 years cartridges

Armitage Shanks products are covered by the above product replacement warranties.  
For full warranty details visit [www.reece.com.au/warranties](http://www.reece.com.au/warranties)

*Armitage  
Shanks*

Continuing to Innovate

Armitage Shanks pursues a policy of continuing improvement in design and performance of its products. The right is therefore reserved to vary specifications without notice. Colour reproduction is as accurate as possible within the limitations of the printing process.

© ARMITAGE SHANKS LTD

07/15



For your nearest Reece store call **1800 032 566** or visit **[www.reece.com.au](http://www.reece.com.au)**

Reece Onsite customers should contact their local Reece Onsite representative for all Commercial needs.

Due to limitations in the printing process the colours in this brochure are a guide only. The manufacturer/distributor reserves the right to vary specifications or delete models from their range without prior notification. The manufacturer/distributor takes no responsibility for printing errors.



*Armitage  
Shanks*

Continuing to Innovate

