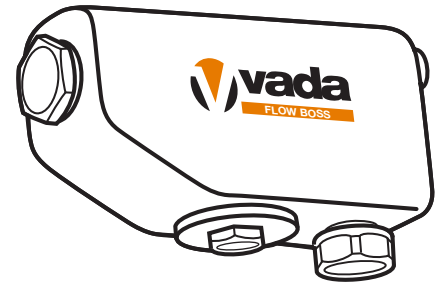
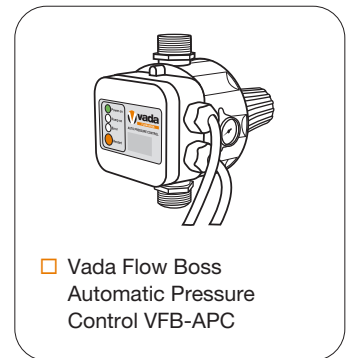
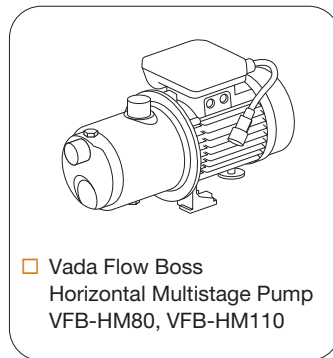
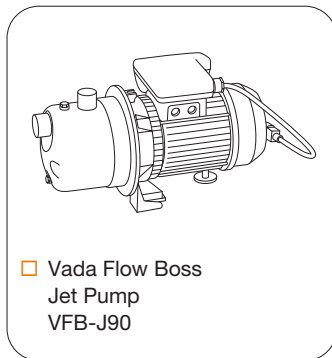


MECHANICAL WATER SWITCHING UNIT 25MM SPEC SHEET

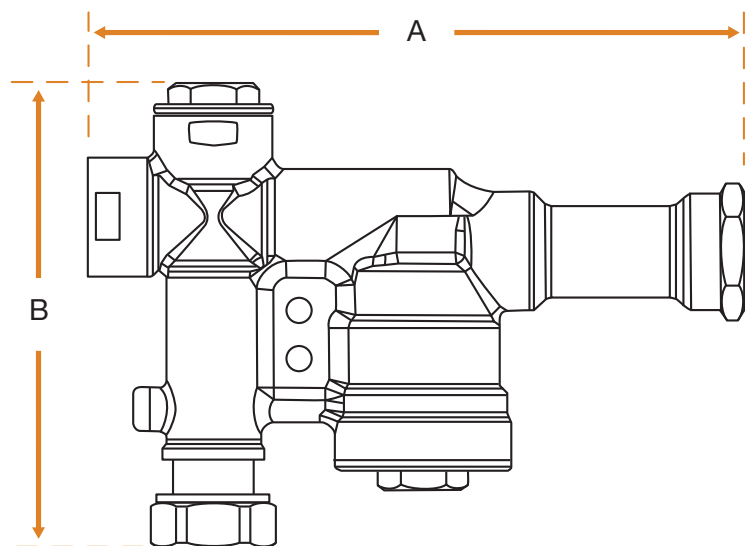


COMPATIBLE VADA PRODUCTS:



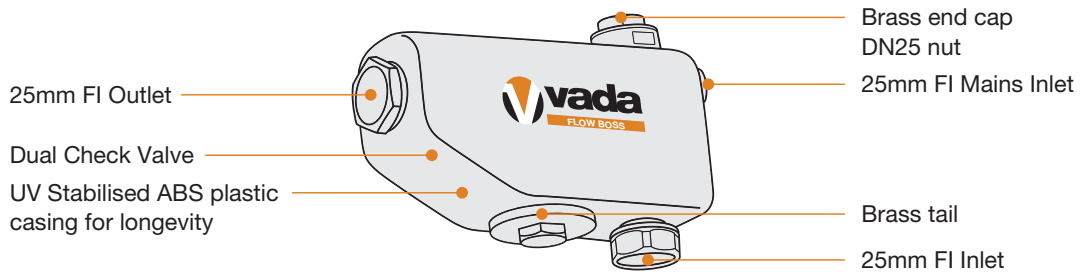
PRODUCT DIMENSIONS:

A. 210mm
B. 148mm





PRODUCT FEATURES:



SPECIFICATIONS

Pump inlet	25mm FI
Mains water in	25mm FI
Outlet	25mm FI
Max mains pressure	1000kPa
Min pump pressure	350kPa
Max flow rate	100 litres per minute
Max water temp	50°C