

hideaway+

## Hideaway+ Sensor Button/Plate Inwall Black

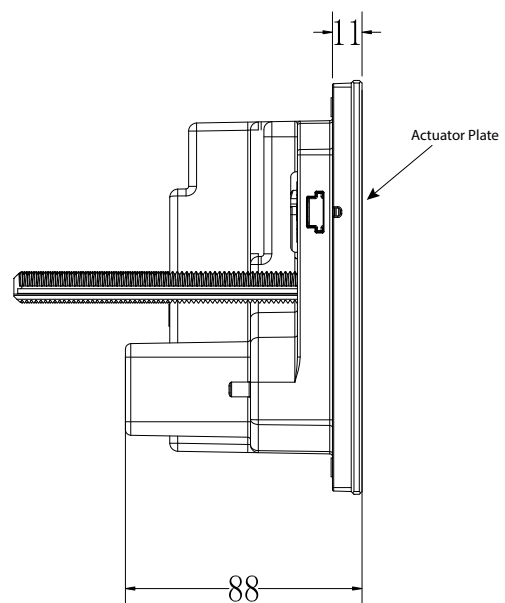
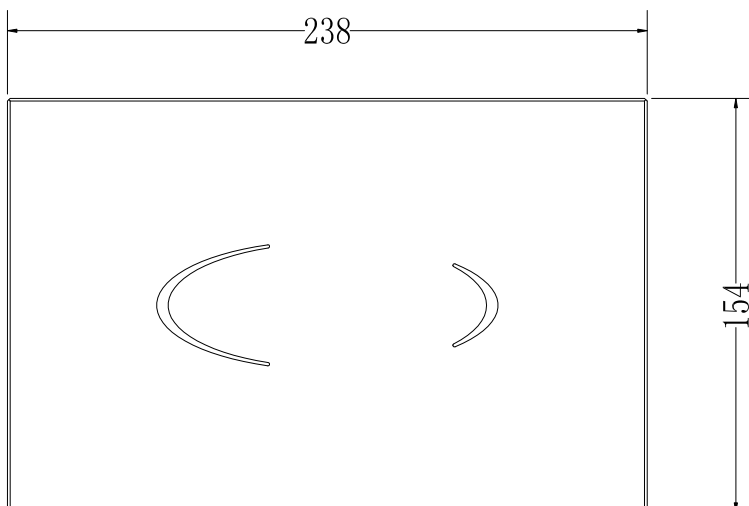
### SPECIFICATIONS

Recommended Use	Domestic, Hotel & Commercial
Actuator Plate Material & Size	Glass, 238x154x11mm
Colour	Black/Blue
Operation	Infrared user detection (Hand)
Voltage	Input: 100-240V AC 50-60Hz Output: 6V DC / 1.5 Amp
Power Supply	100-240V to 6V (supplied)

### WARRANTY

Warranty - Domestic Use	12 Months
Spare Parts & Labour	12 Months

Please refer to Warranty Page for full Terms and Conditions



### CLEANING RECOMMENDATIONS

We recommend the use of soapy water, soft cloth or approved cleaners.

This product should not be cleaned with abrasive materials or aggressive cleaning agents that contain chlorine or are acidic, abrasive or corrosive.

Damage caused by any improper treatment is not covered by the product warranty - refer to Warranty Conditions

Dimensions are nominal measurements only.

**Disclaimer:** Products in this specification manual must by regulation be installed by licensed and registered trade people. The manufacturer/distributor reserves the right to vary specifications or delete models from their range without prior notification. Dimensions are nominal measurements only. Dimensions and set-outs listed are correct at time of publication however the manufacturer/distributor takes no responsibility for printing errors.

Published 22/08/2019

