

Posh Bristol MK2 Mirror Cabinet 1 Door

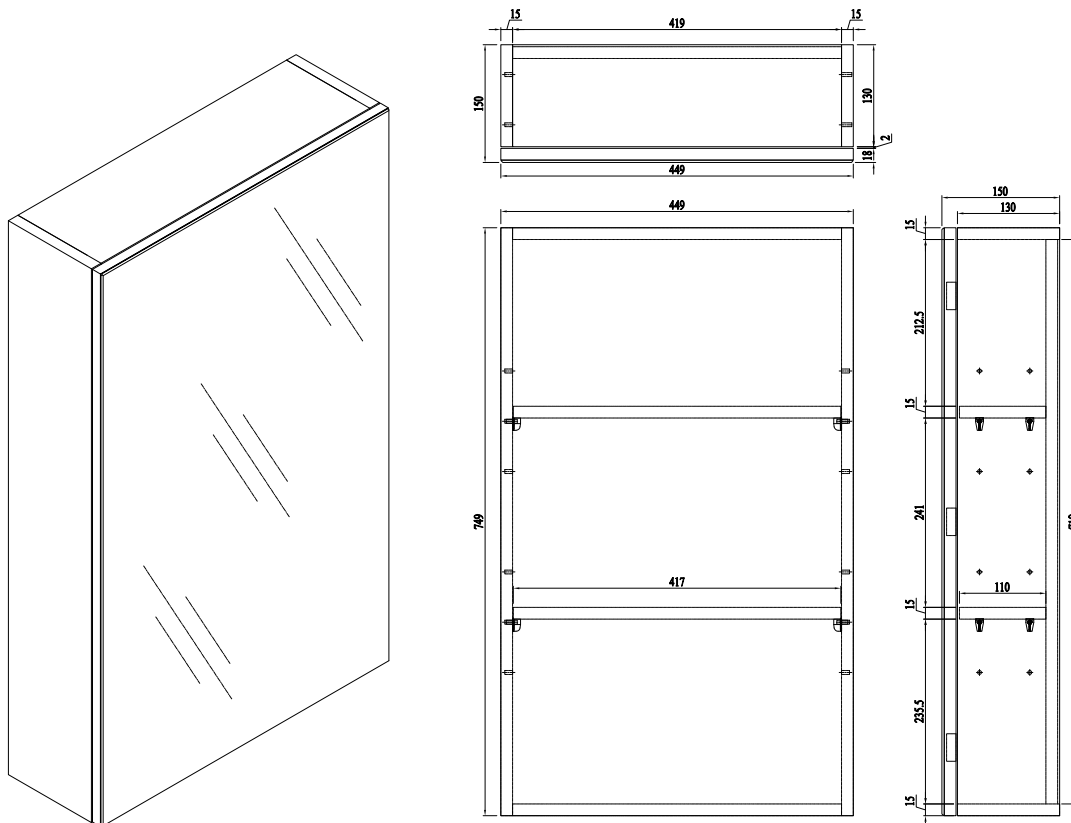
SPECIFICATIONS

Recommended Use	Domestic, Hotel & Commercial
Colour Availability	White
Finish Material	2-pack gloss finish moisture resistant MDF
Fixing requirement	Fixed to wall or inset into wall cavity
Height	750mm
Lengths	450mm
Mirror	3mm glass with safety backing
Door Features	Soft Close Door

WARRANTY

Warranty - Domestic Use	7 Years
Spare Parts & Labour	12 Months

Please refer to Warranty Page for full Terms and Conditions



CLEANING RECOMMENDATIONS

We recommend the use of a mild glass cleaner for glass doors.

This product should not be cleaned with abrasive materials.

Damage caused by improper treatment is not covered by the product warranty - refer to warranty conditions

Dimensions are nominal measurements only.

Disclaimer: Products in this specification manual must by regulation be installed by licensed and registered trade people. The manufacturer/distributor reserves the right to vary specifications or delete models from their range without prior notification. Dimensions are nominal measurements only. Dimensions and set-outs listed are correct at time of publication however the manufacturer/distributor takes no responsibility for printing errors.

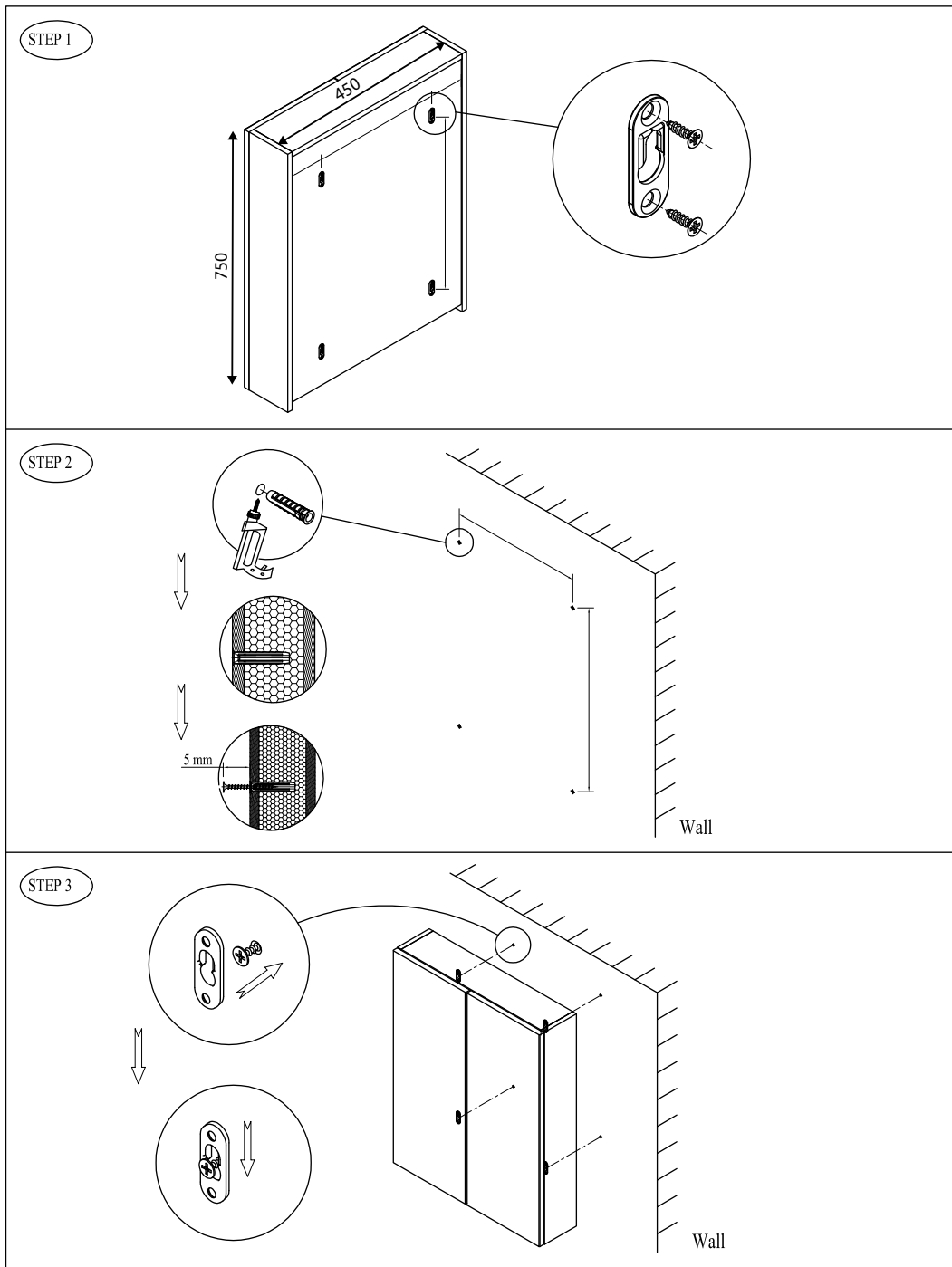
Published 22/05/2019

Posh Bristol MK2 Mirror Cabinet 1 Door

INSTALLATION INSTRUCTIONS

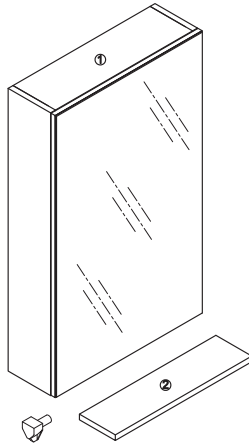
Please read instructions carefully. Remove all wrapping material, staples and packing straps from the carton. Be sure to have all parts before you start assembling. Place all wooden furniture parts on a clean and flat surface, such as carpet or a rug to prevent scratching.

1. Locate timber noggins or reinforced fixing points in wall to provide solid timber for mounting screws.
2. Drill pilot holes in cabinet to line up with pre-determined timber support located in the wall.
3. Fix cabinet to wall using appropriate screws for the relevant wall material. Take care not to overtighten screws.
4. If installed in a wall cavity, ensure that the mirror cabinet is securely fixed to framework.
5. Refer to next page for cabinet assembly.

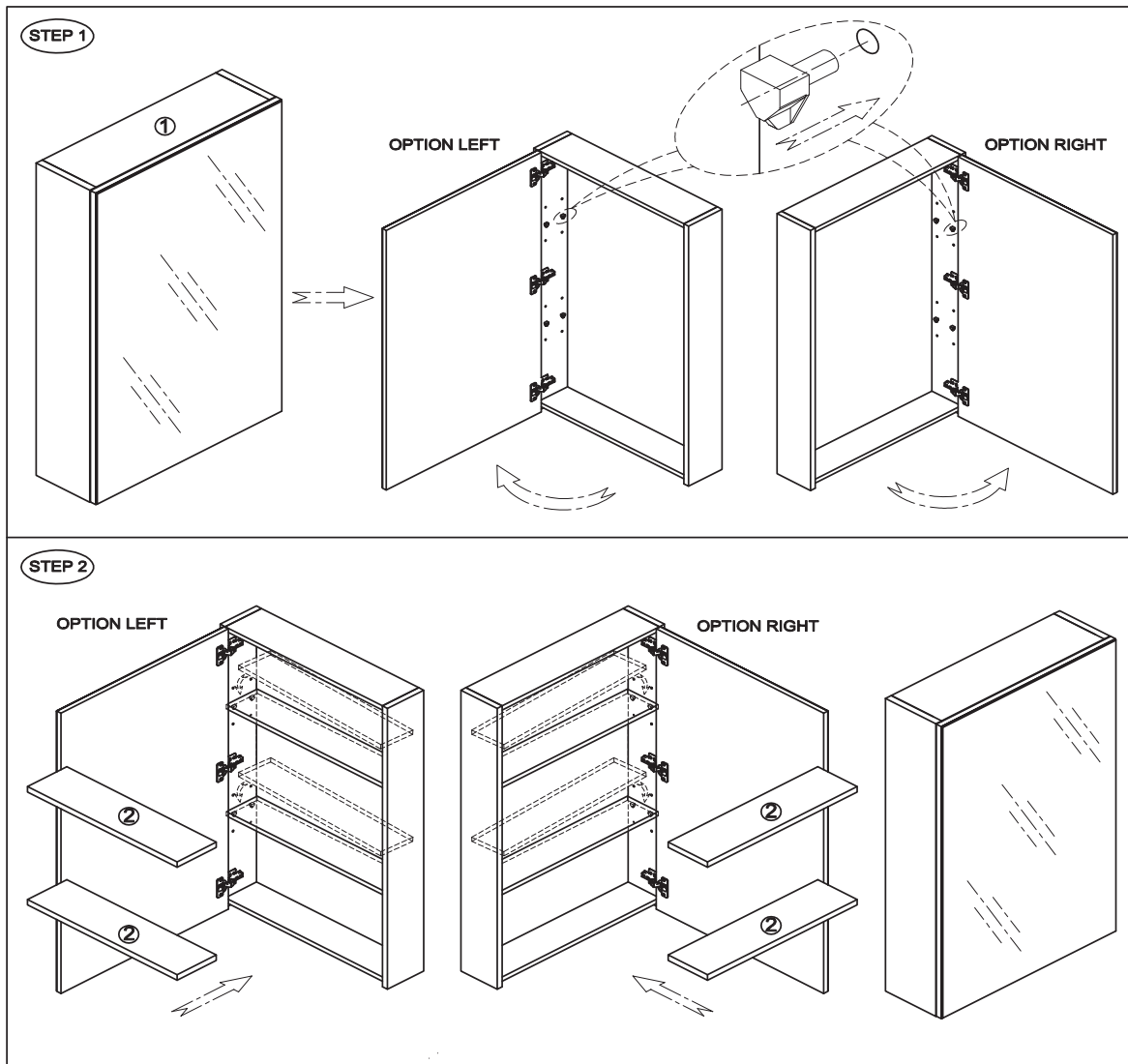


Posh Bristol MK2 Mirror Cabinet 1 Door

ASSEMBLY INSTRUCTIONS

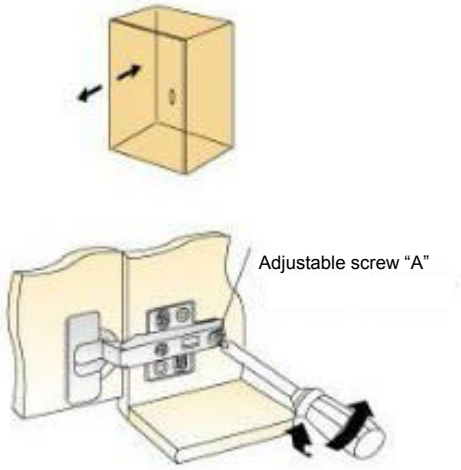


- PARTS INCLUDED
- 1. CABINET :1PC
 - 2. SHELF :2PCS
 - 3. SHELF SUPPORT :8PCS

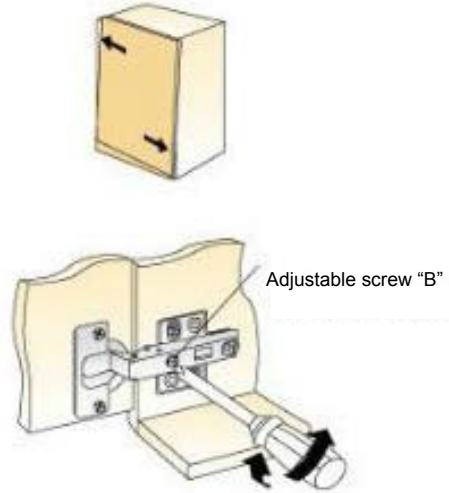


Posh Bristol MK2 Mirror Cabinet 2 Door

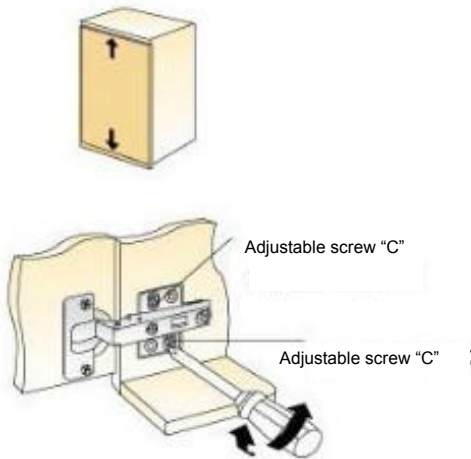
HINGE ADJUSTMENT INSTRUCTIONS



Front and rear adjustment in three dimensions.
The clearance between door board and cabinet side board can be changed only by adjusting screw "A".



Adjustable screw "B".
Left and right adjustment in three dimensions



Vertical adjustment in three dimensions.
Vertically and clearance between top and bottom can be corrected by adjusting screw "C" on hinge base board.