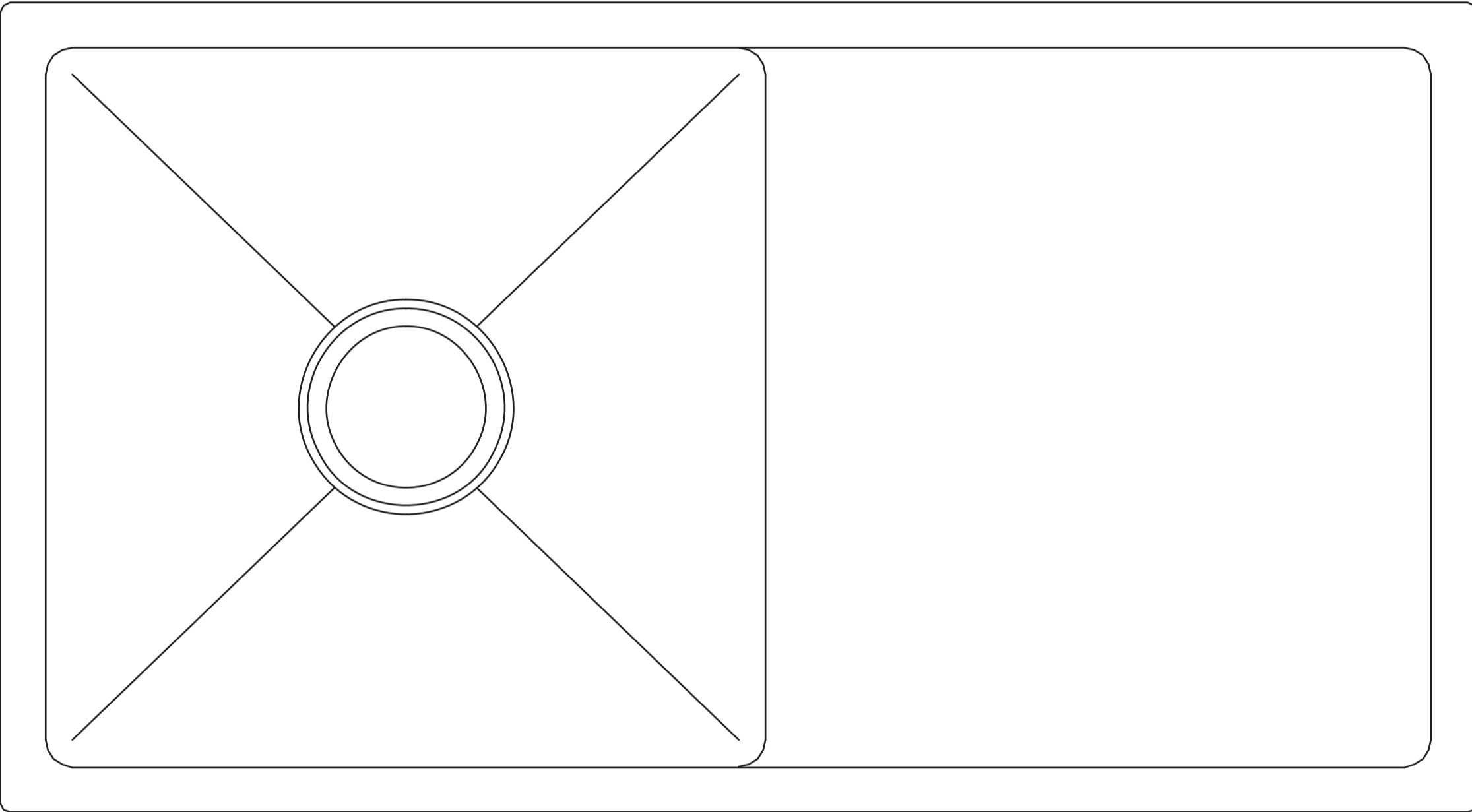


R15

Memo Zenna Sink Cutout Template

Memo Zenna Single Bowl Sink No Taphole with Reversible Drainer Stainless Steel
Reece Code: 2403110



Use inner line for undermount installation
Use outer line for inset installation

**Please note that the cutout template is provided as a guide only.
This cutout template should be checked against the actual sink
to determine correct fit.**

Scale 1:1 at A1

memo

400

429

770

794