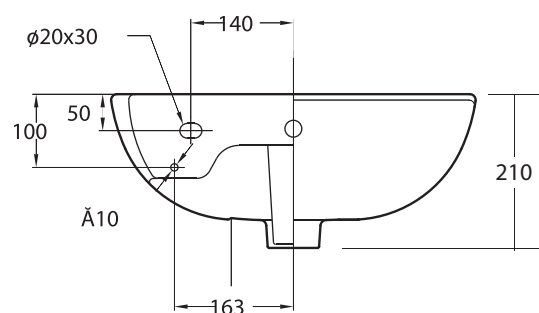
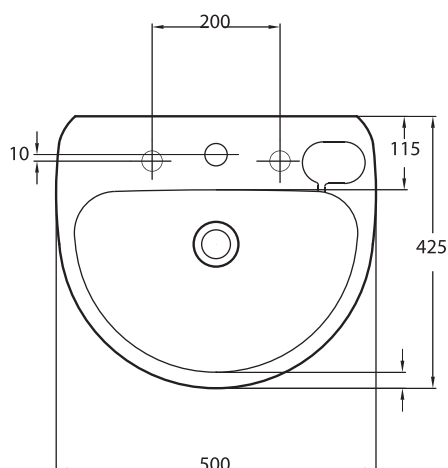


AMERICAN STANDARD

STUDIO WALL BASIN 500MM



SPECIFICATION

Recommended Use	Domestic, hotel, and commercial
Material	Vitreous China
Capacity	3.6 Litres
Weight	7.3 kg.
Fixing	Bolted to wall using Fixing Bolts (supplied)
Integrated Overflow	Yes.
Tap Hole Availability	1 and 3
Plug & Waste	Suits 32 x 40mm overflow waste
Colour Availability	White

Note: Full pedestal is an optional extra.



To see the complete AMERICAN STANDARD range go to www.reece.com.au/bathrooms

CLEANING RECOMMENDATIONS

We recommend the use of soapy water or approved cleaners.

This product should not be cleaned with abrasive materials.

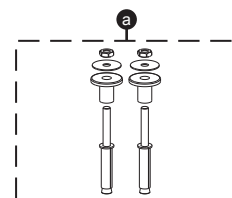
Damage caused by any improper treatment is not covered by the product warranty. Refer to Warranty Conditions.

Disclaimer: Products in this specification manual must by regulation be installed by licensed and registered trade people. The manufacturer/distributor reserves the right to vary specifications or delete models from their range without prior notification. Dimensions are nominal measurements only. Dimensions and setouts listed are correct at time of publication however the manufacturer/distributor takes no responsibility for printing errors.

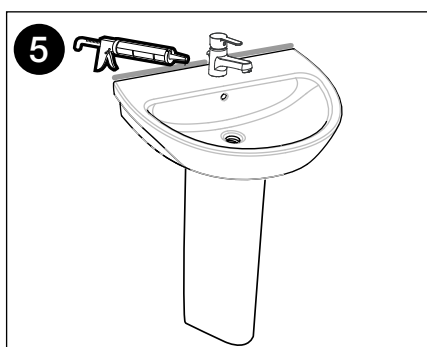
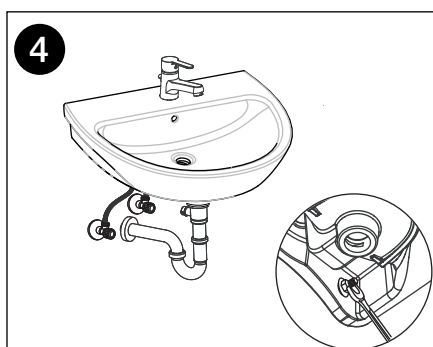
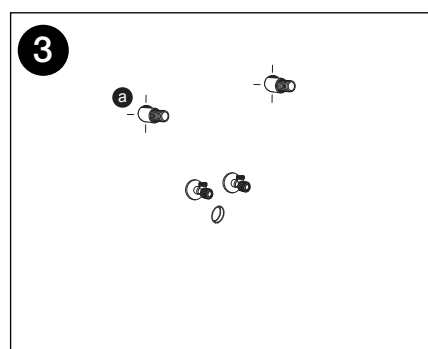
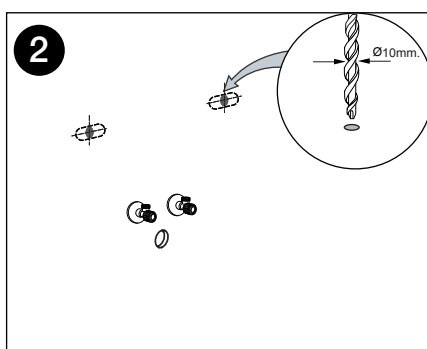
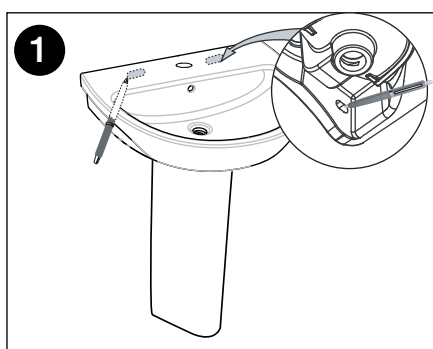
Tech Page Version 1

AMERICAN STANDARD STUDIO WALL BASIN 500MM

INSTALLATION INSTRUCTIONS



Note: Full pedestal is an optional extra.



Note: If fixing to timber framed walls or partitioning, the wall should be reinforced with noggins to receive the fixing bolts.

Plumbers, please ensure a copy of the installation instructions is left with the end user for future reference