

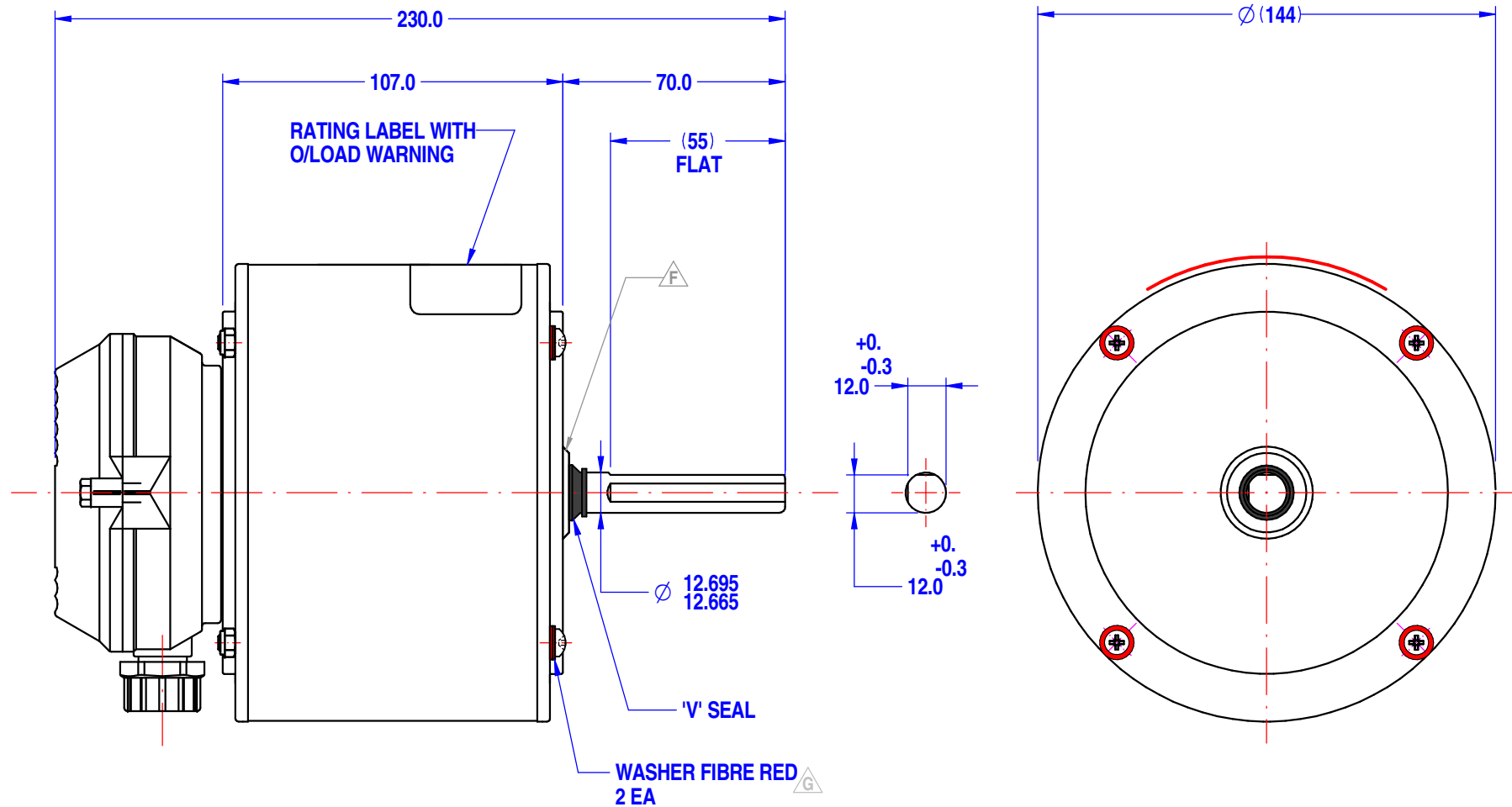
MOTOR SPECIFICATION

FINAL INSPECTED MOTORS MUST COMPLY WITH ELECTRIC MOTOR VIBRATION SPECIFICATION (ES049)

THIRD ANGLE PROJECTION

808554LTB-A80

Q.R. No.	Y001038	CUSTOMER NO.	-					
CUSTOMER	VARIOUS							
MOTOR RATING	VOLTS	240	Hz	50	Ph	1	Duty	AOM
	RPM.	1380		1.25		AMPS		
	NOM. OUTPUT	180 WATTS						
ROTATION	CLOCKWISE DRIVE END (REVERSIBLE)							
CAPACITOR	START	-----	μF/V	RUN	4/440		μF/V	
ENCLOSURE	TOTALLY ENCLOSED							
MOTOR TYPE	CSR		INSULATION CLASS	B130				
THERMAL PROTECTION	AUTO RESET OVERLOAD							
APPLICATION	FAN - SHAFT HORIZONTAL							
BEARING D.E.	6202 ZZ		LUBRICATION	LONG LIFE, WIDE RANGE				
BEARING N.D.E.	6202 ZZ							
SUPPLY LEAD	-----							
EARTH PROVISION	ON NDE ENDSHIELD							
BASIC BUILD SPECIFICATION	305-570-05		PAINT/ COLOUR	PC GREY CASE PLAIN E/SHIELDS				
PERFORMANCE SPECIFICATION	SP85072-01							
CONNECTION DIAGRAM	393-333-03		RATING LABEL	SSTDAUTO.FMT				



DESIGNED AND MANUFACTURED TO AUSTRALIAN STANDARDS & SPECIFICATIONS

ddmmyyxxxx

MODEL 808554LTB-A80

VOLTS 240	R.P.M. 1380	CLASS B130	Hz 50
WATTS 180	TYPE CSR	μF/V S NIL	Ph 1
AMPS 1.25	DUTY AOM	μF/V R 4/440	PROT. AUTO

WARNING MOTOR FITTED WITH INTERNAL AUTO RESET OVERLOAD AND MAY RESTART WITHOUT WARNING

87.0

SPECIAL REQUIREMENTS:

- 1)_ WEATHERPROOF MOTORS TO ES050
- 2)_ FIT CONNECTION LABEL ON THE INSIDE OF CAPACITOR COVER
- 3)_ WASHER FIBRE TO BE FITTED ON TIE RODS D.E. ENDSHIELD

UNLESS OTHERWISE SPECIFIED : DIMENSIONS ARE IN MM. TOLERANCES

DECIMALS	ANGULAR
.X ± 1.0	± 30'
.XX ± 0.1	

THIS DRAWING REMAINS THE PROPERTY OF FASCO MOTORS AND MAY NOT BE USED, COPIED OR ISSUED WITHOUT WRITTEN PERMISSION FROM FASCO MOTORS

MOTOR WEIGHT	6.4 kg.	
DRAWN	Nithad	28/03/2001
CHECKED	Pipat	07/11/2018
RELEASED	Suksakorn	08/11/2018
SCALE	N.T.S.	

FASCO THAILAND
29/7-8 MOO 3, BANGKRUAY - SAINOI Rd., BANGKRANG, MUANG NONGTHABURI DISTRICT, NONGTHABURI 11000 THAILAND

FRAME	MOTOR	
STATUS	R	
SHEET	B072:8554T-180-XCD	
A3	DWG. NO.	808554LTB-A80
	REVISION	H