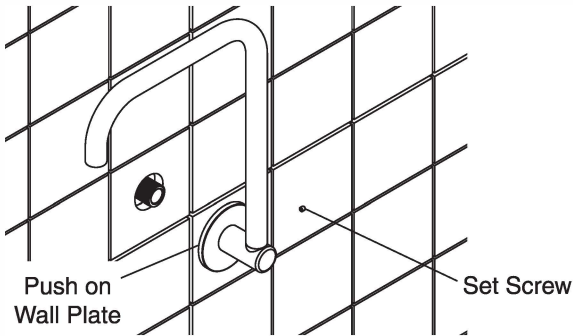
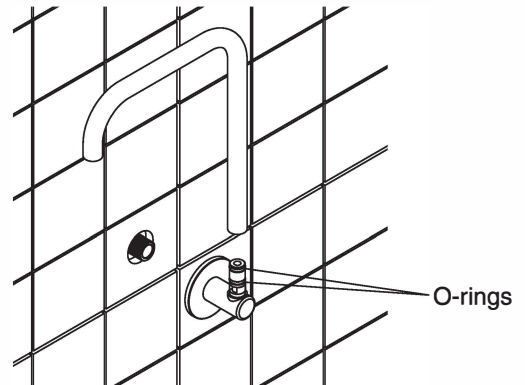


EXO WALL SINK SET (4 STAR)

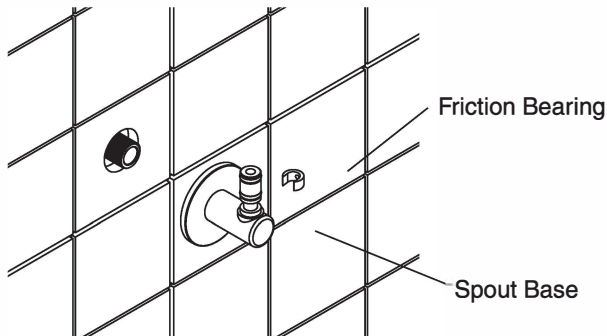
SPOUT FITTING



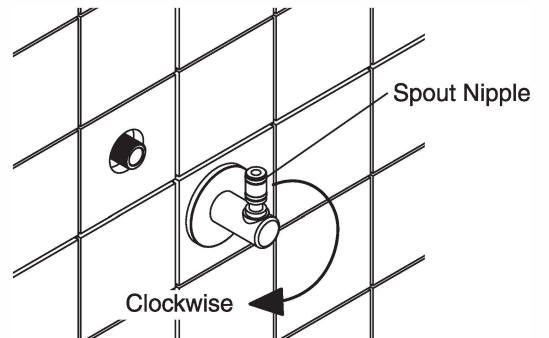
Remove the set screw from the rear of spout assembly and place somewhere safe. Carefully place the push on wall plate onto the assembly if not already done so.



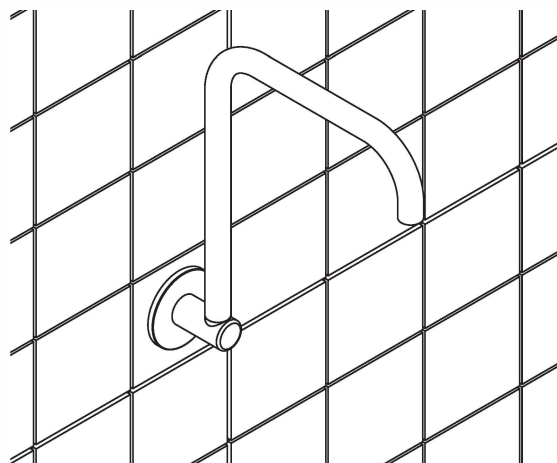
Remove the spout being careful not to damage it or the o-rings.



Remove the friction bearing to avoid any risk of loss or damage while fixing and tightening the spout base.



Apply a sufficient amount of a good quality thread sealant and in a clockwise direction screw the spout base onto the outlet until base is flush with the wall and the spout nipple in a vertical position. Ensure seal is achieved then push the push on wall plate gently against the finished wall. Re-assemble the spout assembly to complete the installation.



EXO WALL SINK SET (4 STAR)

Tap must be installed to the requirements of AS/NZS 3500 by a qualified plumber. The tap seat should have a uniform surface to allow a positive seal between the cartridge and the seat. Tap seats in poor condition must be re-seated.

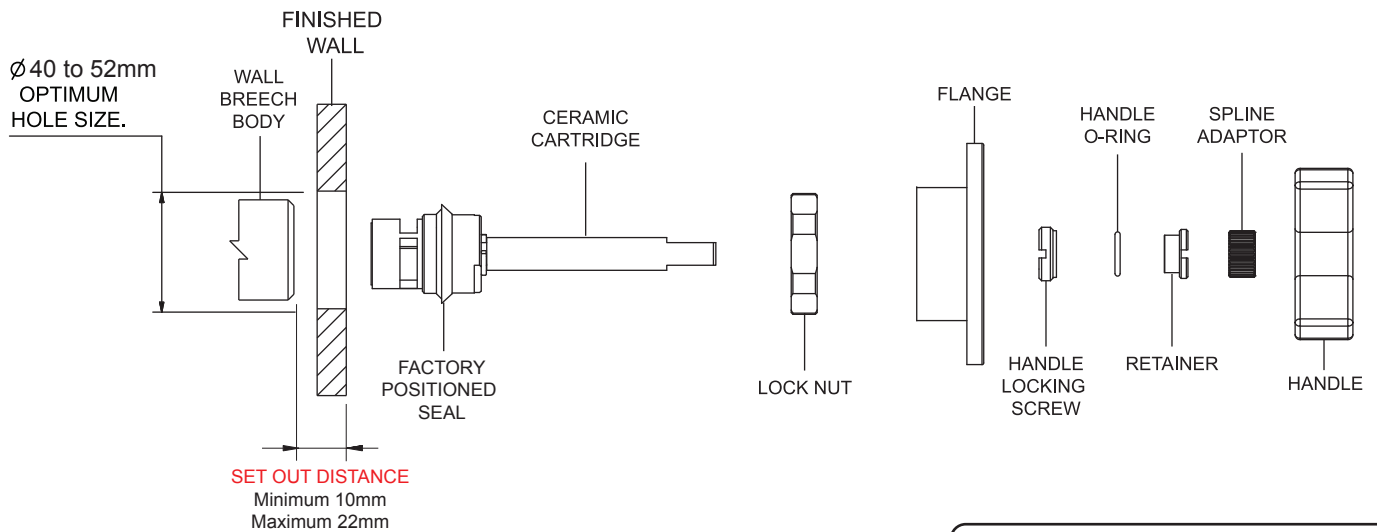
INSTALLATION INSTRUCTIONS

NOTE:

Always flush out pipe work prior to installing ceramic cartridge head works.

This tap is suitable for high pressure applications where both hot and cold water supply pressures are at 150kPa or above.

TAP BODY POSITION & PARTS



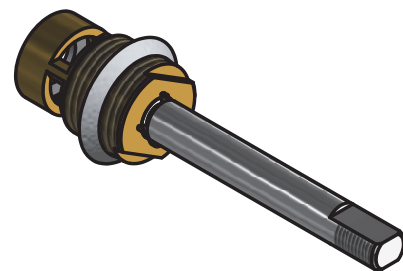
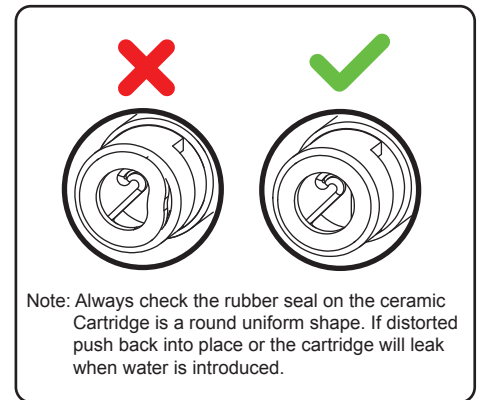
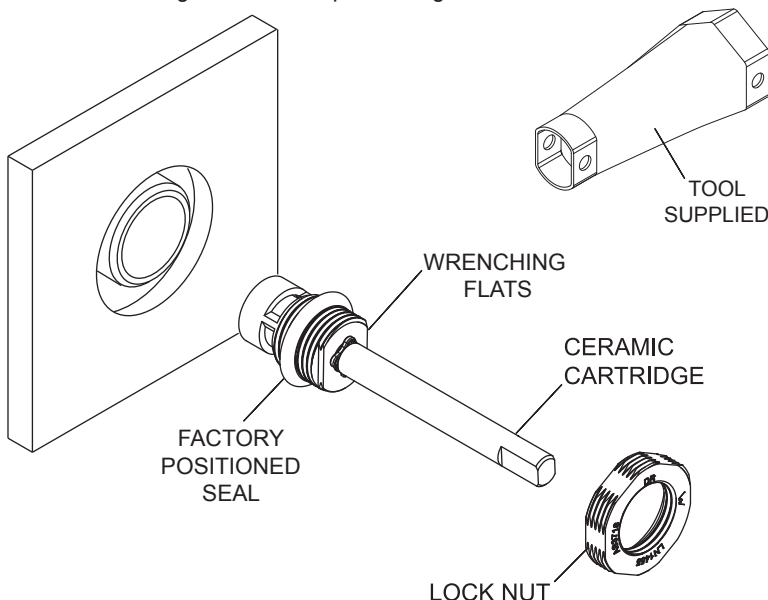
CERAMIC CARTRIDGE INSTALL

Important: Do not move/remove the factory set seal prior to installation.

Place each Ceramic cartridge with the factory set seal into the appropriate breach body. Using the supplied tool, screw the cartridge in until the seat is reached and nip it up until firm. (Recommended torque is 8N/m)

Screw the Lock Nut onto the Ceramic Cartridge and tighten using the opposite end of the supplied tool until a watertight seal is reached. (Lock Nut recommended torque is 25N/m)

Check for water tightness before proceeding.



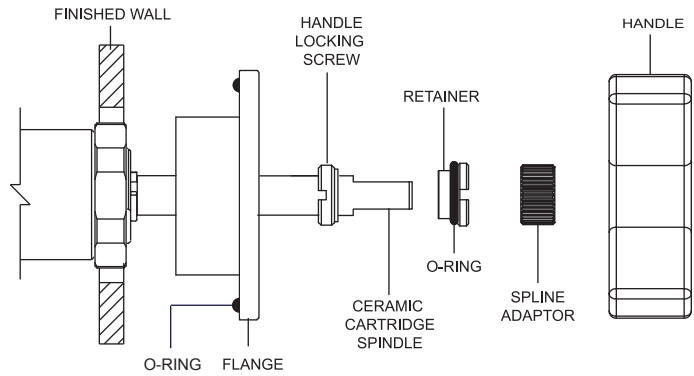
Important: The patented seal design is factory set in position and should not be moved prior to install.

Plumbers, please ensure a copy of the installation instructions is left with the end user for future reference

EXO WALL SINK SET (4 STAR)

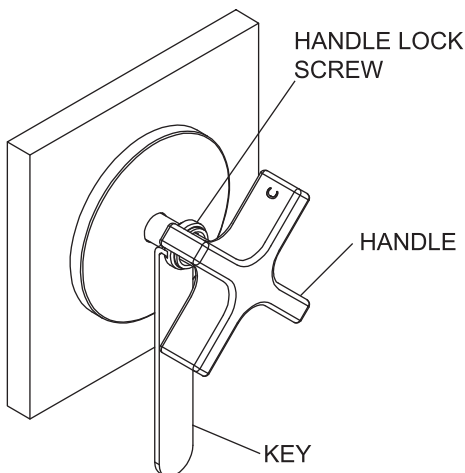
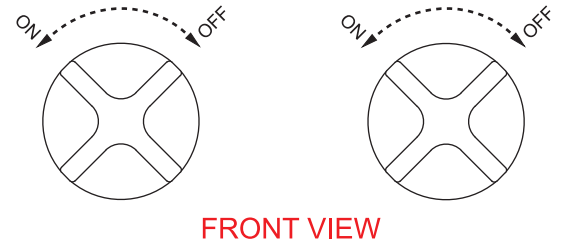
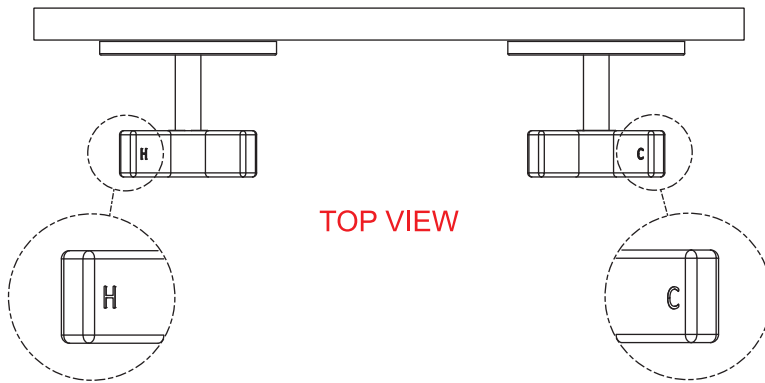
HANDLE FITTING

1. Separate parts from the handle as shown in the illustration to the right.
2. Turn the ceramic cartridge to the off position.
3. Screw the Flange with O-ring onto the cartridge lock nut until flush against the finished wall.
4. Place the handle locking screw onto the spindle, slotted side toward the wall.
5. Place the o-ring onto the retainer if not already done so, then screw all the way onto the spindle.
6. Place the spline adaptor onto the spindle and against the retainer.



HANDLE ORIENTATION

With the valves in the off position, locate and fit the handle over the spline adaptor, ensuring that the handles are aligned in the position displayed below.



SECURE -FIT HANDLE

Bring up the handle lock screw and screw into the back of the handle. Firmly tighten the lock screw using the supplied Key.

Note: If the handle feels loose after installation, remove and ensure the retainer is on as far as it can go on the spindle.