



## Franke Urban City UCG620-78 Granite Double Bowl Inset Sink Onyx

2402985

### SPECIFICATIONS

Recommended Use	Domestic, Hotel & Commercial
Colour	Onyx
Finish	Matte
Material	Fragranite
Bowl Type	Double Bowl
Bowl Configuration	No Drainer
Sink Installation	Inset
Fixing	Fast Fix
Overflow Configuration	Overflow
Taphole Configuration	0 or 1 Taphole
Plug & Waste Type	Basket Waste
Plug & Waste	Included

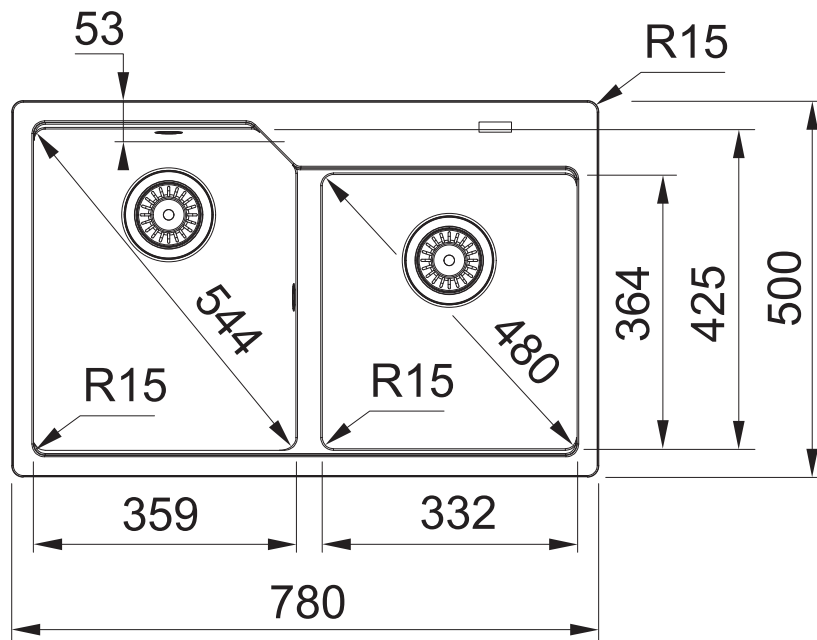
### WARRANTY

Replacement Only - Domestic Use	50 Years
Spare Parts and Labour	12 Months

*Please refer to Warranty Page for full Terms and Conditions*



Sinks must be installed using a cutout template. No responsibility will be taken for damage that occurs where a template has not been used.



Dimensions are nominal measurements only.

### CLEANING RECOMMENDATIONS:

We recommend the use of soapy water or approved cleaners. This product should not be cleaned with abrasive materials. Damage caused by any improper treatment is not covered by the product warranty. Refer to Warranty Conditions.

Disclaimer: Products in this specification manual must by regulation be installed by licensed and registered trade people. The manufacturer/distributor reserves the right to vary specifications or delete models from their range without prior notification. Dimensions are nominal measurements only. Dimensions and set-outs listed are correct at time of publication however the manufacturer/distributor takes no responsibility for printing errors.

Published 15/09/2022

To see the complete Franke range go to [www.reece.com.au](http://www.reece.com.au)

