



WOLFEN

# INSTALLATION MANUAL

---

9513001 Wolfen Wall Basin 400 x 365 x 175mm No Overflow & fixings 1 Taphole White  
9512156 Wolfen Wall Basin Only 400 x 365 x 175mm No Overflow 1 Taphole White

---

9513002 Wolfen Wall Basin 500 x 420 x 190mm No Overflow & fixings 1 Taphole White  
9512157 Wolfen Wall Basin Only 500 x 420 x 190mm No Overflow 1 Taphole White

---

9513003 Wolfen Wall Basin 600 x 480 x 205mm No Overflow & fixings No Taphole White  
9512158 Wolfen Wall Basin Only 600 x 480 x 205mm No Overflow No Taphole White

---

9513004 Wolfen Wall Basin 600 x 480 x 205mm No Overflow & fixings 1 Taphole White  
9512159 Wolfen Wall Basin Only 600 x 480 x 205mm No Overflow 1 Taphole White

---



9513001 (9512156)  
400 x 365 x 175mm



9513002 (9512157)  
500 x 420 x 190mm



9513003 (9512158)  
600 x 480 x 205mm



9513004 (9512159)  
600 x 480 x 205mm



**WOLFEN™**

## **CONTENTS**

Intro	02
Technical Information	03 - 05
Installation Instructions	06
Cleaning	06
Warranty	07

## **Delivering unrivalled quality**

Manufactured using the highest grade ceramics and precision moulding, Wolfen has absolute commitment to the quality and strength of its basin range. These basins will bring style and functionality to any assisted living space.

# TECHNICAL INFORMATION

Model	Wolfen Wall Basin
Product Code	9513001: Wall Basin 400 x 365 x 175mm No Overflow & fixings 1 Taphole 9513002: Wall Basin 500 x 420 x 190mm No Overflow & fixings 1 Taphole 9513003: Wall Basin 600 x 480 x 205mm No Overflow & fixings No Taphole 9513004: Wall Basin 600 x 480 x 205mm No Overflow & fixings 1 Taphole
Material	Vitreous China
Colour	White
Fixings	Wall Mount Basin Fixing Bolt Kit (Supplied)
Integral Overflow	No
Waste	32 x 40mm non overflow Plug & Waste supplied separately

**NOTE:** Can be installed to comply with AS1428.1

**Dimensions are nominal measurements only.**

Disclaimer: Products in this installation manual must by regulation be installed by licensed and registered trade people. The manufacturer/distributor reserves the right to vary specifications or delete models from range without prior notification. Dimensions are nominal measurements only. Dimensions and set-outs listed are correct at time of publication however the manufacturer/distributor takes no responsibility for printing errors.

**Wolfen Wall Basin**



9513001  
400 x 365 x 175mm



9513002  
500 x 420 x 190mm



9513003  
600 x 480 x 205mm

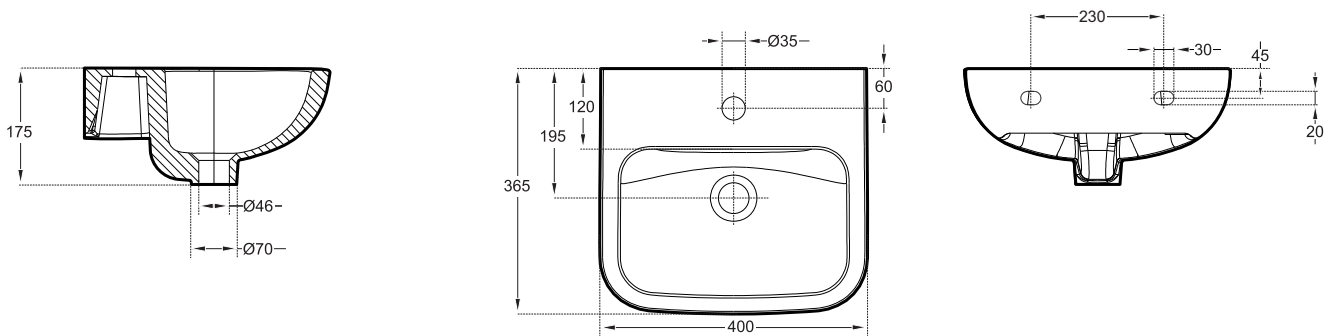


9513004  
600 x 480 x 205mm

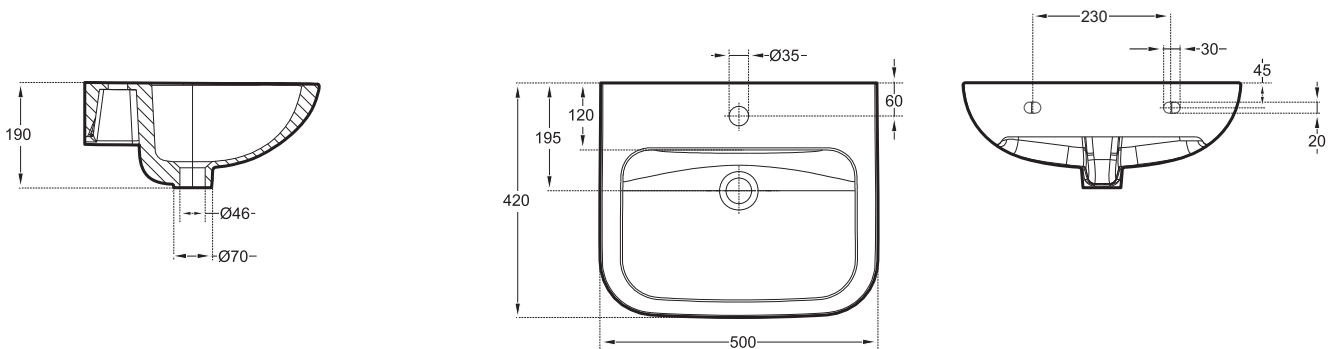
# TECHNICAL INFORMATION

## Wolfen Wall Basin

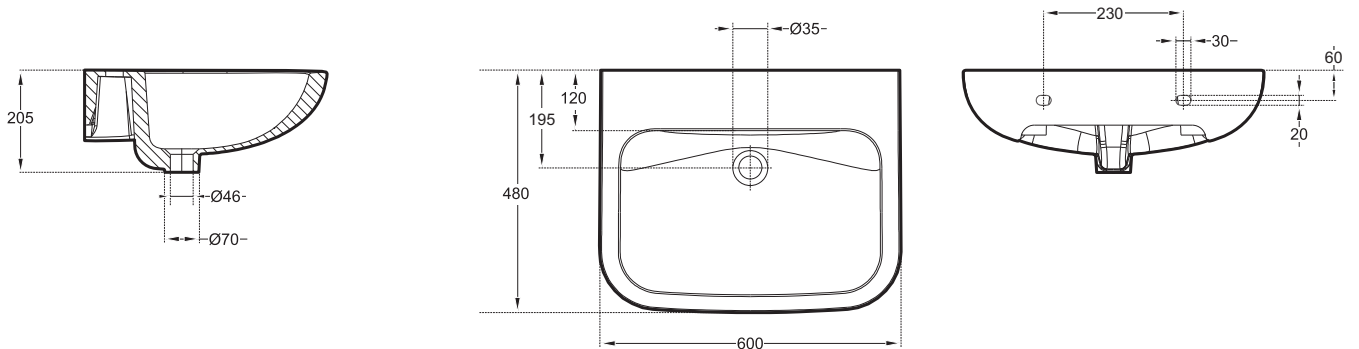
9513001 (9512156)



9513002 (9512157)



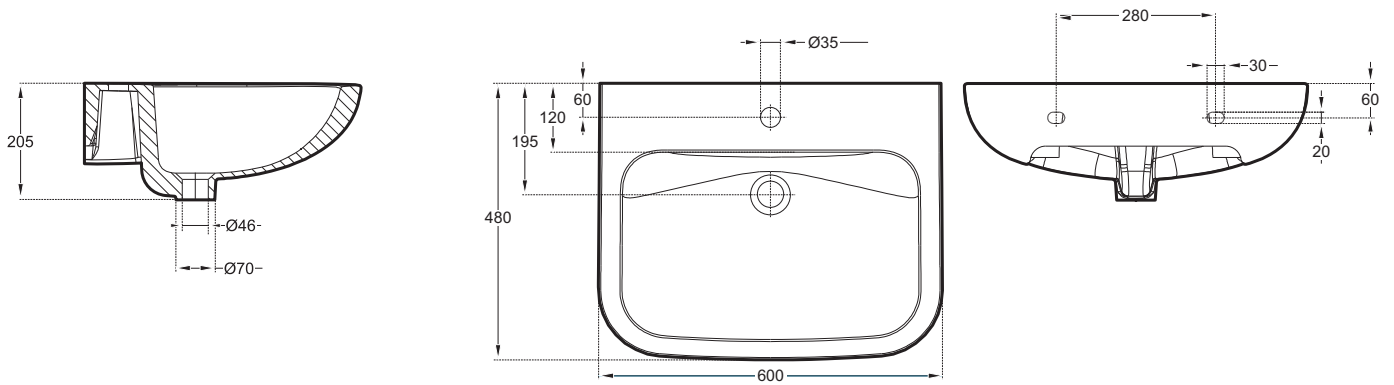
9513003 (9512158)



# TECHNICAL INFORMATION

## Wolfen Wall Basin

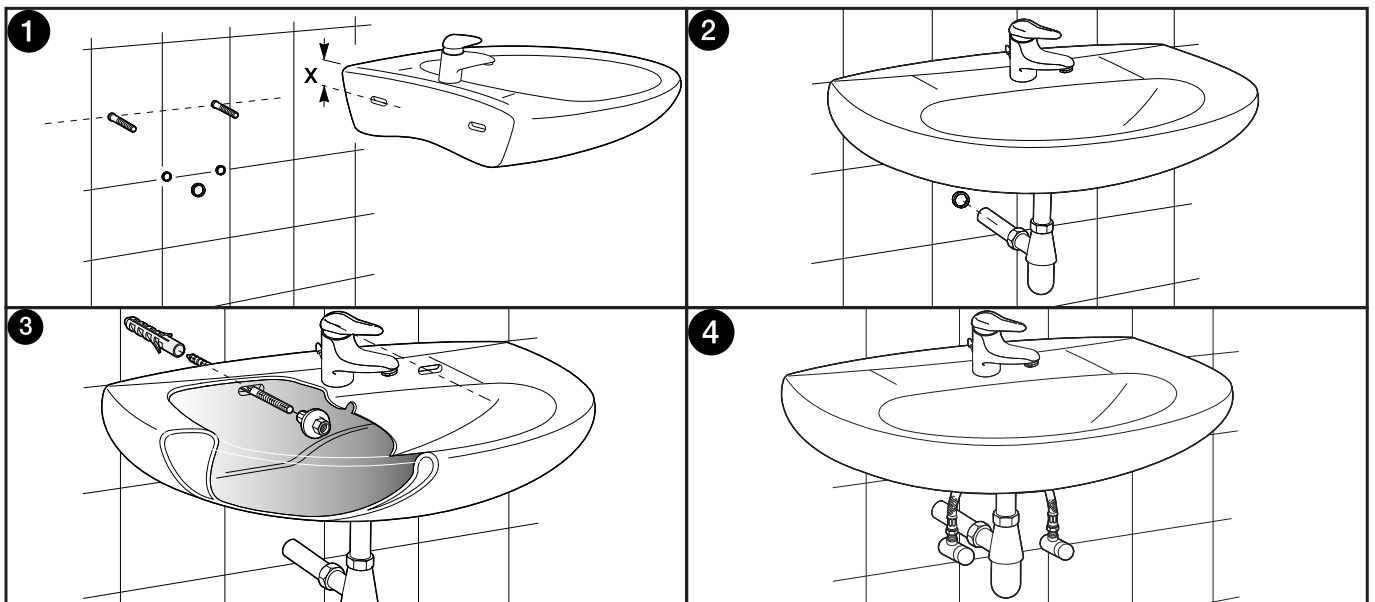
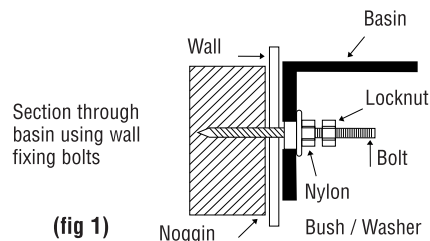
9513004 (9512159)



# INSTALLATION INSTRUCTIONS

**Note: All measurements are taken from finished wall and floor. If fixing to timber framed walls or partitioning, the wall should be reinforced with noggins to receive fixing bolts/screws.**

- Drill holes into walls at a suitable height into fixing centres and install fixing bolts supplied (fig 1).
- Fit selected tapware to basin. Fit the selected waste, without overflow if required to basin ensuring it is sealed with silicone on top.
- Carefully align basin complete with fittings onto protruding bolts.
- Insert nylon bushes and locking nut and partially tighten lock nuts to hold basin into position. Make minor adjustments at this stage to ensure basin is level and then fully tighten lock nuts. Do not over tighten.
- If desired all visible external edges can be joint sealed using flexible sealant ensuring to wipe off any excess.



## AS1428.1 Installation

Basin dimensions provide acceptable access under basin when fitted to the specified mounting height from finished floor in AS1428.1.

Position of tapware with extended levers must also be considered when installing this basin to comply with AS1428.1.

## CLEANING

We recommend the use of soap water or approved cleaners. This product should not be cleaned with abrasive materials. Damage caused by any improper treatment is not covered by the product warranty. Refer to Warranty Conditions.

# REECE PRODUCT QUALITY GUARANTEE



You have purchased a quality product from Reece Australia Pty Ltd ABN 84 004 097 090 (“Reece”). This product is covered by a 5 year product warranty and a 12 month warranty over spare parts and labour.

## 5 YEAR WARRANTY

This warranty covers faults in the product construction, material and assembly. Products which are within 5 years from the date of purchase, found upon inspection by an authorised Reece representative, to be defective in construction, material or assembly, will be repaired or exchanged with an equivalent product free of charge. Replaced items become Reece’s property.

All replacement products will be available for collection without charge to the customer at the nearest Reece branch to the customer’s location, or elsewhere as agreed between the customer and Reece.

## Labour and Spare Parts

The labour for the replacement of products and spare parts to which this warranty applies will be supplied by Reece or relevant supplier using licensed plumbers engaged by Reece or relevant supplier within 1 year from the date of purchase. Spare parts other than those listed in the Manufacturer’s Provisions above, which are within 1 year from the date of purchase found upon inspection by an authorised Reece representative to be defective in construction, material or assembly, will be replaced free of charge.

## Warranty Conditions

This warranty will apply only under all of the following conditions:

- The item has been installed by a licensed plumber
- Failure is due to a fault in the manufacture of the product
- Proof of purchase (including the date of purchase) is provided
- The installation of the product is in accordance with the instructions provided

This warranty does not cover products purchased as an ex-display without being fully checked and tested for sale by the manufacturer.

This warranty does not include faults caused by:

- Unsuitable or improper use
- Incorrect installation or installation not in accordance with the instructions provided
- Installation or part installation by the purchaser or any person other than a LICENSED PLUMBER
- Normal wear and tear
- Inadequate or complete lack of maintenance
- Chemical, electrochemical or electrical influences
- Harsh detergents or abrasive cleaners used on product finishes

## EXCLUSIONS

To the fullest extent permitted by law, Reece excludes all liability for damage or injury to any person, damage to any property, and any indirect consequential or other loss or damage.

## CLAIM PROCEDURE

For all warranty queries customers are to contact the branch where the product was purchased. These details can be found on your purchase invoice.

Our goods come with guarantees that cannot be excluded under the Australian Consumer Law. You are entitled to a replacement or refund for a major failure and for compensation for any other reasonably foreseeable loss or damage. You are also entitled to have the goods repaired or replaced if the goods fail to be of acceptable quality and the failure does not amount to a major failure.

**Don’t risk it, use a licensed plumber.™**

**IF AFTER CHECKING THE  
INSTALLATION INSTRUCTIONS  
AND IMPORTANT  
INFORMATION, THE PROBLEM  
HAS NOT BEEN IDENTIFIED,  
CUSTOMERS ARE TO  
CONTACT THE BRANCH  
WHERE THE PRODUCT WAS  
PURCHASED. THESE DETAILS  
CAN BE FOUND ON YOUR  
PURCHASE INVOICE.**

**General contact details for  
Reece are as follows:**

**Reece Australia Pty Ltd**

**57 Balmain Street**

**Cremorne VIC 3121**

**+61 3 9274 0000**

**[admin@reece.com.au](mailto:admin@reece.com.au)**





**WOLFEN™**

[reece.com.au/wolfen](https://reece.com.au/wolfen)