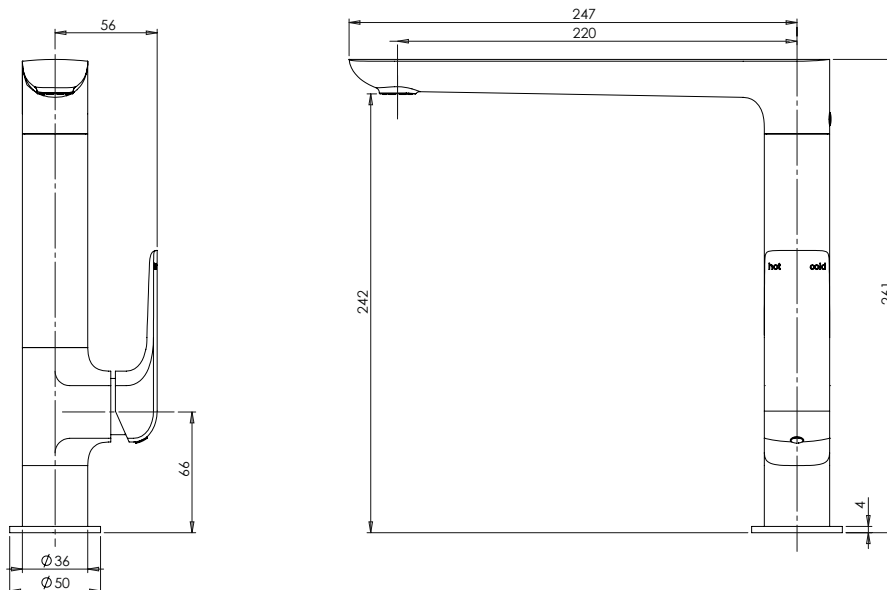


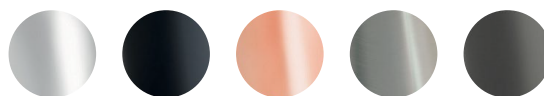
MILLI GLANCE

SINK MIXER



SPECIFICATIONS

Recommended Use	Domestic, Hotel and Commercial
Colour Availability	<ul style="list-style-type: none"> Chrome Matte Black Rose Gold Brushed Nickel Gun metal
Pressure Rating	<p>Maximum continuous operating pressure 500 kPa</p> <p>Note: As per AS/NZS 3500 pressure must be limited to 500 kPa on any new home, extension or renovation.</p> <p>Note: For best performance and longer life we recommend 150-500 kPa</p>
Temperature Rating	<p>Maximum continuous working temperature 75°C</p> <p>Minimum 1°C</p>
Suitable Hot Water	<p>Storage Tank: Yes</p> <p>Continuous Flow: Yes</p> <p>Gravity Feed: Not Recommended</p>



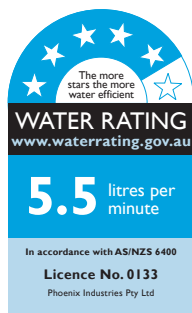
To see the complete MILLI GLANCE range go to www.reece.com.au/bathrooms

CLEANING RECOMMENDATIONS

We recommend the use of soapy water or approved cleaners.

This product should not be cleaned with abrasive materials.

Damage caused by improper treatment is not covered by the product warranty - refer to warranty conditions.



Disclaimer: Products in this specification manual must by regulation be installed by licensed and registered trade people. The manufacturer/distributor reserves the right to vary specifications or delete models from their range without prior notification. Dimensions are nominal measurements only. Dimensions and set-outs listed are correct at time of publication however the manufacturer/distributor takes no responsibility for printing errors.

Tech Page Version 2



MILLI GLANCE

SINK MIXER

INSTALLATION INSTRUCTIONS

Milli Glance Sink Mixer Installation Instruction

Water Supply Requirements

To ensure optimum performance and customer satisfaction please adhere to the following:

- Maximum hot water temperature 75°C.
- Recommended minimum working pressure 150kPa.
- Recommended maximum working pressure 500kPa.

If the water pressure exceeds or is likely to exceed 500kPa, an approved pressure limiting valve must be fitted.

- Flush out all pipe work prior to installation.
- If the water temperature exceeds 75°C an approved tempering valve must be fitted.
- Installation should comply with Australian standard AS3500.1 or relevant local authority requirements.

Failure to comply with the above may void all warranties. For details on Phoenix's warranty policy refer to www.phoenixtapware.com.au

Maintenance and Care

Do not use cleaning agents containing a corrosive acid or scouring agent. Do not use cream cleaners, as they are abrasive.

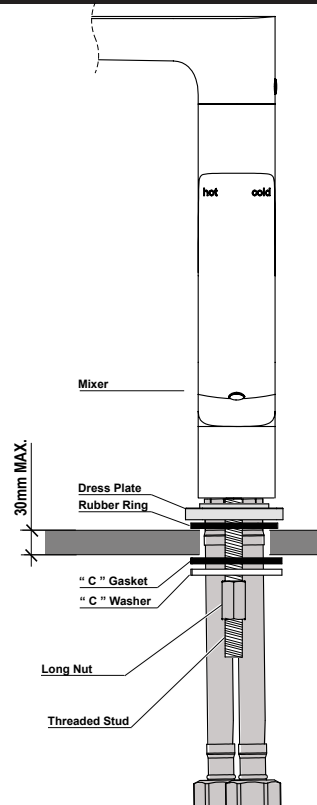
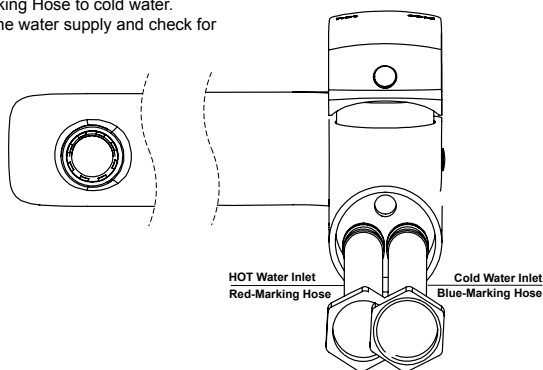
Surfaces should only be cleaned with a cloth and clear water of mild liquid detergent. Use of unsuitable cleaning agents may damage the surface.

Guarantee

This product is guaranteed against faulty workmanship and materials for 1 year from the date of purchase. Installation must be done by a licensed plumber or this guarantee will be void.

Installation Instruction

- 1 : Cut a mounting hole 35mm in diameter.
- 2 : Remove one of the hose assemblies from the mixer. Run Dress Plate over both Hose Assembly, as shown.
- 3 : Reattach the hose assembly to Mixer and fasten with a spanner.
- 4 : Screw the threaded stud into mixer base.
- 5 : Fit the rubber ring into Dress Plate groove.
- 6 : Position Mixer over the mounting hole. Feed the hoses through the mounting hole.
- 7 : From underneath the bench, fit "C" gasket and "C" washer over both hoses and the threaded stud .
- 8 : Screw on long nut and fasten firmly with a tube spanner to secure the mixer.
- 9 : Connect the water supply.
Red-Marking Hose to hot water.
Blue-Marking Hose to cold water.
- 10: Turn on the water supply and check for leaks.



IN0146 revA