

# posh

## Domaine Shelf Shaving Cabinet



### SPECIFICATIONS

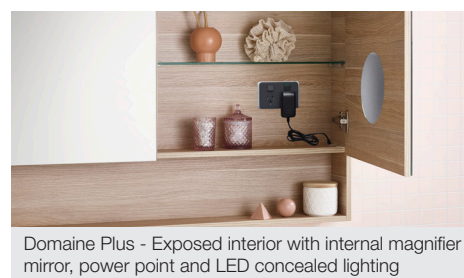
<b>Recommended Use</b>	Domestic, Hotel and Commercial
<b>Unit Material</b>	MDF MR E0 (Medium Density Fibreboard, Moisture Resistant, Rated Emission Level E0) 4mm Copper-Free Material
<b>Colour Variations</b>	Available in a large selection of colours and cabinet finishes including: - Textured, Woodmatt and Natural Woodgrain finish - Silk finish - Polyurethane finish (Plus Models only)
<b>Shelves</b>	Adjustable internal glass shelves.
<b>Interior</b>	Exposed interior*.
<b>Doors / Handle</b>	Soft-close doors with finger pull.
<b>Fixing</b>	Bolted/Screwed to the wall by a licensed tradesperson - Fixings not included.

To see the complete Posh range go to

[www.reece.com.au/bathrooms](http://www.reece.com.au/bathrooms)



Domaine - Exposed interior with internal magnifier mirror



Domaine Plus - Exposed interior with internal magnifier mirror, power point and LED concealed lighting

### MODEL INCLUSIONS

DOMAINE	DOMAINE PLUS
Internal magnifier mirror.	Internal magnifier mirror.
	Internal double power point with cord provision for utilising power point with door closed.
	LED concealed lighting.
	Polyurethane cabinet finishes also available (see page 2)*.

\* Woodgrain cabinets feature a matching woodgrain interior. White and Matte Milton Moon Grey polyurethane cabinets feature a white satin interior, Matte Black polyurethane cabinets feature a black satin interior.

STANDARD SIZES (mm)	300	400	500	600	750	900	1200
Width (mm)	300	400	500	600	750	900	1200
Depth (mm) (Standard / Plus)	152/159	152/159	152/159	152/159	152/159	152/159	152/159
Height (mm)	1000	1000	1000	1000	1000	1000	1000
Number of Doors	1	1	1	2	2	2	2
Number of Shelves	2	2	2	2	2	2	4

Please note these are overall measurements.

**Disclaimer:** Products in this specification manual must by regulation be installed by licensed and registered trade people. The manufacturer/distributor reserves the right to vary specifications or delete models from their range without prior notification. Dimensions are nominal measurements only. Dimensions and set-outs listed are correct at time of publication however the manufacturer/distributor takes no responsibility for printing errors.

Tech Page Version 1

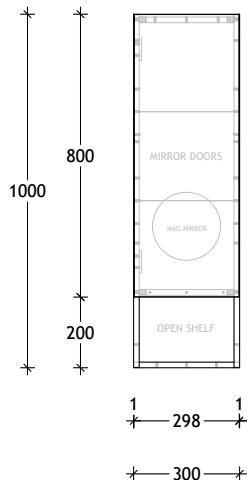




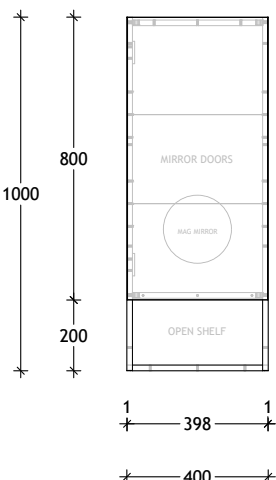
# Domaine Shelf Shaving Cabinet

## Domain Shelf Shaving Cabinet

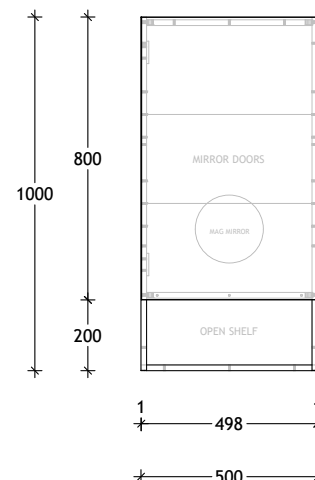
300mm



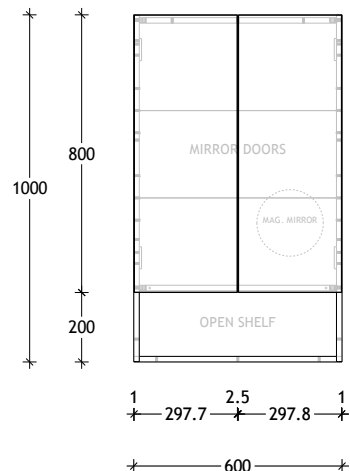
400mm



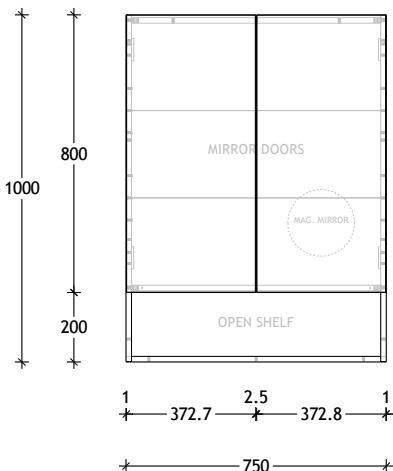
500mm



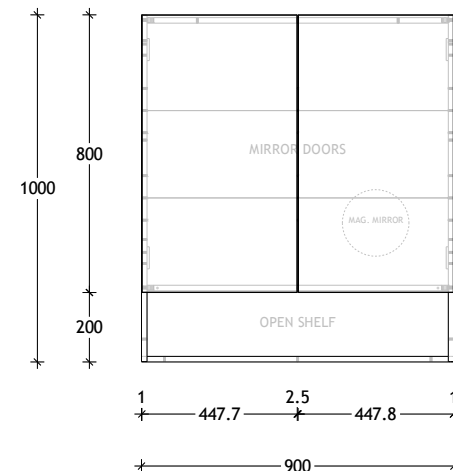
600mm



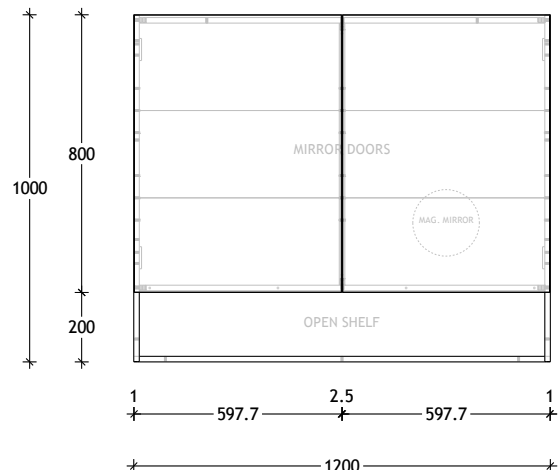
750mm



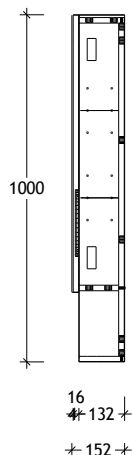
900mm



1200mm



Side View

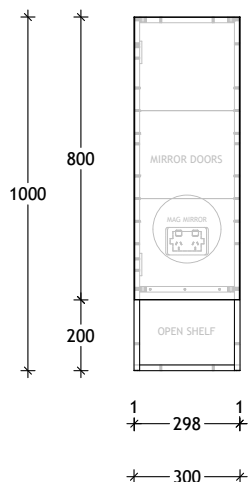




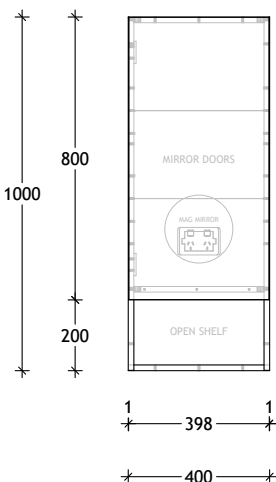
# Domaine Shelf Shaving Cabinet Plus

## Domain Shelf Shaving Cabinet Plus

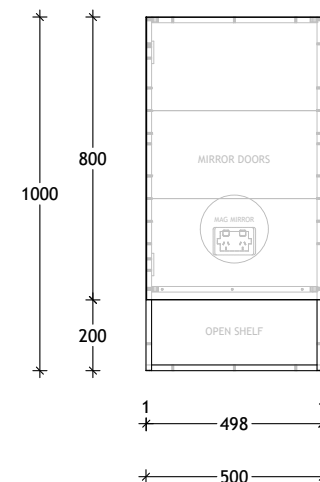
300mm



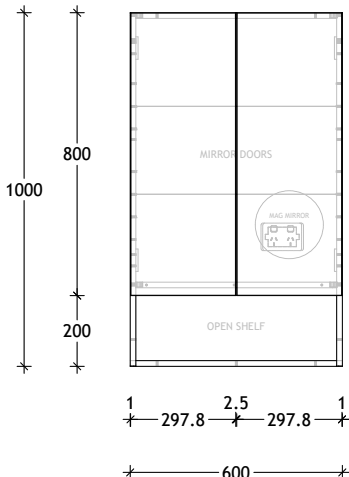
400mm



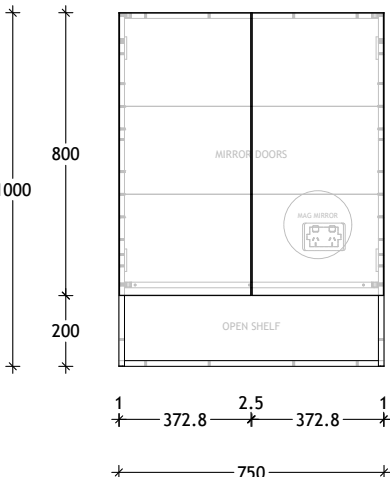
500mm



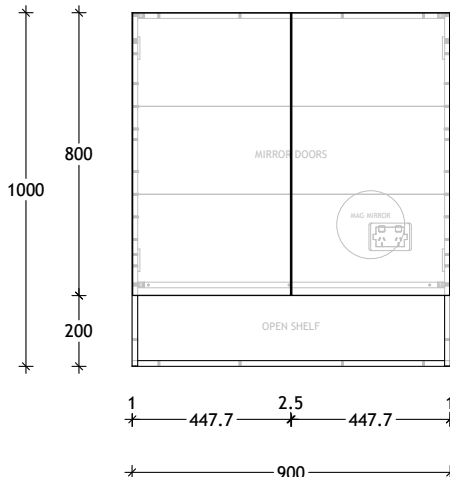
600mm



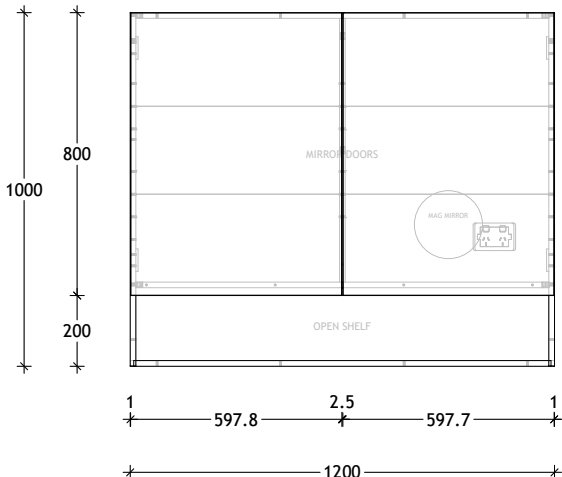
750mm



900mm



1200mm



Side View

