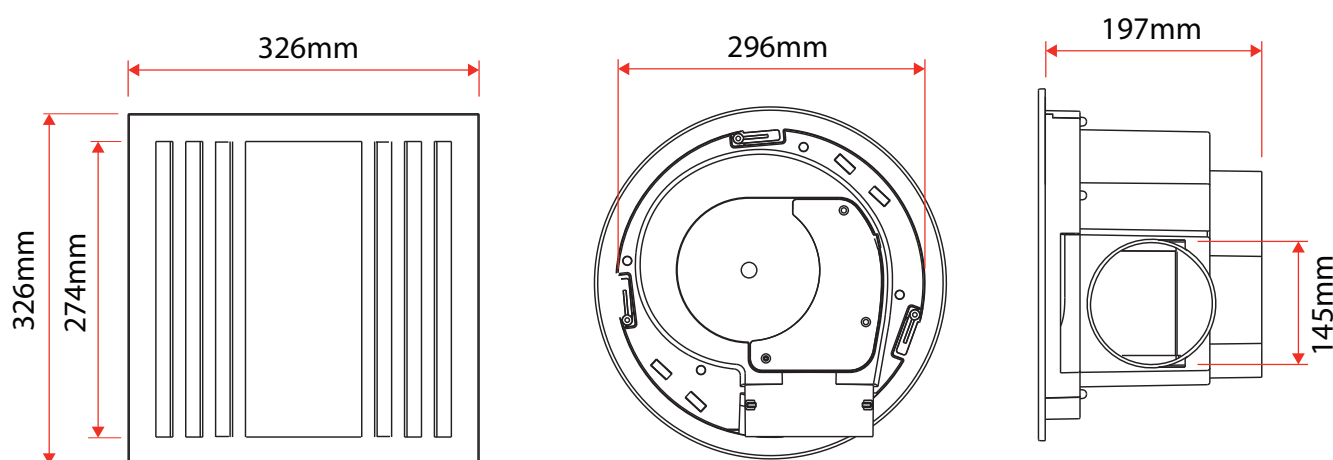


# KADO

## LUX EXHAUST FAN 250



Dimensions are nominal measurements only.

### SPECIFICATIONS

<b>Recommended use</b>	Domestic, Hotel and Commercial
<b>Material</b>	ABS Plastic/Stainless Steel
<b>Colour availability</b>	White, Silver
<b>Fascia Size</b>	326 x 326mm
<b>Weight</b>	3.8kg
<b>Exhaust</b>	50w side ducted
<b>Air Movement</b>	99 L/sec (356m <sup>3</sup> /H)*
<b>Air Outlet Size</b>	150mm
<b>Cutout Size</b>	296mm diameter round
<b>Min Install Depth</b>	220mm
<b>Install Type</b>	AC Plug and lead included
<b>IP Rating</b>	IPX4



To see the complete KADO range go to [www.reece.com.au/bathrooms](http://www.reece.com.au/bathrooms)

\*All Airflow data has been gathered in accordance with International Industry Standards ISO 5801.

### CLEANING RECOMMENDATIONS

We recommend the use of soapy water or approved cleaners.

This product should not be cleaned with abrasive materials.

Damage caused by any improper treatment is not covered by the product warranty. Refer to Warranty Conditions.

PART NO.		REECE CODE
REX250WH	White	2053293
REX250SS	Silver	2053295

Also see:

- REX200WH/SS for smaller unit
- REX250WHL/SSL for LED Light version

**Disclaimer:** Products in this specification manual must by regulation be installed by licensed and registered trade people. The manufacturer/distributor reserves the right to vary specifications or delete models from their range without prior notification. Dimensions are nominal measurements only. Dimensions and set-outs listed are correct at time of publication however the manufacturer/distributor takes no responsibility for printing errors.

Tech Page Version 1

# KADO

## LUX EXHAUST UNIT 250

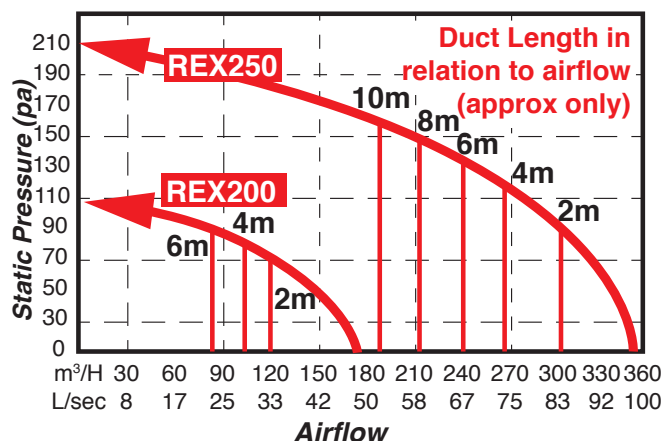
### TECHNICAL SPECIFICATIONS

#### EXHAUST

Air Delivery	99 L/sec (356m <sup>3</sup> /H)*
Motor Power	50 watts
Noise Level	42dB(A)
Ball Bearing	Yes
Duct Outlet Size	150mm
Draft Stopper	Yes

#### INCLUDES

1 x Exhaust Unit
1 x Cutout Template



\*All Airflow data has been gathered in accordance with International Industry Standards ISO 5801.

#### PACKAGING

Packaging Size	340 x 340 x 340mm
Gross Weight	4kg

#### INSTALLATION

Cut Out Size	296mm Diameter Round
Fascia Size	326 x 326mm
Rec Min Install Depth	220mm
IP Rating	IPX4 Splash Resistant
Installation Type	AC Plug and Lead Included
Power Supply	220-240V ~50Hz

### AVAILABLE SPARE PARTS AND ACCESSORIES

Part Number	Supplier	Description
V150DKIT	Ventair	Ducting Kit with 1 x Ø150mm Grille and 6m Aluminium ducting.
VAD150	Ventair	Ø150mm x 6m Aluminium Ducting.
V150PALG	Ventair	Premium Aluminium External Vent
VTROTIMER	Ventair	Fully adjustable 1-25min exhaust fan run-on timer.
VTMSSENSOR	Ventair	Infrared motion sensor with 1-5m detection range and 1-20min run-on timer.

# KADO

## LUX EXHAUST UNIT 250

### INSTALLATION INSTRUCTIONS

Please read these instructions carefully before installing and using the product. Keep the instructions handy for future reference. Electrical wiring must only be done by a licensed electrician and a "Certificate of Compliance" must be issued on completion of the installation.

### LOCATION

The unit must be located and installed in accordance with AS/NZS 3000 and local building codes relating to damp situations. The unit can be installed in flat ceilings with a minimum height of 2 metres. At least 200mm height clearance in the ceiling cavity is required to ensure sufficient ventilation for moisture to disperse.

Ensure adequate inlets exist through windows, vents or under the door for airflow.

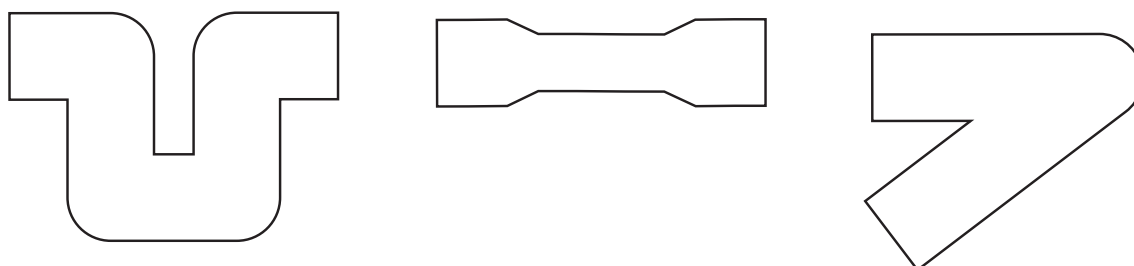
Regulations concerning the discharge of air must be fulfilled.

### POWER

AC220~240V, 50Hz electrical supply is required. The unit can be connected to a lighting or power circuit if loading permits. All electrical work must be carried out in accordance with AS/NZS 3000 or latest edition thereof, and local building codes and regulations. Ensure that supply power is isolated before commencing installation.

### IMPORTANT CONSIDERATIONS

1. This appliance is not intended for use by persons (including children) with reduced physical, sensory or mental capabilities. Or lack of experience and knowledge, unless they have been given supervision or instruction concerning use of the appliance by a person responsible for their safety.
2. Children should be supervised to ensure that they do not play with the appliance.
3. Fan must be installed at least 1200mm above any hotplate and must have at least 500cm clearance at the exhaust outlet.
4. Do not install fan in locations that may get extremely hot.
5. Ensure the fan has at least 20mm clearance in the ceiling space before installing.
6. Minimum installation height is 2100mm from the floor to the bottom of the exhaust fan.
7. If the room where the fan is to be installed already contains a stove, water heater or a gas fire, it is essential to ensure that air supply to the room is enough for both the fan and the combustion appliance.
8. Please check the appliance has not been damaged during transportation.
9. Check the electrical specifications label corresponds to your electrical supply.
10. When using double pole switch connection, the switch must have a minimum 3mm separation on all poles.
11. If the supply cord is damaged, it must be replaced by the manufacturer, its service agent, or similar qualified person in order to avoid a hazard.
12. When adding duct, avoid bending the duct in the following shapes:



13. Adhere to the latest national wiring rules AS/NZS3000, for wiring and when installing in bathrooms, nearby sinks and water taps.
14. For the exhaust fan to work effectively, replacement air of volume equivalent to what is being extracted must be able to enter the room. In general, this air would be drawn under the door or through a slightly open window. If the room is air tight, the fan will function poorly.
15. Before commencing any cutting, check in the mounting location so that there is no obstruction such as ceiling frames or joints, and that there is sufficient height clearance for the housing. Check the electrical wiring can be routed from the wall switch to the mounting location.
16. This fan is not intended for mounting in outside windows or walls.

# KADO

## LUX EXHAUST UNIT 250

### INSTALLATION INSTRUCTIONS

**WARNING: AN ALL-POLE DISCONNECTION MUST BE INCORPORATED INTO THE FIXED WIRING IN ACCORDANCE WITH THE WIRING RULES AS OUTLINE IN CLAUSE 7.12.2 OF AS/NZS 60335-1 FOR MEETING THE MINIMUM ELECTRICAL SAFETY OF THIS STANDARD.**

**Warning:** Ensure the power supply to the exhaust fan is switch OFF before carrying out any installation and maintenance.

**Note:** A double pole disconnection switch must be included in the electrical wiring of the exhaust fan.

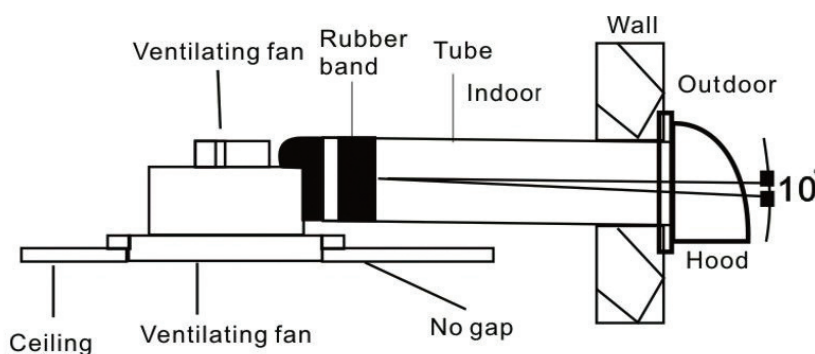
1. Check the fan is free to rotate.
2. Cut the hole for the fan according to the template provided.
3. Plug into socket outlet and secure fan body using the three clips when tightening to secure the fan.

*Note: A socket outlet and electrical wiring to an ON/OFF wall switch must be pre-installed. Please arrange a Licensed Electrician to prepare the socket outlet and ON/OFF wall switch before carrying out the installation of this exhaust fan.*

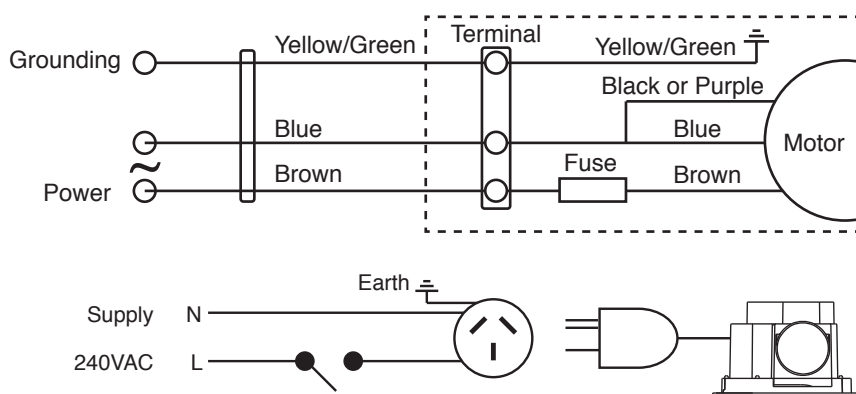
4. Secure the panel/fascia by squeezing the spring fasteners and insert into the slot in the fan body. Check that the panel is secured firmly and closely to the fan body.

*Note: Switch ON the fan and check for excessive vibration in the fan. If the fan runs in a sound way without abnormal noise, then install the panel.*

*The vent duct should be declined downwards by about 10 degrees.*



### ELECTRICAL WIRING



### CARE AND MAINTENANCE

- Make sure the fan is always switched off before cleaning.
- Make sure to use the fan with the specified voltage as stated on the rating label.
- Use the fan in a dry place, avoid excess humidity and water.
- Never immerse any part of the fan in water or other liquids.
- Never use petrol benzene or other such chemicals.
- Never allow water to contact the electrical parts such as switch and motor.
- Never immerse blades or other resin parts in hot water over 60°C.
- Never install the fan in extremely hot environments.

Electricians, please ensure a copy of the installation instructions is left with the end user for future reference