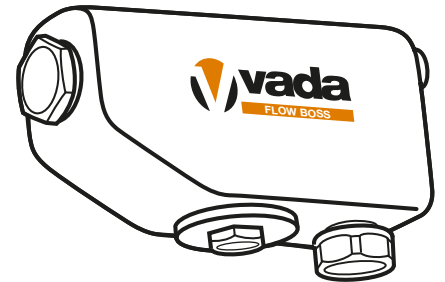
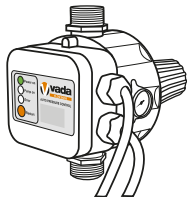


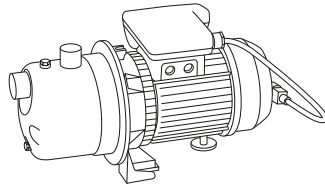
MECHANICAL WATER SWITCHING UNIT 20MM SPEC SHEET



COMPATIBLE VADA PRODUCTS:



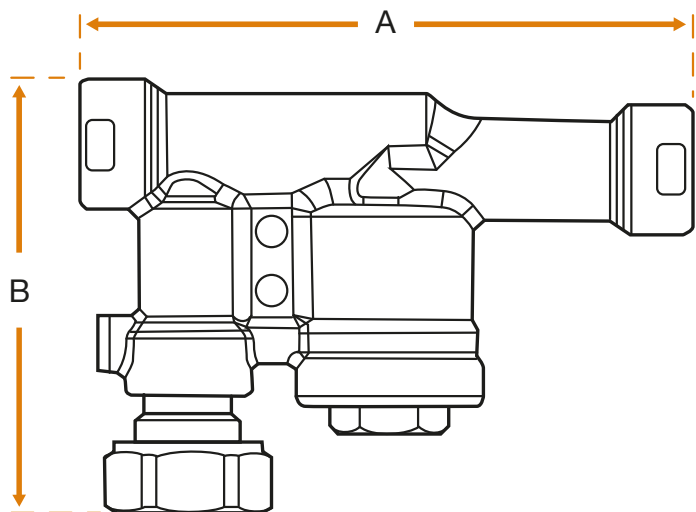
□ Vada Flow Boss
Automatic Pressure Control
VFB-APC



□ Vada Flow Boss Jet Pump
VFB-J40, VFB-J60

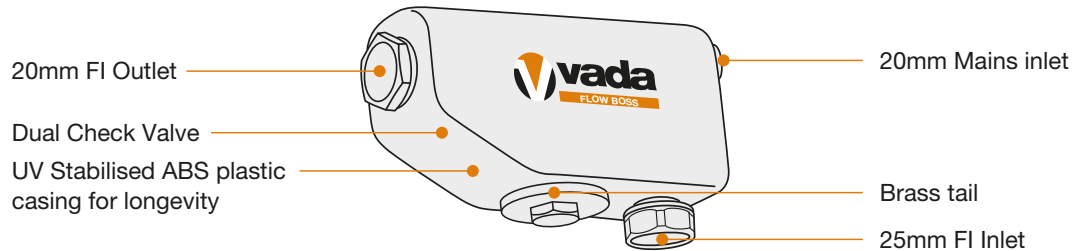
PRODUCT DIMENSIONS:

- A. 150mm
- B. 105mm





PRODUCT FEATURES:



SPECIFICATIONS

Pump inlet	25mm FI
Mains water in	20mm FI
Outlet	20mm FI
Max mains pressure	500kPa
Min pump pressure	300kPa
Max pump pressure	600kPa
Max flow rate	50 litres per minute
Max water temp	40°C