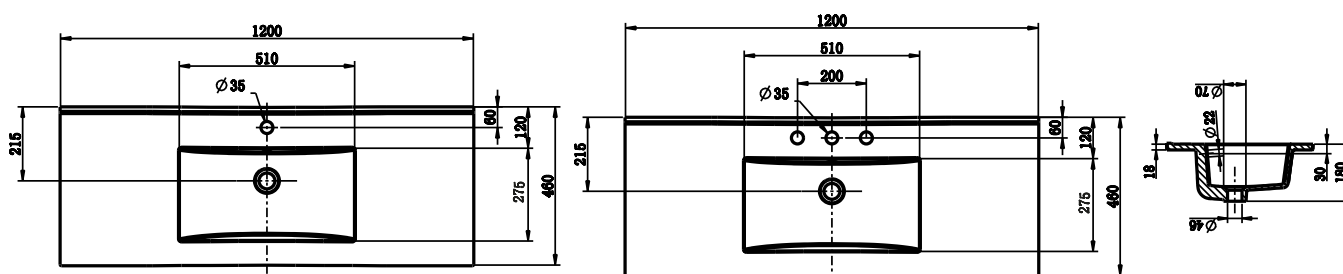


## Posh Bristol MK2 Wall Hung Vanity Unit 1200mm



### SPECIFICATIONS

<b>Recommended use</b>	Domestic, hotel, and commercial
<b>Basin material</b>	Vitreous china
<b>Cabinet material</b>	MDF (2 Pac polyurethane)
<b>Colour availability</b>	White
<b>Taphole option</b>	1 or 3 Taphole
<b>Capacity</b>	6 Litres
<b>Integrated overflow</b>	Yes
<b>Plug and waste</b>	32x40mm with overflow (not supplied)
<b>Fixing</b>	Top siliconed to cabinet, cabinet screwed back to wall

To see the complete Posh range go to [www.reece.com.au/bathrooms](http://www.reece.com.au/bathrooms)

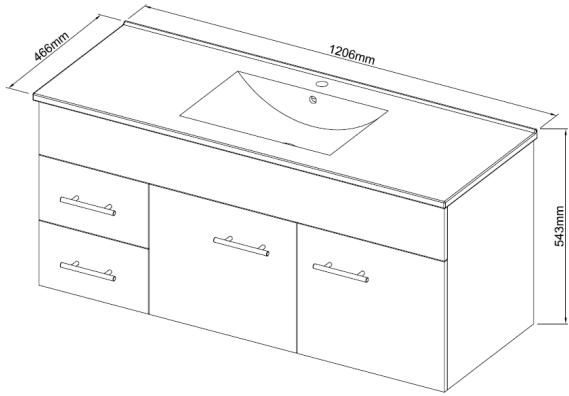
### CLEANING RECOMMENDATIONS

We recommend the use of soapy water or approved cleaners.

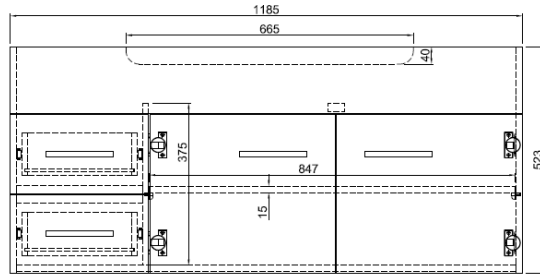
This product should not be cleaned with abrasive materials.

Damage caused by any improper treatment is not covered by the product warranty- refer to Warranty Conditions.

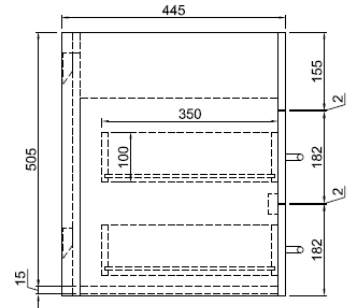
## Posh Bristol MK2 Wall Hung Vanity Unit 1200mm



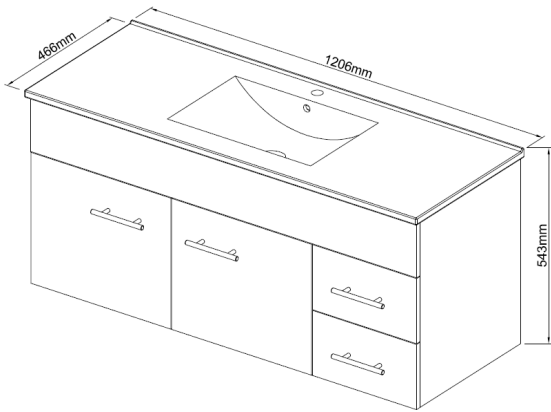
Wall Hung Vanity 1200mm (Left Hand Drawer)



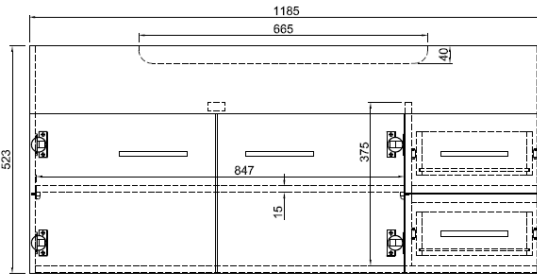
Cabinet Only - Front View



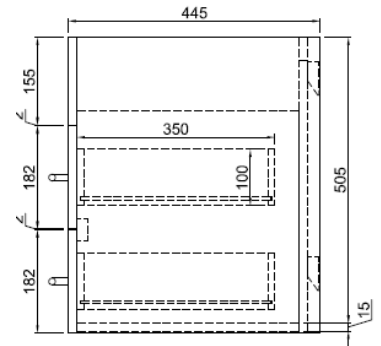
Cabinet Only - Side View



Wall Hung Vanity 1200mm (Right Hand Drawer)



Cabinet Only - Front View



Cabinet Only - Side View

Dimensions are nominal measurements only.

**Disclaimer:** Products in this specification manual must by regulation be installed by licensed and registered trade people. The manufacturer/distributor reserves the right to vary specifications or delete models from their range without prior notification. Dimensions are nominal measurements only. Dimensions and set-outs listed are correct at time of publication however the manufacturer distributor takes no responsibility for printing errors.

## Posh Bristol MK2 Wall Hung Vanity Unit 1200mm

### NOTE

Vanity unit must be installed by a qualified tradesman.

### IMPORTANT

If fixing to timber framed walls or partitioning, care should be taken to properly reinforce wall.

Please check vanity unit for damage before installing. If there is damage, please notify Reece branch where the product was purchased to organise a replacement product. Installation of the vanity unit is deemed as accepting the condition of the vanity unit.

### Wall Hung Vanity Installation Procedure

1. Ensure that wall is plumb.
2. Set up water inlet point and waste.

