





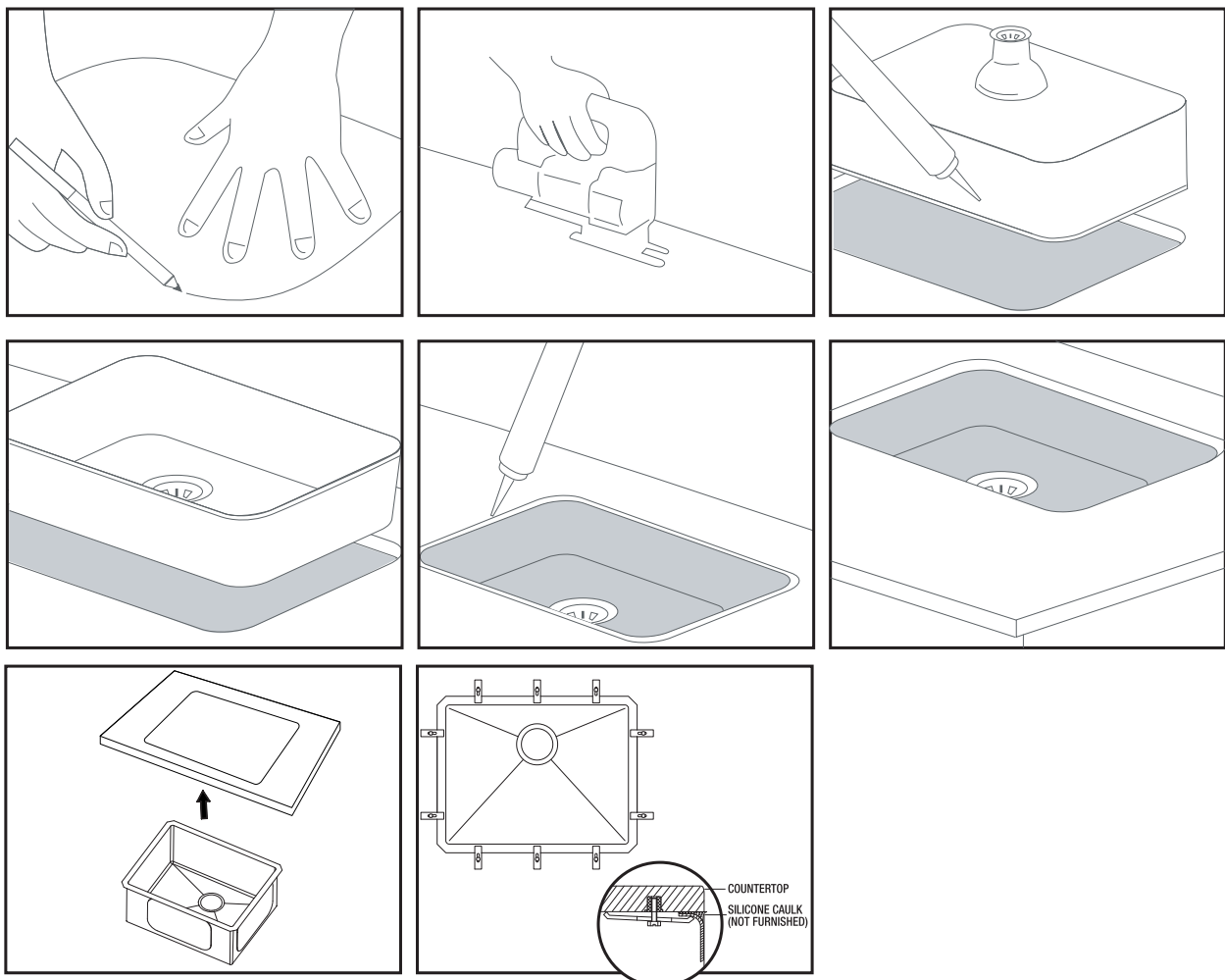
## Solus MK2 45 & 70 Litre Inset/Undermount Laundry Troughs With External Overflow

### Undermount Installation

#### Stone & Solid Benchtops.

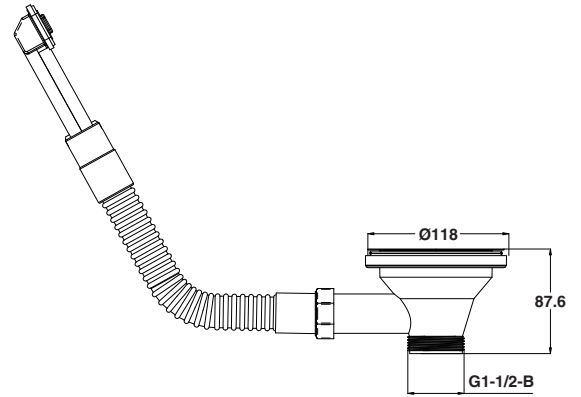
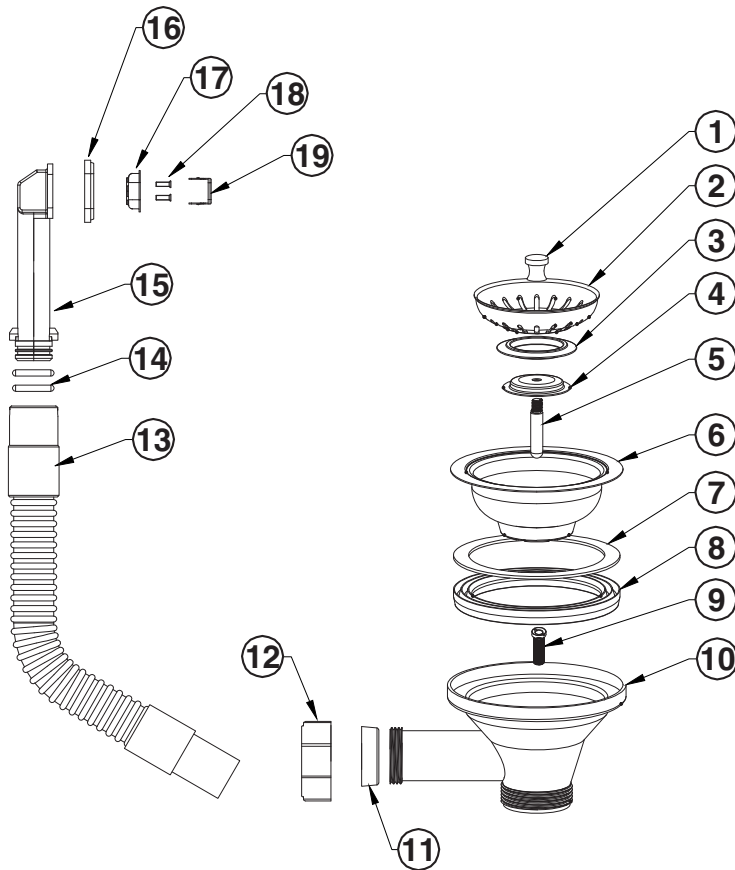
**Note:** If wall mounted tapware is to be used, consideration should be made to length of outlet and positioning of the trough on bench top. If tapware is being mounted into bench ensure bench top is wide enough.

1. Use the Template provided to trace the cut-out on both the benchtop and underlay lining. Ensure correct cutout line on template is selected for either inset or undermount installation
2. Cut out benchtop and the underlay/timber lining.
3. **Fixing Clips** - Using Fixing Clips, affix wooden blocks to the underside of the benchtop to screw Fixing Clips into.
3. **Sandwich Method** - Silicone both the underneath rim of the undermount bowl and around the underlay lining cut out.
4. Place the Trough into position.
5. Silicone around the lip of the Trough to seal between the benchtop and the Trough surfaces.
6. Place benchtop back in position, sandwiching bowl between benchtop and underlay lining.



## Solus MK2 45 & 70 Litre Inset/Undermount Laundry Troughs With External Overflow

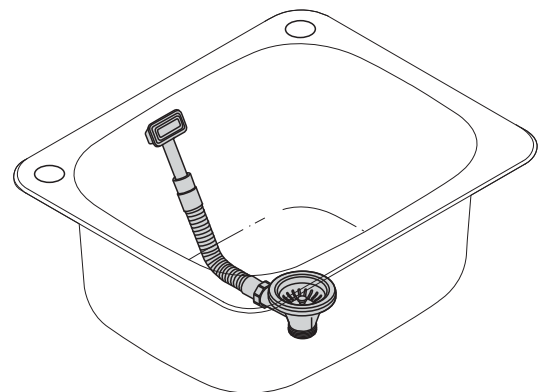
### Overflow Assembly



Pt. #	Qty.	Description
1	1	Basket Waste Plug Assembly
2	1	
3	1	
4	1	
5	1	
6	1	Filter Bowl
7	1	Upper Seal Ring
8	1	Lower Seal Ring
9	1	Screw
10	1	Basket Waste Body
11	1	Screw Nut Seal Ring
12	1	G1-11/8 Screw Nut
13	1	Overflow Hose
14	2	Seal Ring
15	1	Overflow Kit Connector
16	1	Overflow Kit Seal Ring
17	1	Overflow Kit Fixing Plate
18	2	Cross Grooved Screw Seal Ring
19	1	Overflow Flow Declarative Plate

- To mount overflow channel to trough screw fixing plate (17) into connector (15) using two screws (18). Then Push on decorative cover (19). No silicone required.
- Fit of overflow waste by connecting hose (13) to basket waste body (10) by tightening screw nut (12).
- Fit off balance of basket waste components as per sequence in drawing.

**Note:** Basket waste plug (1-5) comes already assembled.



### Care Details

We recommend the use of soapy water or approved cleaners. This product should not be cleaned with abrasive materials. Damage caused by any improper treatment is not covered by the product warranty - refer to Warranty Conditions on the last page.

**Plumbers, please ensure a copy of the installation instruction is left with the end user for future reference.**

