

## Base Vanity Unit

### SPECIFICATIONS

Recommended Use	Domestic, Hotel & Commercial
Material	Moisture Resistant Melamine Board
Benchtop Material	White Acrylic (Top and Basin)
Colour	White
Vanity Top	One Piece Moulded Top and Basin
Overflow	Yes
Taphole	1 Taphole 3 Taphole
Bowl Configuration	Centre Bowl
Mounting	Floor Standing
Plug & Waste	Suits 40mm Overflow Plug and Waste (not supplied)
Fixing	Top siliconed to vanity cabinet. Cabinet screwed back to the wall.

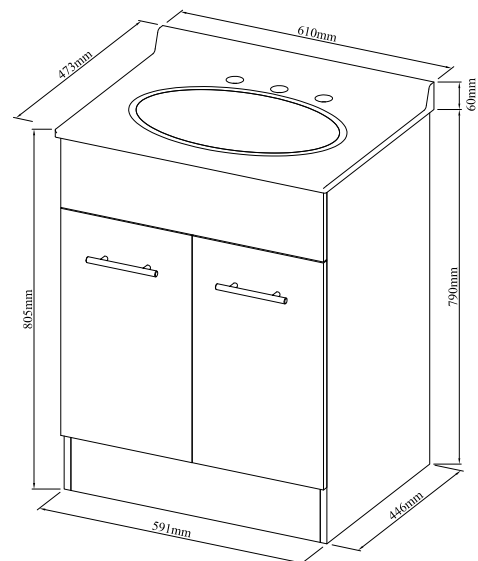
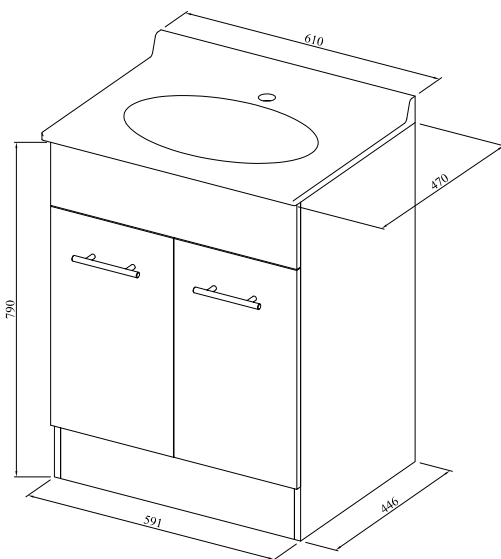
### WARRANTY

Warranty - Domestic Use	12 Months
Spare Parts & Labour	12 Months



STANDARD SIZES	610MM	760MM	910MM	910MM
Width - Top	610	760	910	910
Width - Cabinet	591	740	887	887
Depth	426	426	426	426
Height	790	790	790	790
Number of Doors	2	2	2	2
Number of Drawers	n/a	n/a	n/a	3

### 610mm Vanity - 2 Doors



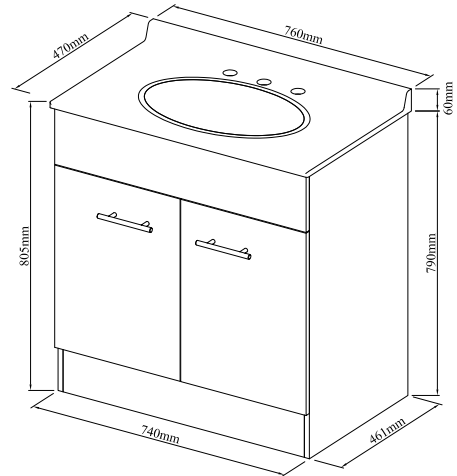
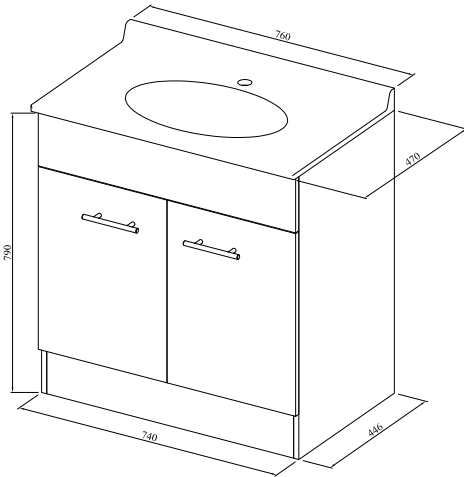
Dimensions are nominal measurements only.

**Disclaimer:** Products in this specification manual must by regulation be installed by licensed and registered trade people. The manufacturer/distributor reserves the right to vary specifications or delete models from their range without prior notification. Dimensions are nominal measurements only. Dimensions and set-outs listed are correct at time of publication however the manufacturer/distributor takes no responsibility for printing errors.

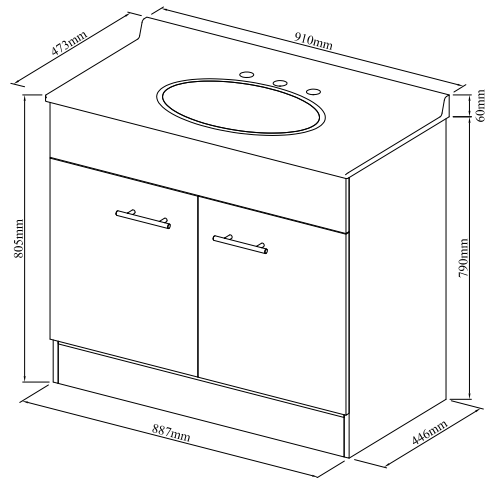
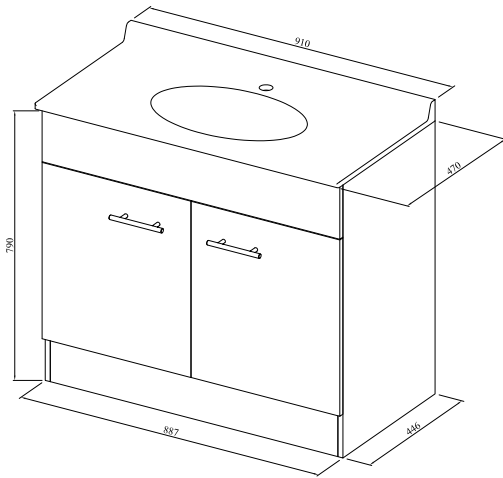
Published 06/01/2020

Base Vanity Unit

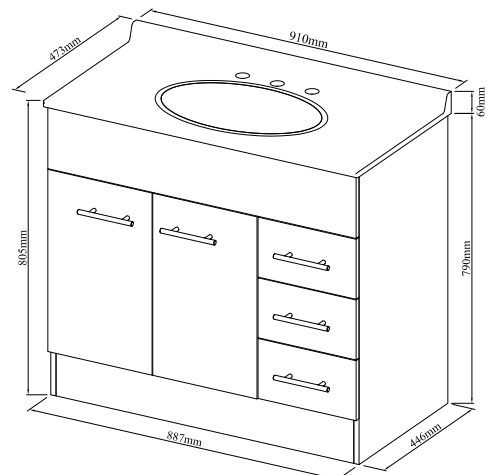
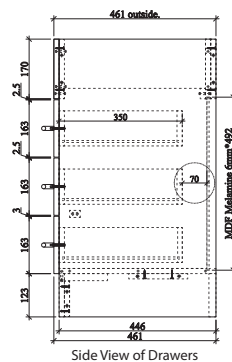
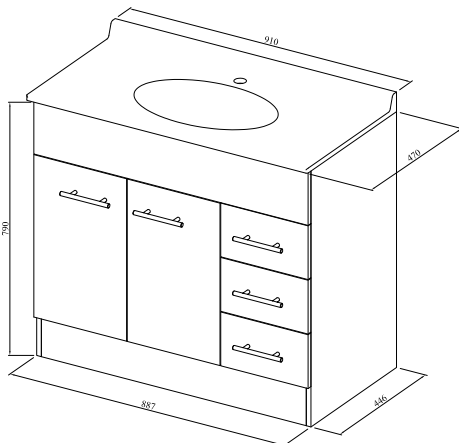
760mm Vanity - 2 Doors



910mm Vanity - 2 Doors



910mm Vanity - 2 Doors & 3 Drawers



Dimensions are nominal measurements only.