



**BOILING**



**CHILLED**

**Instant boiling & chilled  
filtered drinking water systems**



### **Low Energy Consumption**

Billi's unique Heat Exchange technology recovers the waste heat energy produced in the chilling process to preheat the boiling water, enabling our systems to achieve substantial energy savings. The Standby mode also conserves energy by powering down after 2 hours of non use.

### **Safety First**

All Billi dispensers are supplied standard with a safety switch.

### **Small Underbench Footprint**

With a focus on space saving, Billi systems make the most of the available area, while offering the largest capacities available in the market. Billi units can directly replace all Boiling & Chilled units in the market without any alteration required.

### **No cupboard ventilation grill required**

The Billi Medium & Large units are water cooled and do not require cupboard ventilation or a cooling fan. The Billi Small unit is not water-cooled and requires some cupboard ventilation and adequate air space. An unobstructed clearance of at least 100mm on each side of the underbench unit is necessary, however a ventilation grill is not required.

### **Easy to Install**

With no ventilation required, our units are easy to install. All units also have a self commissioning feature.

### **Compatible with XT Touch dispenser**

The Touch dispenser is an innovative, contemporary tap, which has a top operating panel offering sophisticated and clean style.

### **Australian Designed and Manufactured**



**AUSTRALIAN MADE  
& DESIGNED**

Reece Code	Model	Dispenser Finish	Suggested Persons	Boiling Water delivery (cups per hour)	Chilled Water delivery (cups per hour)	Height mm	Width mm	Depth mm
1361108	Small—XT	Chrome	Up to 10 People	90	60	340	180	500
1361114	Small—XT	Brushed						
1361111	Small—XT	Matte Black						
1361109	Medium—XT	Chrome	Up to 20 People	100	150	340	315	365
1361115	Medium—XT	Brushed						
1361112	Medium—XT	Matte Black						
1361110	Large—XT	Chrome	Up to 60 People	180	175	340	315	465
1361116	Large—XT	Brushed						
1361113	Large—XT	Matte Black						

## Power Supply

The Billi Small, Medium and Large models require a standard 10 amp AU power outlet. It is supplied with a 1 metre flex cord and plug.

## Water Supply

A single 15mm (1/2") stop-tap with a male thread should be installed in an easily accessible position. Water supply must be microbiologically safe to drink, with a minimum dynamic water pressure of 250kPa.

## Filtration

Periodic replacement of filters is necessary to maintain water quality. Filters are also available to suit the needs of different water supply areas.

Filter changes are made simple by our swing-change system and Genuine replacement Billi filters are available on our website and from your local approved supplier.

## Certifications

Every Billi drinking water appliance is manufactured under a certified quality control system. The Billi Small, Medium and Large models have been tested and complies with all required standards including: Watermark License Number 21525; Certified to; AS3498 and AS/NZS4020; ISO 9001; AS1428 Accessibility Design Requirements; Section J6 of the BCA; Certificate Number QEC 11627.

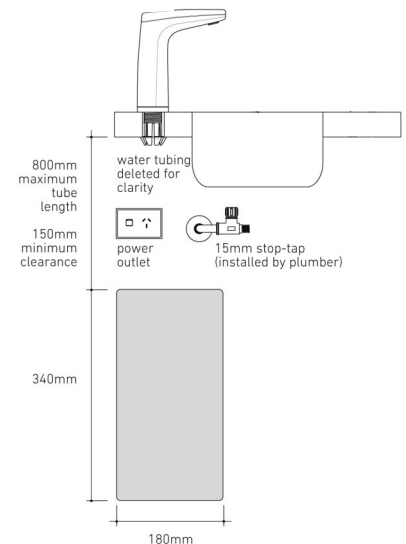
## Warranty

All components of the Billi units are covered by a 24 month warranty. Filter cartridges are a consumable and are not covered by warranty, as water conditions and usage vary. All Billi units are covered by a 5 year warranty on the boiling water tanks.

**Technical Advice** - Contact Billi Pty Ltd on 1800 812 321

## Installation Layout

### Small



### Medium/Large

