



WOLFEN™

INSTALLATION MANUAL

2260105 Wolfen Wall Mounted Support Arm White

2260106 Wolfen Wall Mounted Support Arm Stainless Steel





WOLFEN™

CONTENTS

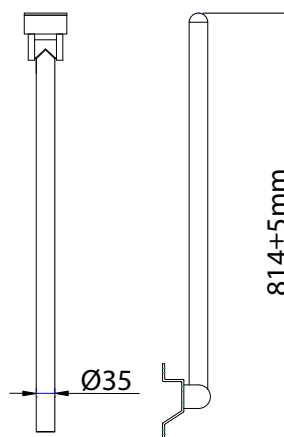
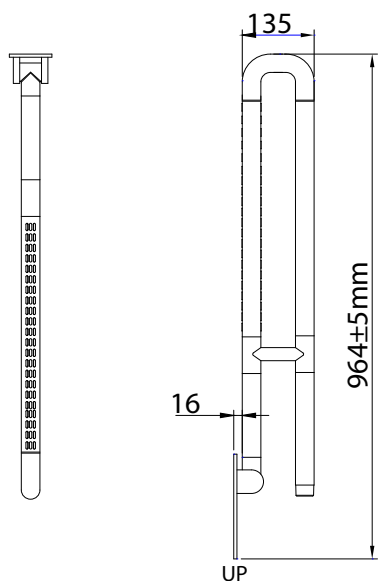
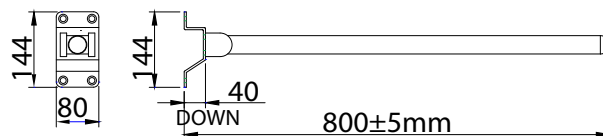
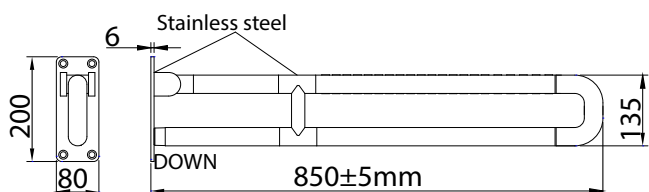
Intro	02
Technical Information	03
Installation Instructions	04
Cleaning	04
Warranty	05

Delivering unrivalled quality

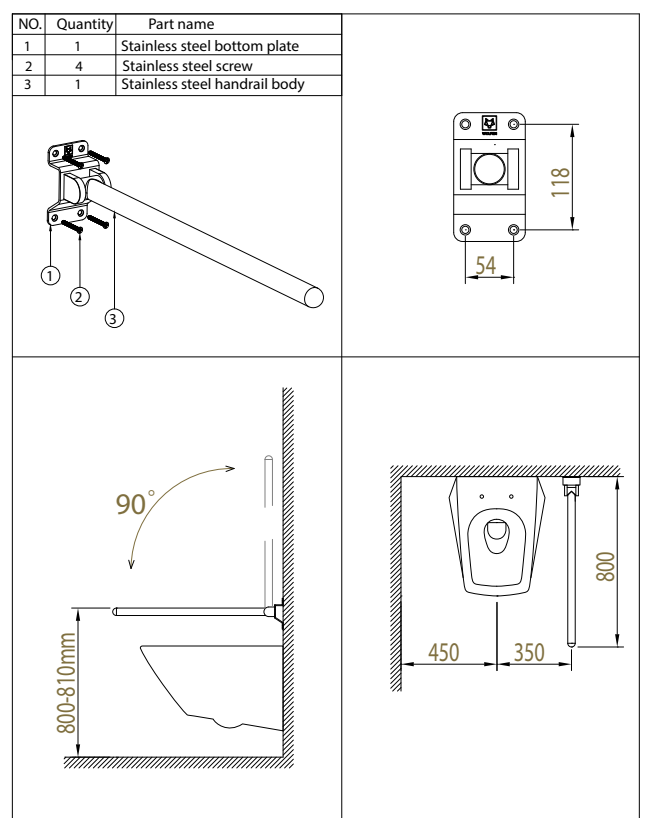
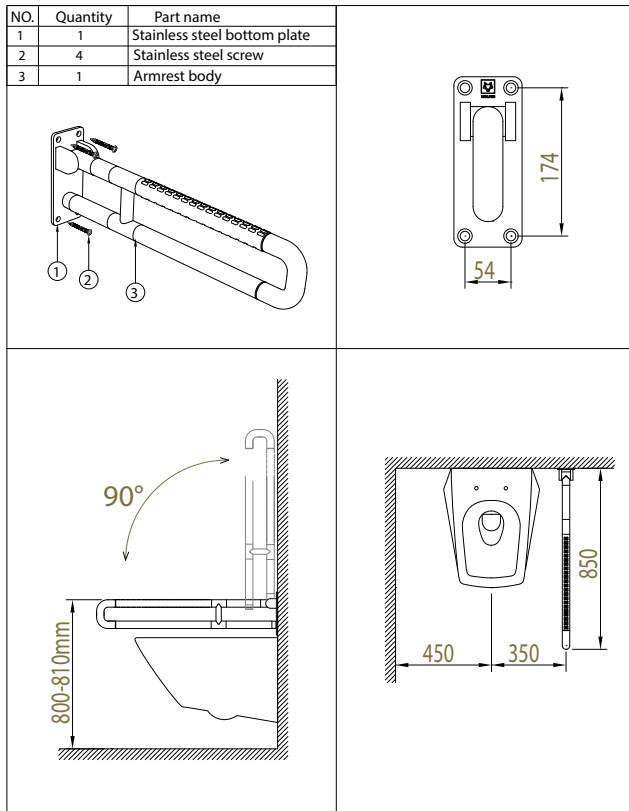
Designed for strength, functionality and convenience, the Wolfen wall mounted support arm range provides the ultimate solution in assisted bathroom support. With both stainless steel and white anti-bacterial options, Wolfen has a solution for any assisted living environment.

TECHNICAL INFORMATION

Model	Wolfen Wall Mounted Support Arm White	Wolfen Wall Mounted Support Arm Stainless Steel
Product Code	2260105	2260106
Material	Arm: White nylon covered aluminium with Stainless Steel 304 jointing Wall Back Plate: Stainless Steel Grade 304	304 Stainless Steel
Colour	White nylon cover & Stainless Steel	Stainless Steel
Finish	Embossed to assist with anti-slip	Polished Stainless Steel
Load Rating	Constructed to withstand 1100 N Force (approx. 110kg) to AS1428	Constructed to withstand 1100 N Force (approx. 110kg) to AS1428



INSTALLATION INSTRUCTIONS



Installation Steps

I: Installation Tools:

Cordless driver, tape measure, spirit level and marking pen.

II: Specific Installation Steps for Handrail

1. Determine installation position: According to design drawing, toilet position and abiding by local specification requirements to confirm the installation position;
2. Installer to determine wall is suitable and timber studs, noggins etc. are in appropriate locations to support back plate and support arm;
3. Set up horizontal and vertical lines with spirit level and use the marking pen to mark the hole locations;
4. Predrill holes for backplate screws and fit supplied screws to fix the handrail in place;
5. Check to ensure firm installation;
6. Check installation dimensions conform to requirements.

CLEANING & MAINTENANCE INSTRUCTION

We recommend the use of soap and water or approved cleaners. This product should not be cleaned with abrasive materials. Damage caused by any improper treatment is not covered by the product warranty. Refer to Warranty Conditions. Frequently check if handrail is loose. If loose, do not use and contact a licensed tradesperson.

REECE PRODUCT QUALITY GUARANTEE



You have purchased a quality product from Reece Australia Pty Ltd ABN 84 004 097 090 (“Reece”). This product is covered by a 5 year replacement product warranty and a 12 month warranty over spare parts and labour.

5 YEAR WARRANTY

This warranty covers faults in the product construction, material and assembly. Products which are within 5 years from the date of purchase, found upon inspection by an authorised Reece representative, to be defective in construction, material or assembly, will be repaired or exchanged with an equivalent product free of charge. Replaced items become Reece’s property.

All replacement products will be available for collection without charge to the customer at the nearest Reece branch to the customer’s location, or elsewhere as agreed between the customer and Reece.

Labour and Spare Parts

The labour for the replacement of products and spare parts to which this warranty applies will be supplied by Reece or relevant supplier using licensed plumbers engaged by Reece or relevant supplier within 1 year from the date of purchase. Spare parts other than those listed in the Manufacturer’s Provisions above, which are within 1 year from the date of purchase found upon inspection by an authorised Reece representative to be defective in construction, material or assembly, will be replaced free of charge.

Warranty Conditions

This warranty will apply only under all of the following conditions:

- The item has been installed by a licensed plumber
- Failure is due to a fault in the manufacture of the product
- Proof of purchase (including the date of purchase) is provided
- The installation of the product is in accordance with the instructions provided

This warranty does not cover products purchased as an ex-display without being fully checked and tested for sale by the manufacturer.

This warranty does not include faults caused by:

- Unsuitable or improper use
- Incorrect installation or installation not in accordance with the instructions provided
- Installation or part installation by the purchaser or any person other than a LICENSED PLUMBER
- Normal wear and tear
- Inadequate or complete lack of maintenance
- Chemical, electrochemical or electrical influences
- Harsh detergents or abrasive cleaners used on product finishes

EXCLUSIONS

To the fullest extent permitted by law, Reece excludes all liability for damage or injury to any person, damage to any property, and any indirect consequential or other loss or damage.

CLAIM PROCEDURE

For all warranty queries customers are to contact the branch where the product was purchased. These details can be found on your purchase invoice.

Our goods come with guarantees that cannot be excluded under the Australian Consumer Law. You are entitled to a replacement or refund for a major failure and for compensation for any other reasonably foreseeable loss or damage. You are also entitled to have the goods repaired or replaced if the goods fail to be of acceptable quality and the failure does not amount to a major failure.

Don’t risk it, use a licensed plumber.™



WOLFEN™

reece.com.au/wolfen

IF AFTER CHECKING THE
INSTALLATION INSTRUCTIONS
AND IMPORTANT
INFORMATION, THE PROBLEM
HAS NOT BEEN IDENTIFIED,
CUSTOMERS ARE TO
CONTACT THE BRANCH
WHERE THE PRODUCT WAS
PURCHASED. THESE DETAILS
CAN BE FOUND ON YOUR
PURCHASE INVOICE.

General contact details for
Reece are as follows:

Reece Australia Pty Ltd

118 Burwood Hwy

Burwood VIC 3125

+61 3 9274 0000

admin@reece.com.au