



Base Vanity Unit

SPECIFICATIONS

| | |
|--------------------|---|
| Recommended Use | Domestic, Hotel & Commercial |
| Material | Moisture Resistant Melamine Board |
| Benchtop Material | White Acrylic (Top and Basin) |
| Colour | White |
| Vanity Top | One Piece Moulded Top and Basin |
| Taphole | 1 Taphole 3 Taphole (installer to drill 2 extra holes) |
| Bowl Configuration | Centre Bowl |
| Mounting | Floor Standing |
| Plug & Waste | Suits 32x40mm Plug & Waste (not supplied) |
| Fixing | Top siliconed to vanity cabinet. Cabinet screwed back to the wall. |

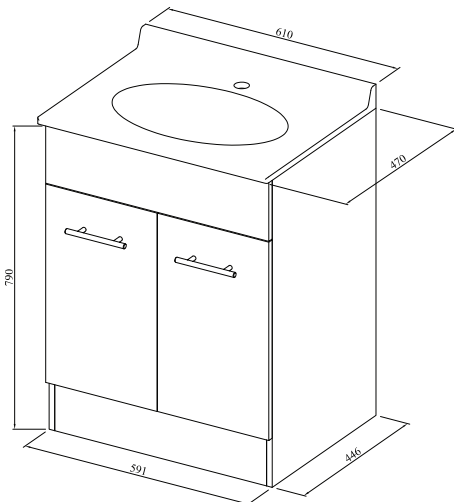
WARRANTY

| | |
|--|-----------|
| Warranty - Domestic Use | 12 Months |
| Spare Parts & Labour | 12 Months |
| <i>Please refer to Warranty Page for full Terms and Conditions</i> | |



| STANDARD SIZES | 610MM | 760MM | 910MM | 910MM |
|-------------------|-------|-------|-------|-------|
| Width - Top | 610 | 760 | 910 | 910 |
| Width - Cabinet | 591 | 740 | 887 | 887 |
| Depth | 426 | 426 | 426 | 426 |
| Height | 790 | 790 | 790 | 790 |
| Number of Doors | 2 | 2 | 2 | 2 |
| Number of Drawers | n/a | n/a | n/a | 3 |

610mm Vanity - 2 Doors



Dimensions are nominal measurements only.

Disclaimer: Products in this specification manual must by regulation be installed by licensed and registered trade people. The manufacturer/distributor reserves the right to vary specifications or delete models from their range without prior notification. Dimensions are nominal measurements only. Dimensions and set-outs listed are correct at time of publication however the manufacturer/distributor takes no responsibility for printing errors.

Published 14/04/2021

