

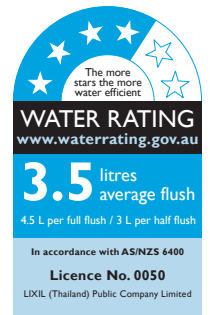
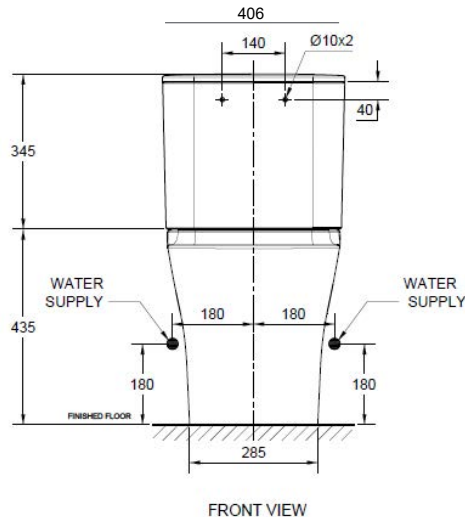
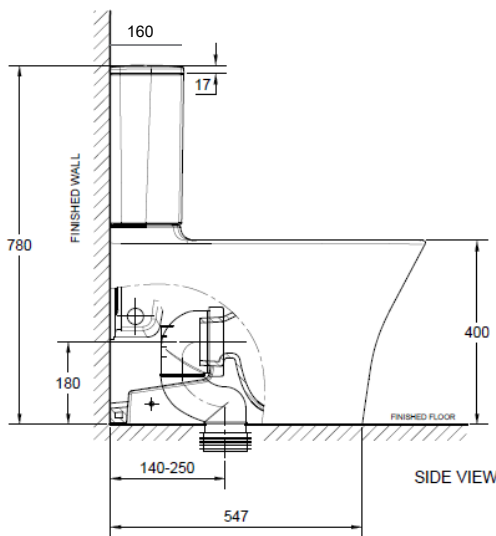
Signature Hygiene Rim Close Coupled Back to Wall Toilet Suite Bottom Inlet (4*)

SPECIFICATIONS	
Recommended Use	Domestic, Hotel & Commercial
Material	Pan: Vitreous China Cistern: Vitreous China Seat: Urea
Colour	White
Weight	Pan: 35kg Cistern: 13kg
Water Inlet Position	Bottom Inlet
Inlet Valve Pressure Rating	500kPa
Outlet Type	Universal S & P P trap (converts to S trap using plastic s bend provided)
Pan Fixing	Screwed to the floor using bracket (supplied) and bedded with sealant.
Cistern Fixing	Bolted directly to Pan
Rim Configuration Technologies	Hygiene Rim - Double Vortex Flushing - Aqua Ceramic - ComfortClean
S Trap Setout	140mm - 250mm
P Trap Setout	180 mm
Toilet Seat	Soft Close Quick Release Seat



WARRANTY	
Warranty - Domestic use	10 Years
Spare Parts & Labour	12 Months

Please refer to Warranty Page for full Terms and Conditions



Dimensions are nominal measurements only.

Disclaimer: Products in this specification manual must by regulation be installed by licensed and registered trade people. The manufacturer/distributor reserves the right to vary specifications or delete models from their range without prior notification. Dimensions are nominal measurements only. Dimensions and set-outs listed are correct at time of publication however the manufacturer/distributor takes no responsibility for printing errors.

Published 29/09/2022