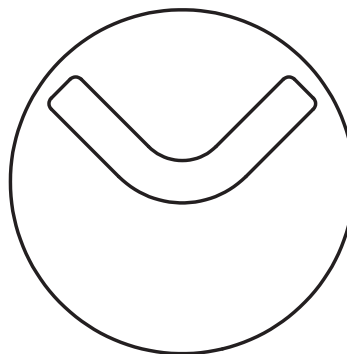
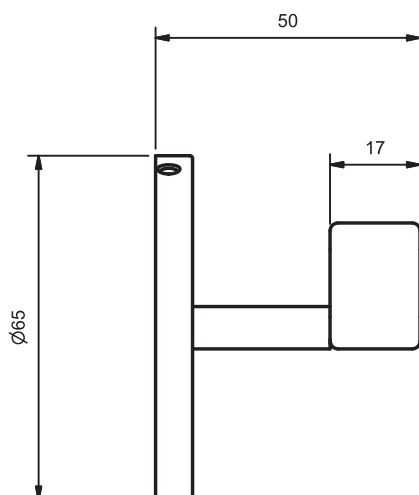


MILLI

EXO ROBE HOOK



SPECIFICATIONS

Recommended use	Domestic, hotel and commercial
Colour availability	Chrome, Matt Black, Gunmetal, Brushed Nickel
Standards	AS/NZS 3718

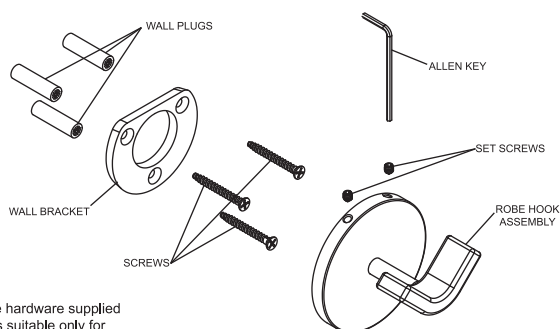


CLEANING RECOMMENDATIONS

We recommend the use of soapy water or approved cleaners.

This product should not be cleaned with abrasive materials.

Damage caused by any improper treatment is not covered by the product warranty - refer to Warranty Conditions.



Please note : The hardware supplied with this product is suitable only for installations into timber and masonry.



To see the complete MILLI range go to www.reece.com.au/bathrooms

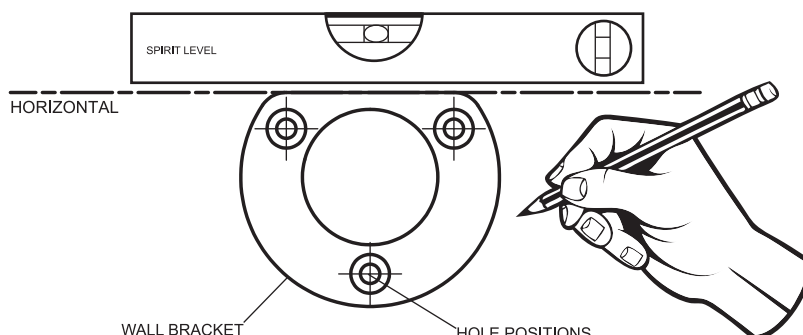
MILLI EXO ROBE HOOK

Important Note

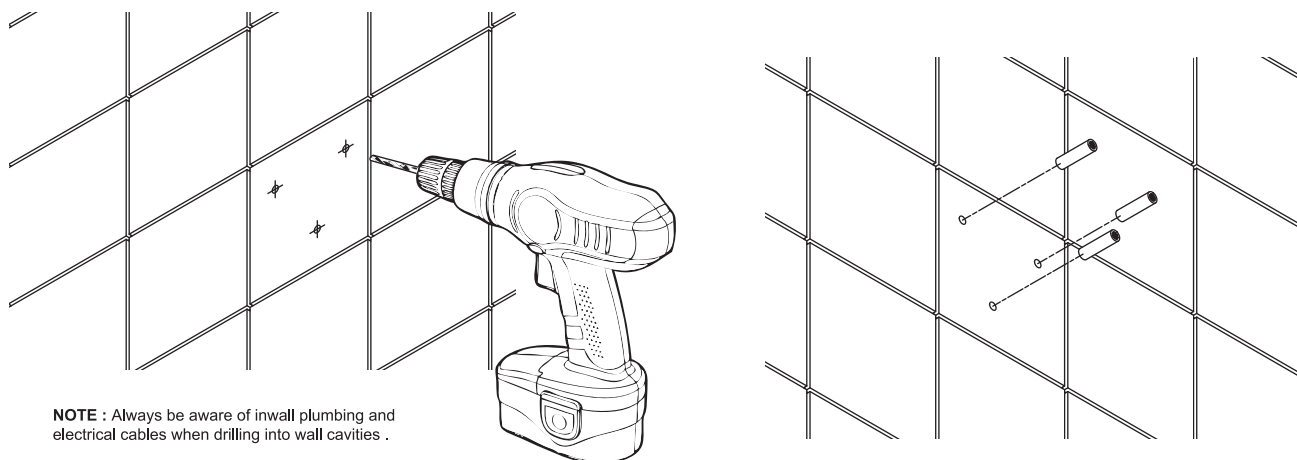
Tap must be installed to the requirements of AS/NZS 3500 by a qualified plumber. The tap seat should have a uniform surface to allow a positive seal between the cartridge and the seat. Tap seats in poor condition must be re-seated.

INSTALLATION INSTRUCTIONS

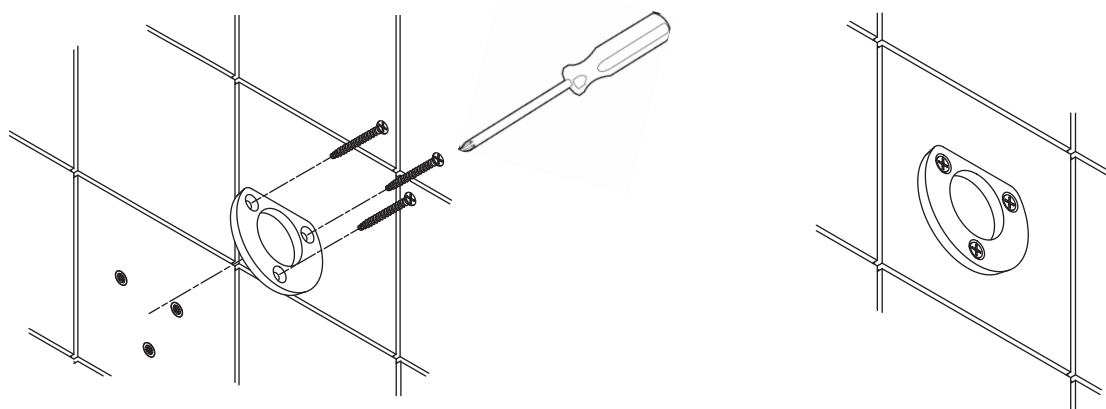
In the desired location for the robe hook, mark the three drill hole positions as shown in the illustration below, ensuring the flat section of the wall bracket is horizontal and the three mounting holes are in the orientation displayed.



Carefully drill 7mm holes in the previously marked positions and insert the wall plugs until flush with the wall. (To ensure accuracy, we recommend to use the wall bracket as a guide and drill pilot holes using a 4mm drill bit prior to drilling the 7mm finished hole size required.)

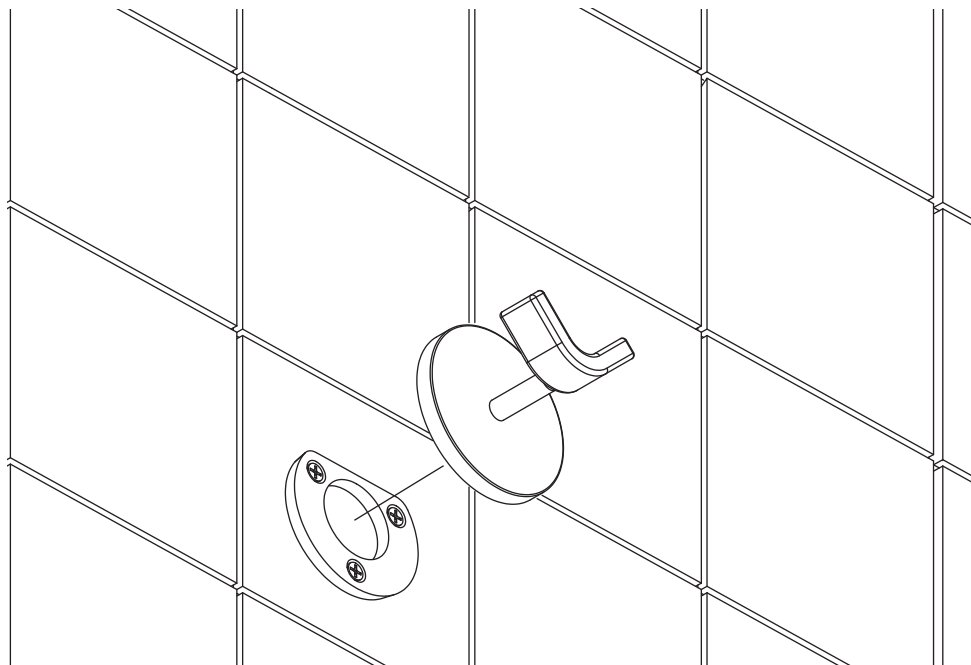


Fix the mounting bracket firmly in place using the screws supplied ensuring it is flush and firmly against the wall.



MILLI EXO ROBE HOOK

Place the robe hook assembly onto the mounting bracket and against the wall.



Hold the assembly in place while you **evenly** do up the two securing set screws to complete the installation.

