

Vivas Island

Acrylic Bath

Nominal Sizes: 1525mm x 760mm x 425mm
1525mm x 760mm x 425mm (with Anti-slip)
1675mm x 760mm x 425mm
1675mm x 760mm x 425mm (with Anti-slip)



Vivas Island

Acrylic Bath

Nominal Sizes:

1525mm x 760mm x 425mm

1525mm x 760mm x 425mm (with Anti-slip)

1675mm x 760mm x 425mm

1675mm x 760mm x 425mm (with Anti-slip)



It's like having your very own private island of relaxation, a beautiful, striking addition to any bathroom. The Vivas Island Bath has been designed to take comfort to a new level with a gently reclining end.

1525mm long x 760mm wide x 425mm deep – standard Code No.VV5ISW

1525mm long x 760mm wide x 425mm deep – standard Code No.VI5ISW (with Anti-slip)

1675mm long x 760mm wide x 425mm deep – standard Code No.VV7ISW

1675mm long x 760mm wide x 425mm deep – standard Code No.VI7ISW (with Anti-slip)

Durability: Sanitaryware grade acrylic resists chipping, will not rust and has excellent heat retention properties. Its high gloss finish has natural slip resistance. Minor scratch marks can be removed with gentle metal polishes, such as Brasso.

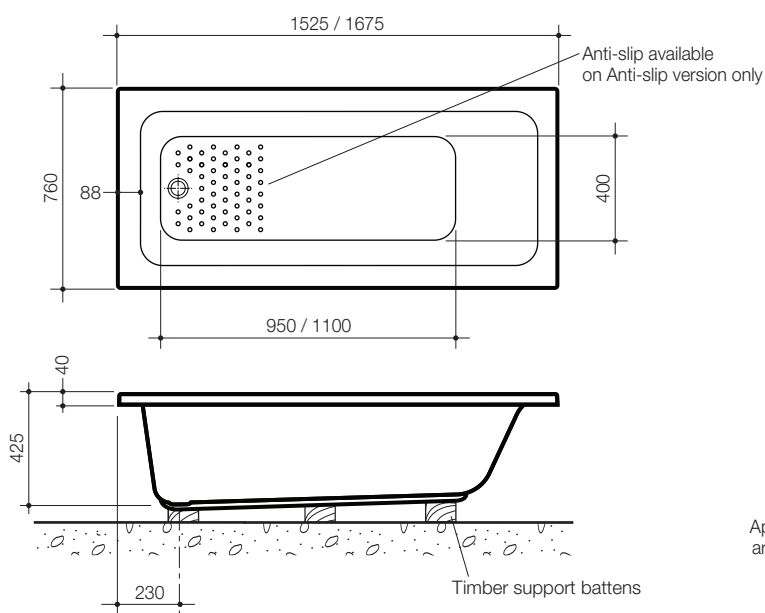
Waste Outlet: The reinforced waste outlet is suitable for 40mm diameter standard waste assembly.

Bath Capacity: Vivas 1525 Island and Vivas 1525 Island (with Anti-slip) - 255 litres; Vivas 1675 Island and Vivas 1675 Island (with Anti-slip) - 270 litres

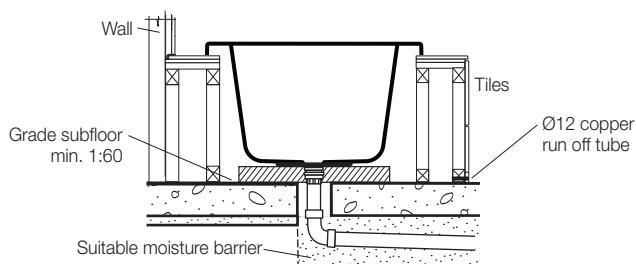
Installation: The bath is suitable for island installations. The bath is supported around its rim and the base is supported with timber base supports. *Refer to installation instructions for further information.*

Colours: White only.

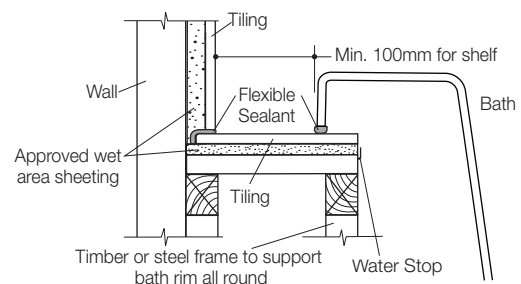
Dimensions: All dimensions are in millimetres and are subject to normal manufacturing variations. Caroma pursues a policy of continuing improvement in design and performance of its products. The right is therefore reserved to vary specifications without notice.



On the indicator lines, position and fix timber supports to base of the bath and floor with an approved floor and wall panelling adhesive or equivalent adhesive to provide a neat fit support. Ensure the rim of the bath is levelled during this procedure.



Island Installation for hob mounted bath



* IMPORTANT:

Refer to Local Authority for minimum setout from wall.

IMPORTANT: Local Authorities have varying installation requirements, check with Authority or your Caroma representative for further details.