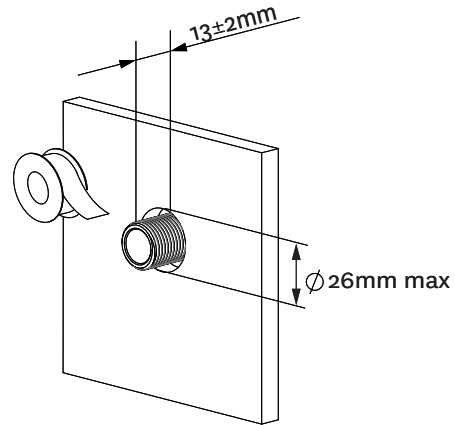


## Methven Aio Aurajet Overhead Shower Matte Black (3\*)

**IMPORTANT:** Please read all of the instructions and turn off water supply before installation.

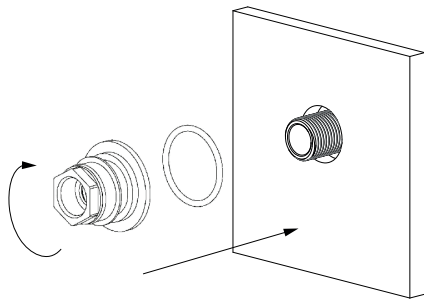
### Step 1

- Recommended installation height is 2100mm from the ground.
- Wall lining hole should be cut or finished as per the dimension shown in the diagram on the right.
- Cut off the threaded nipple 13±2mm from the wall lining and apply thread seal tape to ensure a good seal.



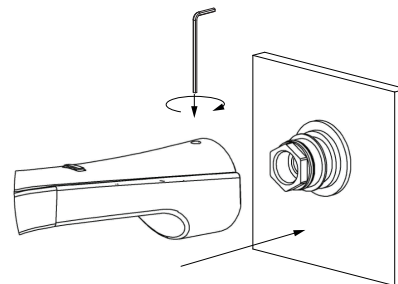
### Step 2

- Ensure o-ring is located on the inlet connector.
- Screw the inlet connector onto the nipple ensuring that the o-ring is sufficiently compressed to create a watertight seal.



### Step 3

- Push the overhead shower onto the inlet connector.
- Ensure that the overhead shower is oriented horizontally.
- Secure in place by tightening the grub screw firmly using the hex key provided.



### Care and Cleaning

Run hot water through shower for 2 minutes before first use.

Never use abrasives or abrasive cleaning agents to clean this product. Clean regularly with contamination free warm soapy water and a damp soft cloth.

Clean filter washer located in the shower head waterway periodically. To access filter washer, push down on release button, hold the wall arm and pull shower head away from it.

Remove filter washer from the shower head waterway by gently levering out with a small screw driver.

