

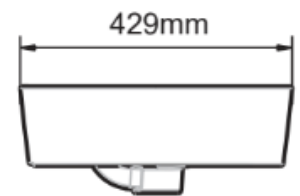
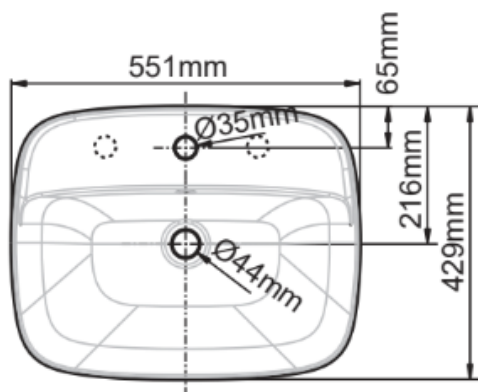
American Standard Signature Above Counter Basin

FEATURES

Recommended use	Domestic, hotel and commercial.
Material	Vitreous China
Weight	16kg
Overall dimensions	L551xW429xH125mm
Design	Thin edge

SPECIFICATIONS

Fixing	Sealed to bench top
Integral overflow	Yes
Tap hole	1TH & 3TH
Plug and waste	Sold separately
Colour availability	White
Template	Supplied with product



Dimensions are nominal measurements only.

Disclaimer: Products in this specification manual must by regulation be installed by licensed and registered trade people. The manufacturer/distributor reserves the right to vary specifications or delete models from their range without prior notification. Dimensions are nominal measurements only. Dimensions and set-outs listed are correct at time of publication however the manufacturer/distributor takes no responsibility for printing errors.

Published 10/07/2018

To see the complete American Standard range go to www.reece.com.au/bathrooms

