



WOLFEN

INSTALLATION MANUAL

9508240 Wolfen Timed Flow Basin Mixer (6*)	9508245 Wolfen Timed Flow Bib Tap 95 (Cold) (6*)
9508241 Wolfen Timed Flow Basin Tap (Cold) (6*)	9508246 Wolfen Timed Flow Bib Tap 95 (Warm) (6*)
9508242 Wolfen Timed Flow Basin Tap (Warm) (6*)	9510780 Wolfen Timed Flow Lever Basin Tap (6*)
9508243 Wolfen Timed Flow Bib Tap 65 (Cold) (6*)	9510781 Wolfen Timed Flow Lever Bib Tap 65 (6*)
9508244 Wolfen Timed Flow Bib Tap 65 (Warm) (6*)	9510782 Wolfen Timed Flow Lever Bib Tap 95 (6*)





WOLFEN™

CONTENTS

Intro	03
Technical Information	04
Installation Instructions	09
Maintenance/Cleaning	14
Warranty	15

Delivering unrivalled quality

Designed for absolute performance, Wolfen's commercial timed-flow tapware sets new standards in quality and durability. Ergonomic design combined with precision engineering ensures that every Wolfen product is easy-to-use and made to last. Here are just some of the many innovative features that make Wolfen timed-flow tapware the smart solution.

FEATURES

Delivering unrivalled quality

Designed for absolute performance, Wolfen's commercial timed-flow tapware sets new standards in quality and durability. Ergonomic design combined with precision engineering ensures that every Wolfen product is easy-to-use and made to last. Here are just some of the many innovative features that make Wolfen timed-flow tapware the smart solution.

Commercial durability features

- Solid brass body
- In-built water-hammer prevention

Installation and servicing

- Interchangeable head for easy maintenance

Usage features

- Patented cartridge technology for reliable timed-flow

Anti-vandal features

- Anti-vandal, non-turnable button
- Anti-vandal aerator

Application

- Schools
- Sporting Venues
- Gyms & Swimming Centres
- Train Stations & Airports
- Service Stations
- Public Washrooms



TECHNICAL INFORMATION

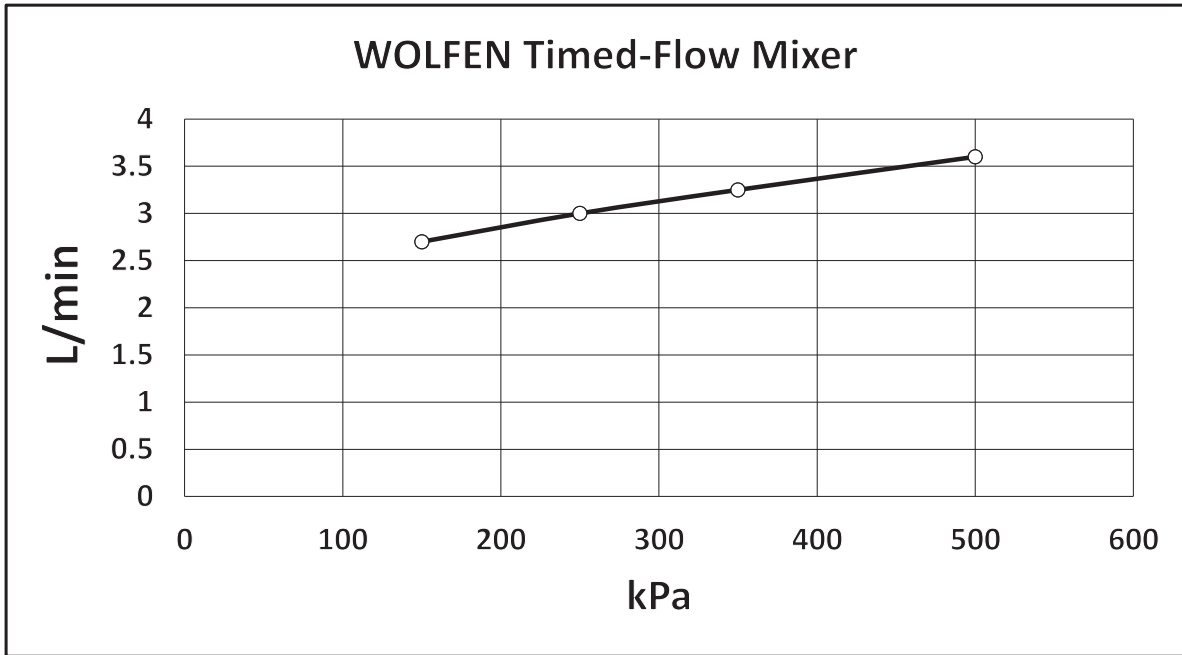
Model	Wolfen Timed-Flow Mixer (6*)	Wolfen Timed-Flow Taps (6*)	Wolfen Timed-Flow Lever Tap (6*)
Product Code	9508240	9508241 9508242 9508243 9508244 9508245 9508246	9510780 9510781 9510782
Product Type	Basin Mixer	Basin/Bib Tap	Basin/Bib Tap
Colour	Chrome	Chrome	Chrome
Finish	Polished	Polished	Polished
Material	Brass	Brass	Brass
Cartridge Type	Timed-Flow	Timed-Flow	Timed-Flow
Min Continuous Flow Working Pressure	100kPa	100kPa	100kPa
Max Continuous Flow Working Pressure	500kPa	500kPa	500kPa
Min Continuous Working Temperature	2°C	2°C	2°C
Max Continuous Working Temperature	50°C	50°C	50°C
WELS	6 Star Rating 4.5 Litres Per Minute	6 Star Rating 4.5 Litres Per Minute	6 Star Rating 4.5 Litres Per Minute



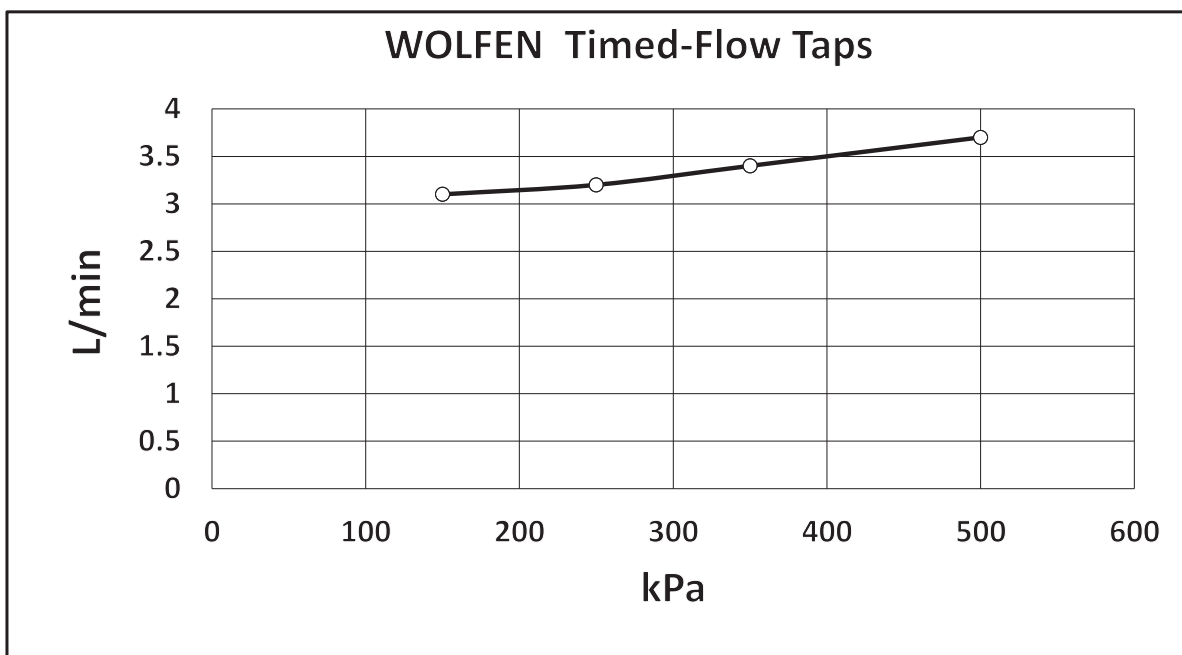
TECHNICAL INFORMATION

Wolfen Wall Basin

Wolfen Timed-Flow Mixer



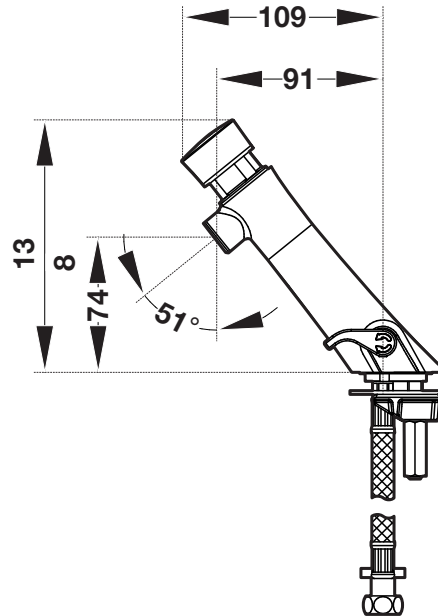
Wolfen Timed-Flow Taps



TECHNICAL INFORMATION

Wolfen Timed-Flow Basin Mixer (6*)

9508240

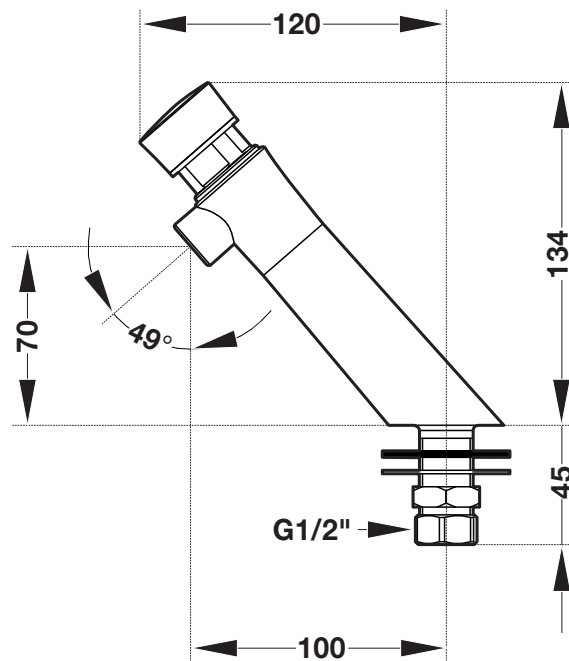


Wolfen Timed-Flow Basin Tap (Cold) (6*)

9508241

Wolfen Timed-Flow Basin Tap (Warm) (6*)

9508242



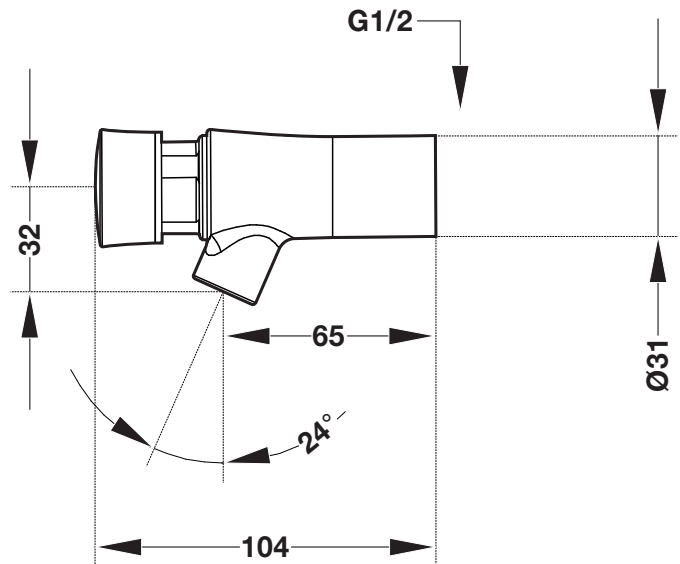
TECHNICAL INFORMATION

Wolfen Timed Flow Bib Tap 65 (Cold) (6*)

9508243

Wolfen Timed Flow Bib Tap 65 (Warm) (6*)

9508244

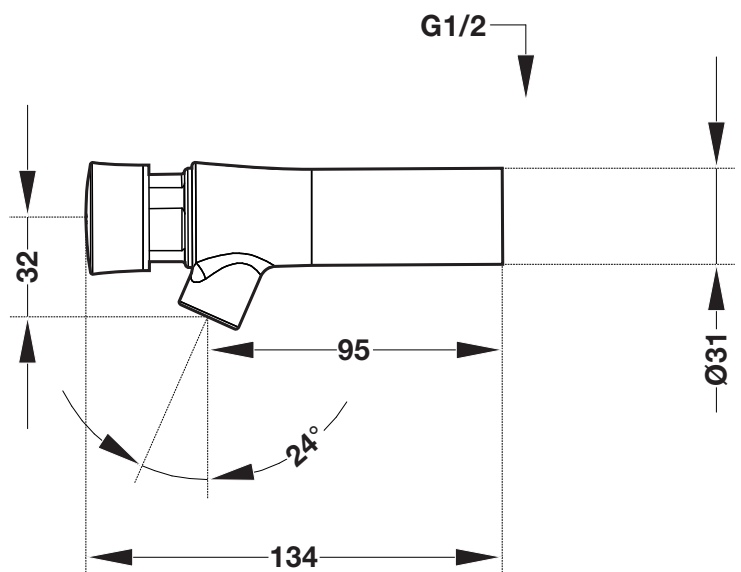


Wolfen Timed-Flow Bib Tap 95 (Cold) (6*)

9508245

Wolfen Timed Flow Bib Tap 95 (Warm) (6*)

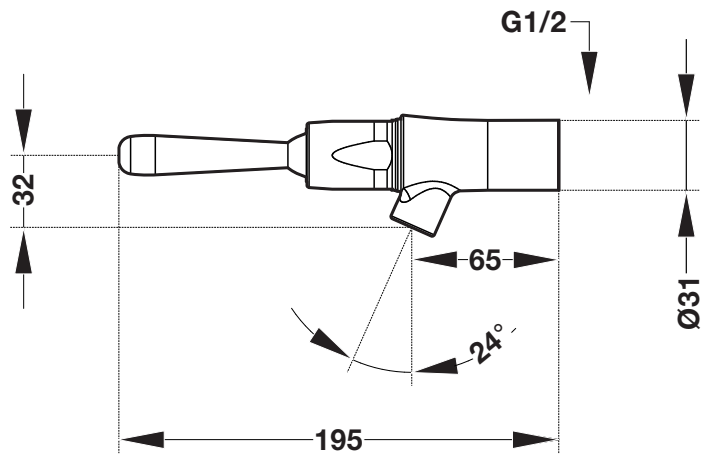
9508246



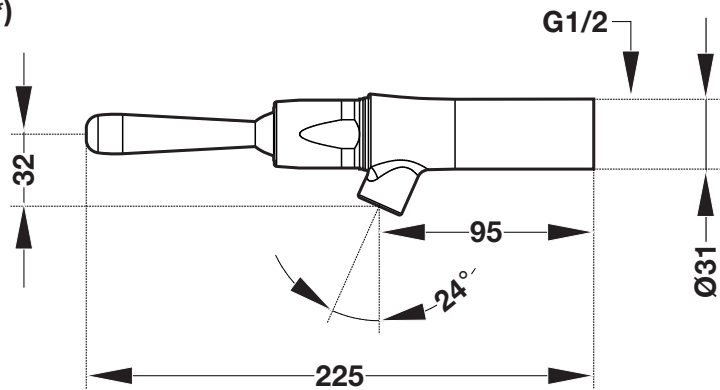
TECHNICAL INFORMATION

This tap is supplied with a Cold, Warm and Hot indicator button to be applied to the lever handle once water temperature type determined

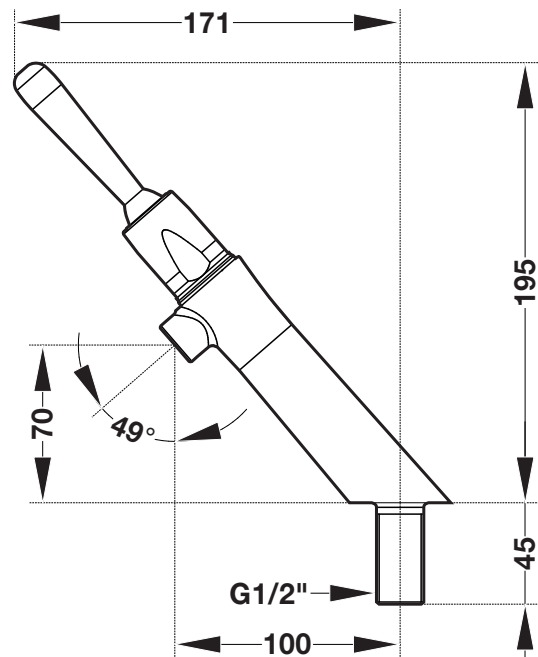
Wolfen Timed-Flow Lever Bib Tap 65 (6*)
9510781



Wolfen Timed-Flow Lever Bib Tap 95 (6*)
9510782



Wolfen Timed-Flow Lever Basin Tap (6*)
9510780



INSTALLATION INSTRUCTIONS

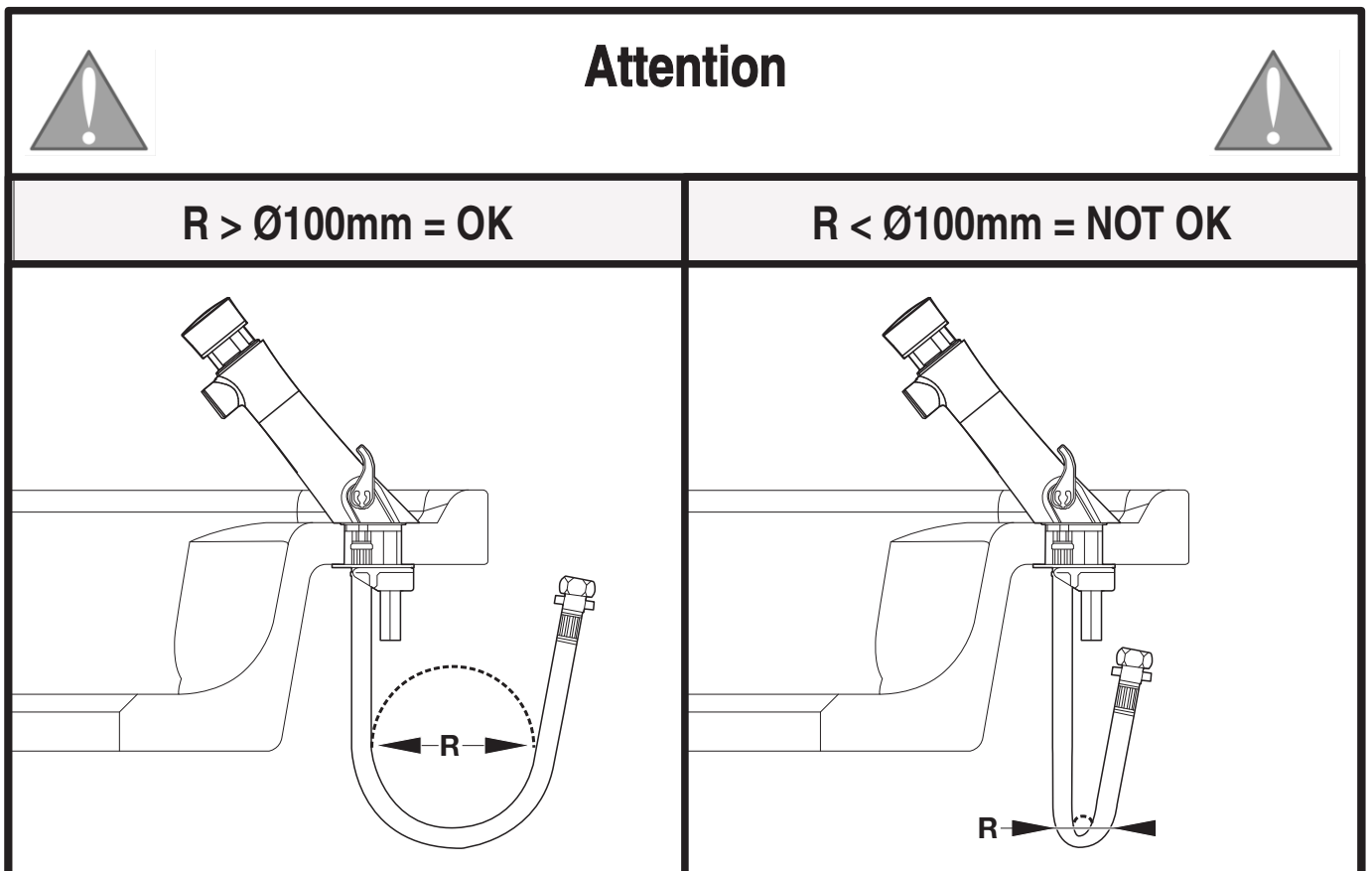
Important Note

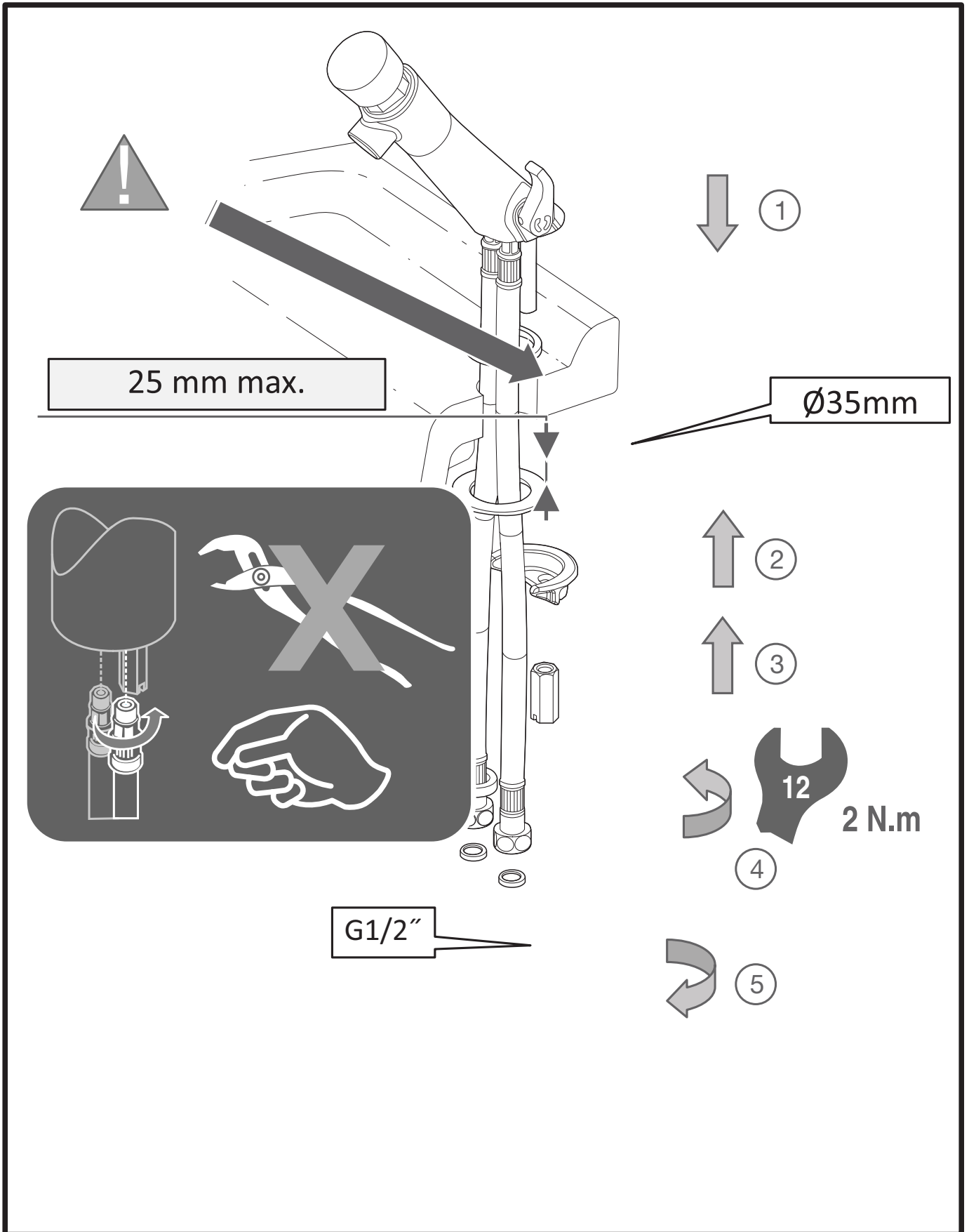
The product must be installed to the requirements of AS/NZS 3500 by a qualified plumber. The product comes to you already factory assembled and tested. We do not recommend the dismantling of any internal part of the product. The products are factory tested and sealed so as to give the best performance.

Wolfen Timed-Flow Basin Mixer (6*)

9508240

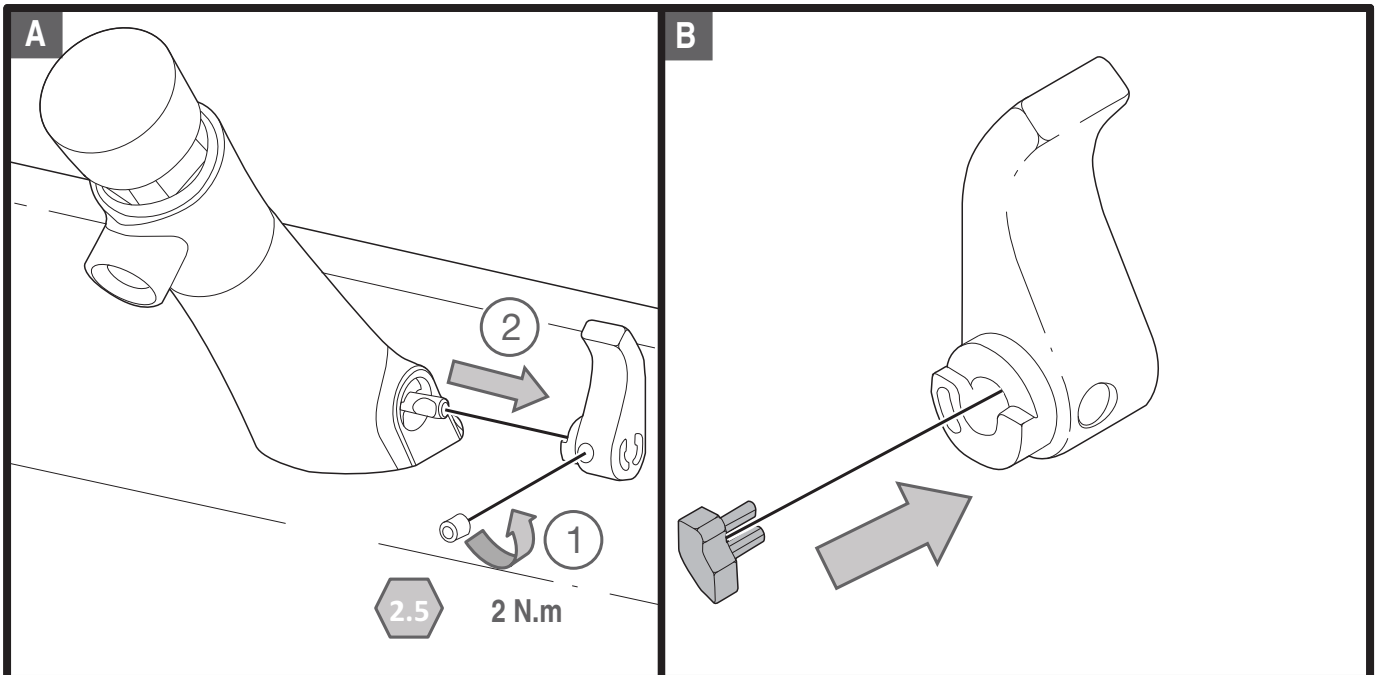
1. Please flush out new pipe work prior to connecting the new Timed-Flow Basin Mixer.
2. This tap has a recommended continuous flow working pressure of 100kPa to 500kPa
3. Ensure that line strainers are fitted.
4. All mixers should be installed with isolating stop cocks (Arco).





INSTALLATION INSTRUCTIONS

Installation of the temperature limiter

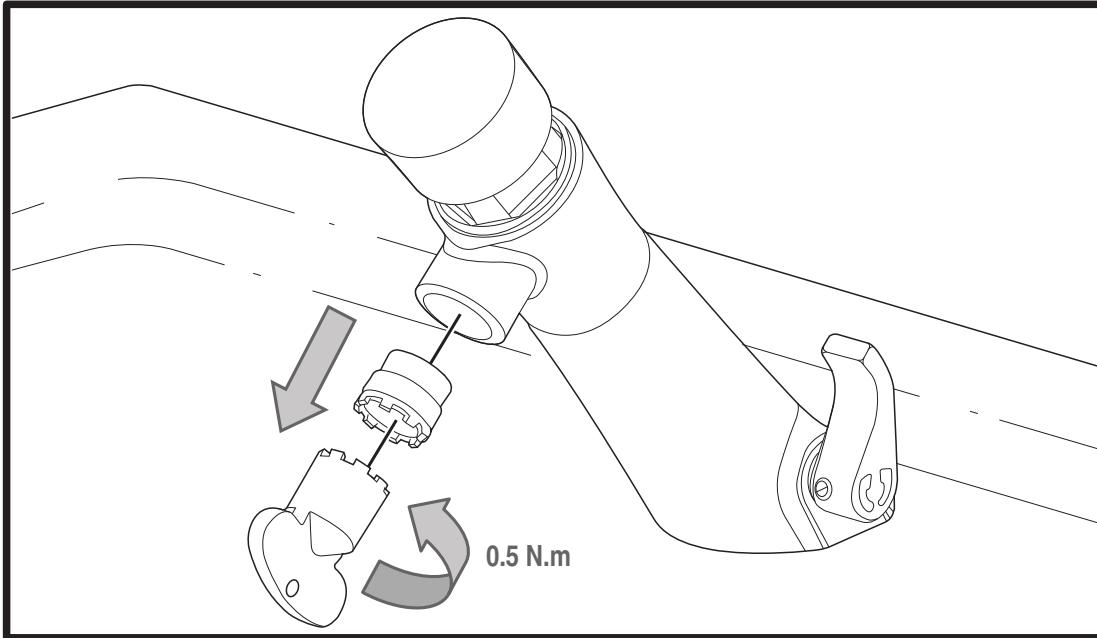


Attention

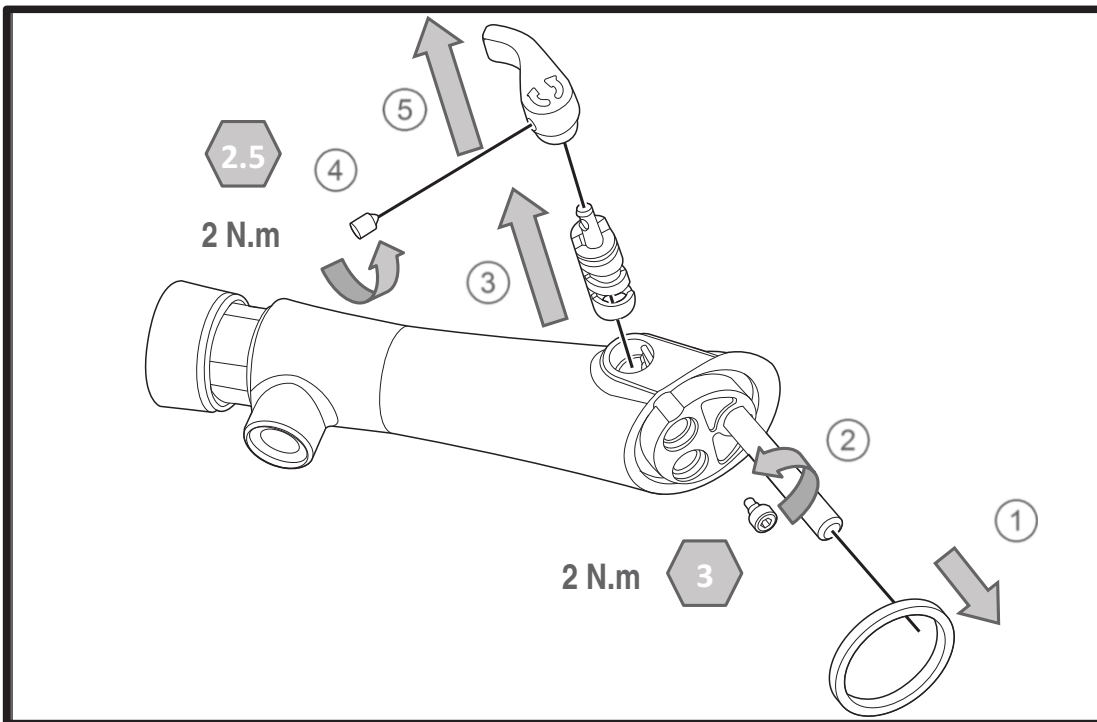
Cold water 15°C / 300 kPa + hot water 60°C / 300 kPa = 38°C
Obtain the correct inlet pressures and adjust them to 300 kPa : $\Delta P < 40\text{kPa}$
To ensure anti-scalding on the mixers, install a thermostatic valve.

MAINTENANCE

Maintenance of the flow aerator



Maintenance of the mixer shaft



INSTALLATION INSTRUCTIONS

Important Note

The product must be installed to the requirements of AS/NZS 3500 by a qualified plumber. The product comes to you already factory assembled and tested. We do not recommend the dismantling of any internal part of the product. The products are factory tested and sealed so as to give the best performance.

Wolfen Timed-Flow Taps (6*)

9508241 | 9508242 | 9508243 | 9508244 | 9508245 | 9508246 | 9510780 | 9510781 | 9510782

1. Please flush out new pipe work prior to connecting the new Timed-Flow Taps.
2. This tap has a recommended continuous flow working pressure of 100kPa to 500kPa.

Wolfen Timed-Flow Basin Tap

1. Place tap tail into basin hole, ensuring seal is in place.
If Basin taps are fitted in pairs, HOT Basin tap should be fitted on left hand side of the basin (viewed from front).
2. Hand tighten the back-nut, ensure the tap spout is positioned correctly, and then tighten the back-nut securely with a tap wrench.

Note: Remember to fit isolating valve

3. Use a suitable swivel connector or compression fitting onto the end of the G1/2" tap tail. Secure water supply pipe to the tail.

RESTORE WATER SUPPLIES & CHECK ALL JOINTS FOR LEAKS

Wolfen Timed-Flow Bib Tap

Installation

This bib tap requires G1/2" male threaded water supply nipple to be preinstalled in the wall. The nipples should project forward about 15mm from the finished wall surface.

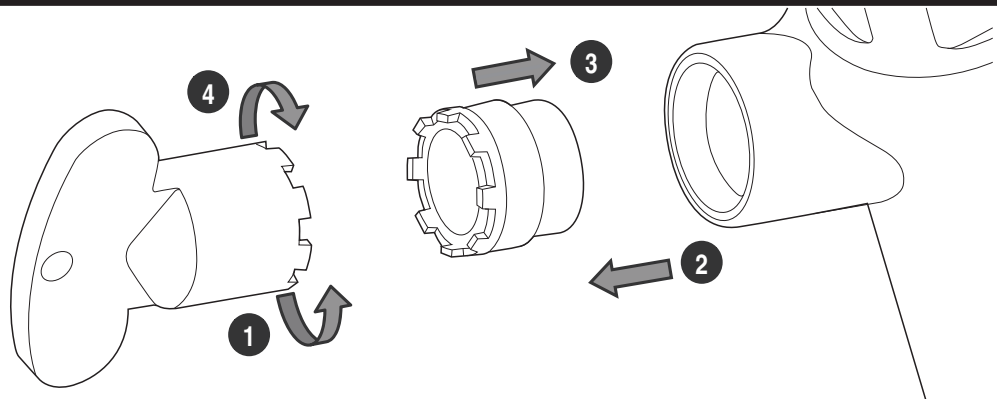
1. The bib tap should be installed directly over a basin or similar vessel. Greater installation height may cause users to splash water outside the basin whereas a lower height may reduce activity space. If bib taps are fitted in pairs, Hot bib tap should be fitted on left side of the basin (viewed from the front).
2. Apply suitable approved teflon tape to the nipple in the wall.
3. Hand tighten the bib tap onto the nipple, ensuring the outlet is positioned correctly downward when the bib touches the wall.

Note: Remember to fit isolating valves.

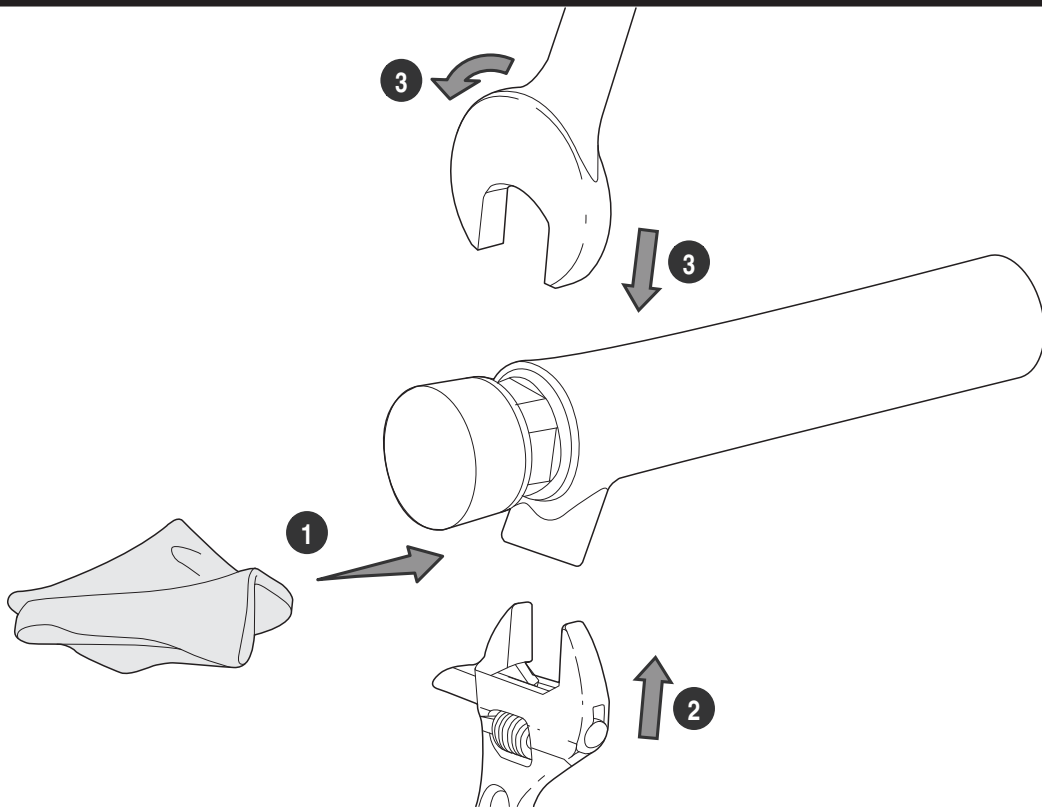
RESTORE WATER SUPPLIES & CHECK ALL JOINTS FOR LEAKS

MAINTENANCE

Maintenance of the flow aerator



Maintenance of the head



CLEANING

We recommend the use of soap water or approved cleaners. This product should not be cleaned with abrasive materials, acid, alkaline or ammonia-based household products. Damage caused by any improper treatment is not covered by the product warranty. Refer to Warranty Conditions.

REECE PRODUCT QUALITY GUARANTEE



You have purchased a quality product from Reece Australia Pty Ltd ABN 84 004 097 090 ("Reece"). This product is covered by a 5 year replacement product warranty and a 12 month warranty over spare parts and labour.

5 Year Warranty

This warranty covers faults in the product construction, material and assembly. Products which are within 5 years from the date of purchase, found upon inspection by an authorised Reece representative, to be defective in construction, material or assembly, will be repaired or exchanged with an equivalent product free of charge. Replaced items become Reece's property.

All replacement products will be available for collection without charge to the customer at the nearest Reece branch to the customer's location, or elsewhere as agreed between the customer and Reece.

Labour And Spare Parts

The labour for the replacement of products and spare parts to which this warranty applies will be supplied by Reece or relevant supplier using licensed plumbers engaged by Reece or relevant supplier within 1 year from the date of purchase. Spare parts other than those listed in the Manufacturer's Provisions above, which are within 1 year from the date of purchase found upon inspection by an authorised Reece representative to be defective in construction, material or assembly, will be replaced free of charge.

Warranty Conditions

This warranty will apply only under all of the following conditions:

- The item has been installed by a licensed plumber
- Failure is due to a fault in the manufacture of the product
- Proof of purchase (including the date of purchase) is provided
- The installation of the product is in accordance with the instructions provided

This warranty does not cover products purchased as an ex-display without being fully checked and tested for sale by the manufacturer.

This warranty does not include faults caused by:

- Unsuitable or improper use. Incorrect installation or installation not in accordance with the instructions provided.
- Installation or part installation by the purchaser or any person other than a LICENSED PLUMBER.
- Inadequate or complete lack of maintenance. Chemical, electrochemical or electrical influences.
- Harsh detergents or abrasive cleaners used on product finishes

EXCLUSIONS

To the fullest extent permitted by law, Reece excludes all liability for damage or injury to any person, damage to any property, and any indirect consequential or other loss or damage.

For all warranty queries customers are to contact the branch where the product was purchased. These details can be found on your purchase invoice.

CLAIM PROCEDURE

Our goods come with guarantees that cannot be excluded under the Australian Consumer Law. You are entitled to a replacement or refund for a major failure and for compensation for any other reasonably foreseeable loss or damage. You are also entitled to have the goods repaired or replaced if the goods fail to be of acceptable quality and the failure does not amount to a major failure.

Don't risk it, use a licensed plumber.™

**IF AFTER CHECKING THE
INSTALLATION INSTRUCTIONS
AND IMPORTANT
INFORMATION, THE PROBLEM
HAS NOT BEEN IDENTIFIED,
CUSTOMERS ARE TO
CONTACT THE BRANCH
WHERE THE PRODUCT WAS
PURCHASED. THESE DETAILS
CAN BE FOUND ON YOUR
PURCHASE INVOICE.**

**General contact details for
Reece are as follows:**

Reece Australia Pty Ltd

57 Balmain Street

Cremorne VIC 3121

+61 3 9274 0000

admin@reece.com.au



WOLFEN™

reece.com.au/wolfen