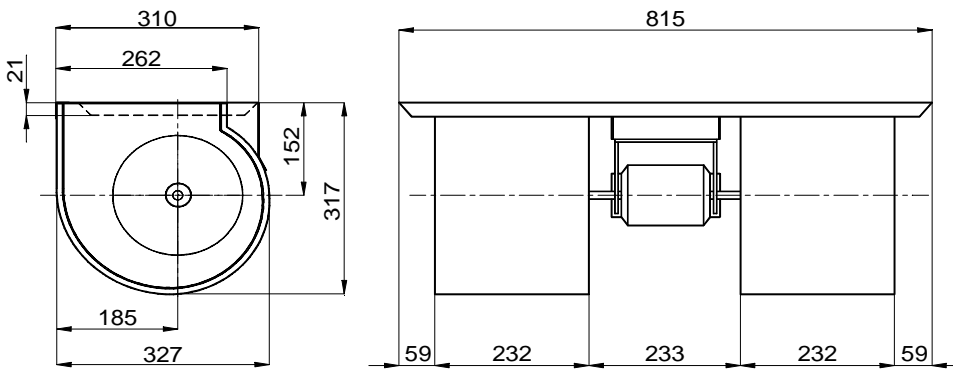


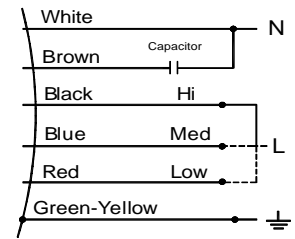
KD2 9/7T 750W 4P-1 3SF



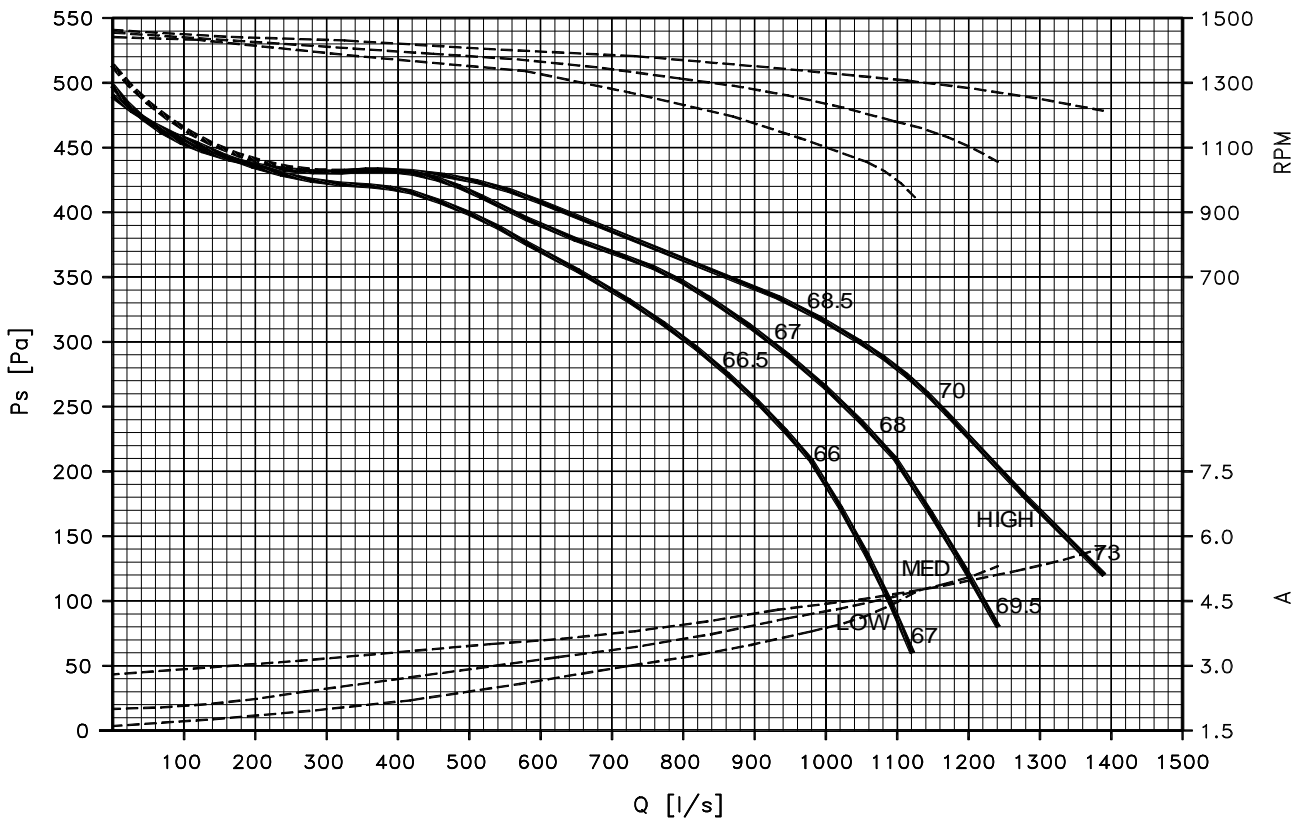
VOLT	240	Ph	1	SL.		KD29002.1	
WATT	750	Hz	50	Part No.		CE-AE1C723.00	
RPM	1350/1300/1250	Cl.	F	uF/V	20/450	Date	11/5/01
POLE	4	Temp.	min -20°C	N. Amp	4.9	Weight	27 kg
IP	20		max +40°C	M. Amp	5.8		



Wiring diagram



All Dimension in mm



* Sound Lp(A) at 1 m.