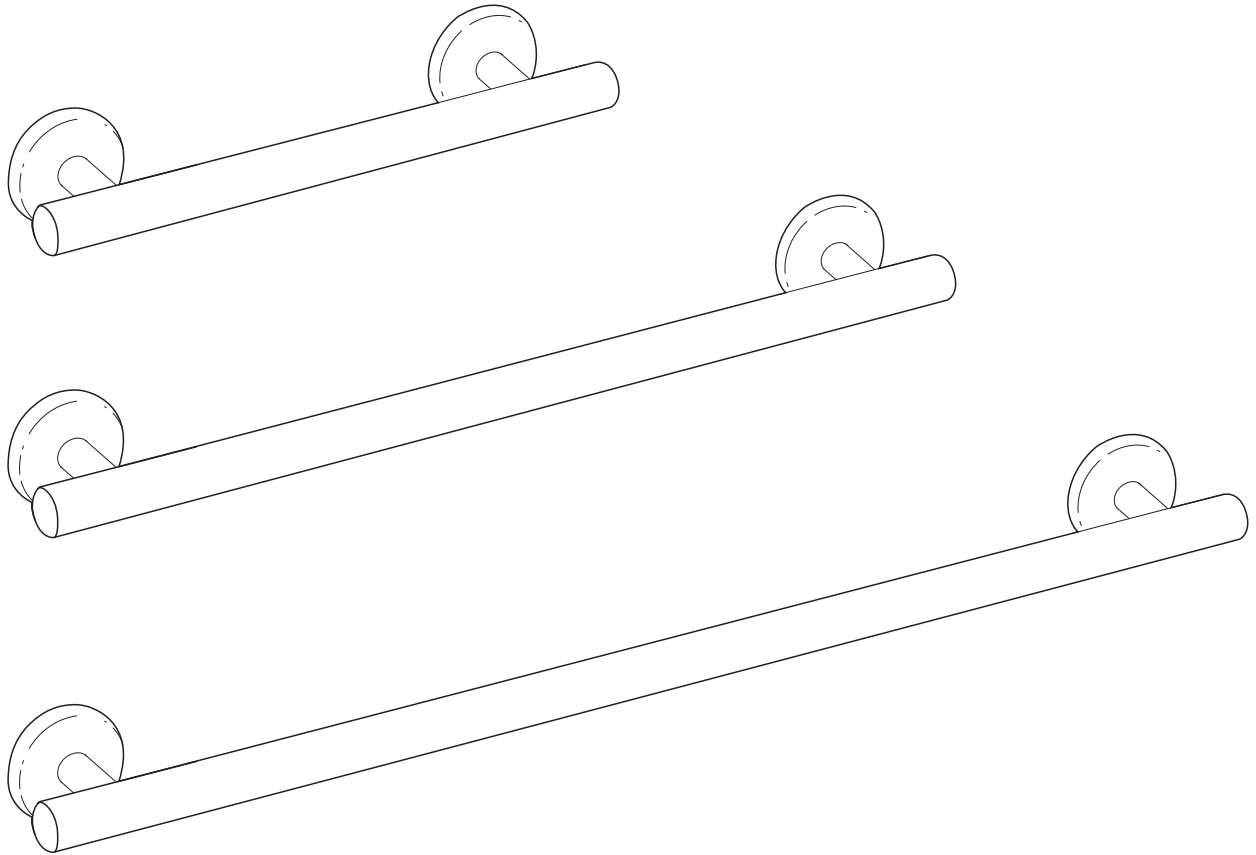


mizu

Drift Grab Rails



Installation Instructions

Important

This product must be fitted to a solid wall or suitably reinforced wall framing structure in order to meet 1100N force requirement of AS 1428.1.

Important

Fixings provided are for use with solid walls only. It is the installers responsibility to ensure correct fixings are used with any other wall type.

Important

Clean with mild detergent or clear liquid cleansers. Wipe dry with a clean soft cloth.

Important

Do not use steel wool or any abrasive cleansers.

Important

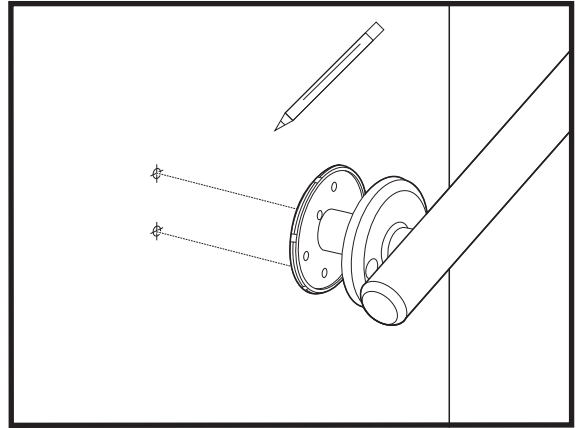
Avoid prolonged exposure to any chemical solution containing chlorides or acids. Surface damage caused by acids will void warranty.

mizu

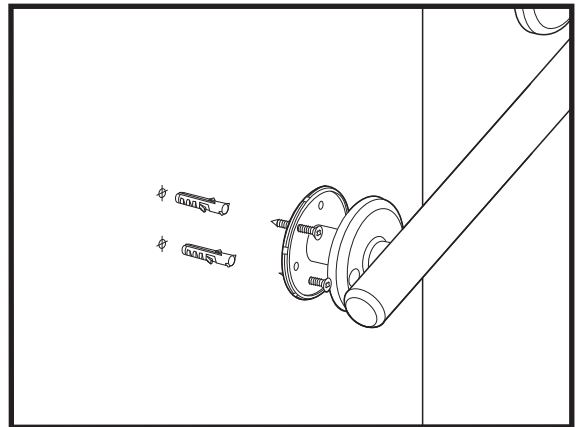
Drift Grab Rails

Installation

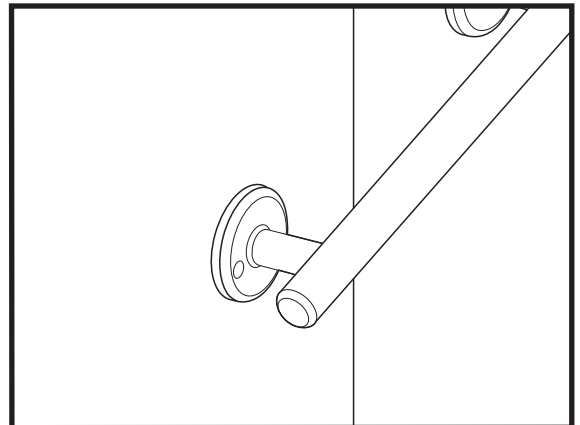
1. Check wall surface is flat and free from contaminants.
2. Wet rail and slide back cover with seal to expose the mounting plate.
3. Place grab rail on wall and mark location of screw holes.



4. Drill holes and insert wall plugs provided.
5. Using stainless steel screws provided, fasten until screws are fully engaged and mount plate is firm to the wall.



6. Slide cover with seal back into position, ensuring seals are properly engaged and insert screw hole cover.



Care Details

We recommend the use of soapy water or approved cleaners. This product should not be cleaned with abrasive materials. Damage caused by any improper treatment is not covered by the product warranty. Refer to Warranty Conditions

Plumbers, please ensure a copy of the installation instruction is left with the end user for future reference.

