

# INSTALLATION GUIDE

## Milli Pure Basin Mixer

**Tapware is to be installed by a Licenced Plumber in accordance with AS/NZS 3500:2003**

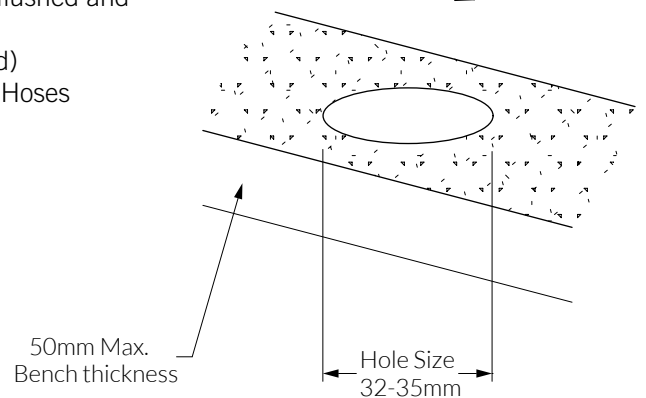
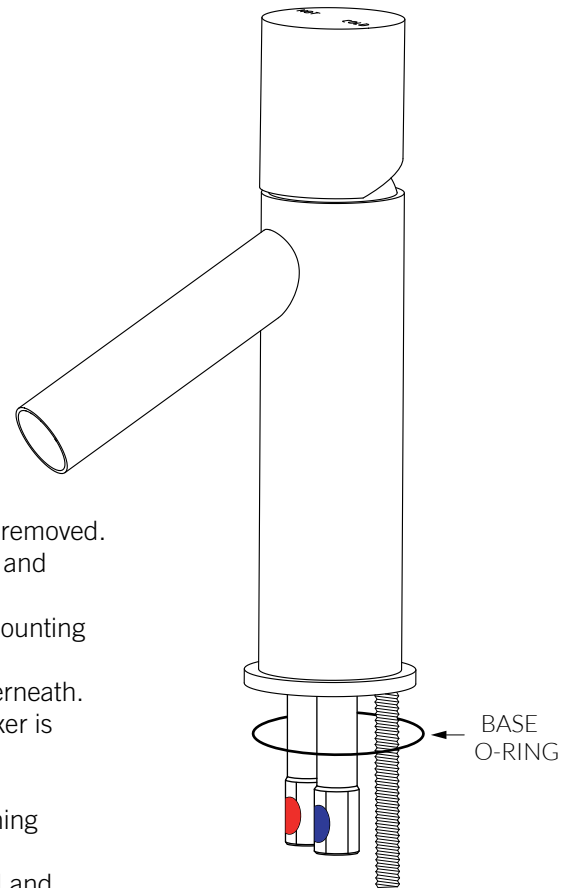
**Surface clearance hole size to be between 32 - 35mm.  
Maximum Bench/Hob thickness is 50mm**

**Recommended working water pressure 300 - 500 Kpa.  
Maximum water temperature is 65 deg.C.**

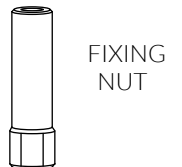
- The Mixer is supplied assembled, only the Fixing nut and the Clamp need to be removed.
- After removing the mentioned parts, lower the Mixer on to the mounting surface and fit the Flexible Hoses.
- In some cases the Flexible Hoses may need to be fed through from under the mounting surface and then attached. (Tighten using appropriate spanner)
- After securing the Flexible Hoses, fit Clamp and attach the Fixing Nut from underneath.
- Before fully securing the Mixer ensure that the Base O Ring is intact and the Mixer is properly centered over the mounting surface hole.
- The Mixer mounting surface must be completely sealed and water-tight.
- The 1/2" Fittings of the Flexible Hoses have a conical seal, ensure that the matching threads are cut square and burr free.
- Prior to connecting the Flexible Hoses, ensure all pipework is thoroughly flushed and free of any dirt or debris.
- Isolating Stop Valves are recommended with all installations. (not supplied)
- Connect the Flexible Hoses to Hot and Cold pipework fittings, ensure the Hoses do not kink or become twisted when tightening.
- Check all fittings and connections are secure and water-tight.

### PLUMBER NOTE:

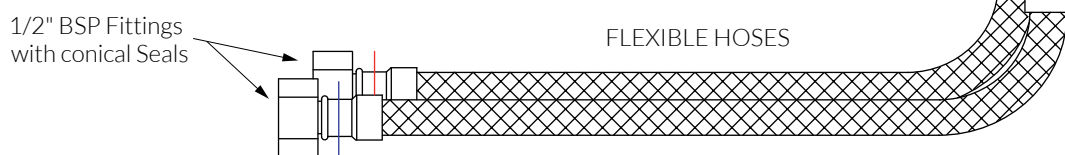
- On-site testing using higher water pressures must be conducted with the Mixer in the closed position. (STATIC TEST)
- Under no circumstances is the Mixer to be opened when exceeding the maximum stated water pressure.
- At the completion of testing, do not relieve any high water pressure by operating the Mixer.
- Exposing the internals of the Mixer Cartridge to higher than specified water pressures will void the manufacturers warranty.



CLAMP



FIXING NUT



1/2" BSP Fittings with conical Seals

FLEXIBLE HOSES