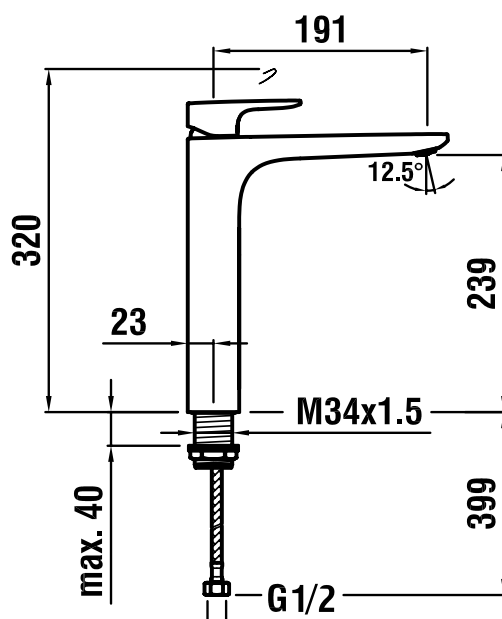


LAUFEN

CITYPLUS EXTENDED BASIN MIXER



Dimensions are nominal measurements only.

SPECIFICATIONS

Recommended use	Domestic, Hotel and Commercial
Colour availability	Chrome
Pressure rating	Maximum continuous operating pressure 1000kPa. As per AS/NZS3500 pressure must be limited to 500kPa on any new home, extension or renovation. For best performance and longer life we recommend 150-500kPa. Hot and cold water inlet pressure should be equal.
Temperature rating	Maximum continuous working temperature 80°C
Suitable Hot Water Units	Storage Tank: Yes Continuous Flow: Yes Gravity Feed: Not suitable



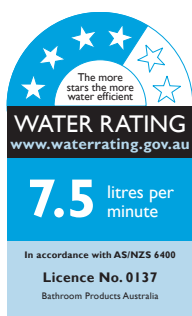
To see the complete LAUFEN range go to www.reece.com.au/bathrooms

CLEANING RECOMMENDATIONS

We recommend the use of soapy water or approved cleaners.

This product should not be cleaned with abrasive materials.

Damage caused by any improper treatment is not covered by the product warranty. Refer to Warranty Conditions.



Disclaimer: Products in this specification manual must by regulation be installed by licensed and registered trade people. The manufacturer/distributor reserves the right to vary specifications or delete models from their range without prior notification. Dimensions are nominal measurements only. Dimensions and set-outs listed are correct at time of publication however the manufacturer/distributor takes no responsibility for printing errors.

Tech Page Version 2

LAUFEN
Bathrooms Culture since 1862 www.laufen.com

reece

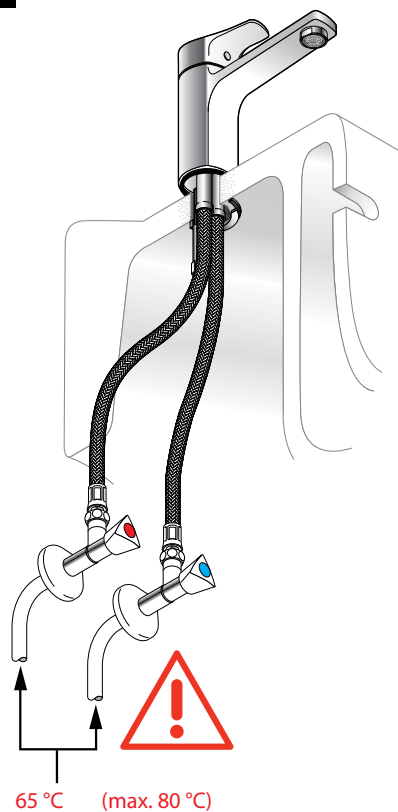
LAUFEN

CITY PLUS EXTENDED BASIN MIXER

Important Note

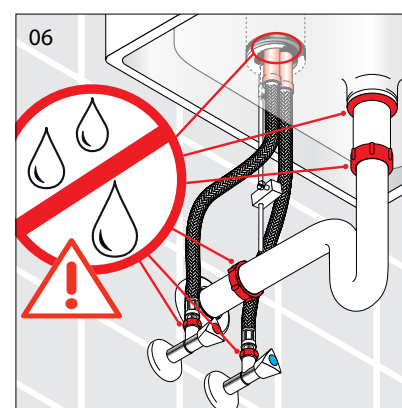
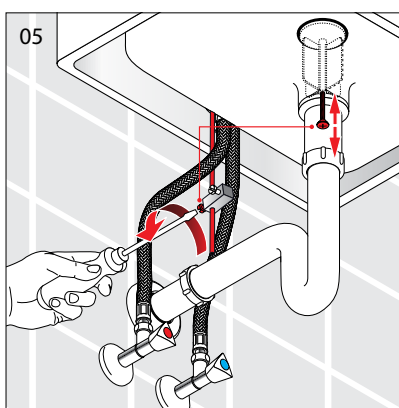
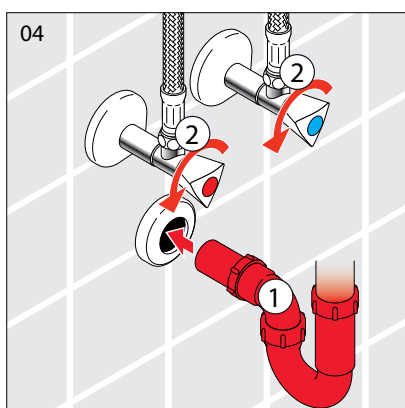
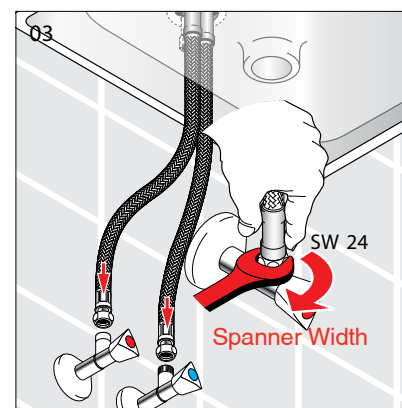
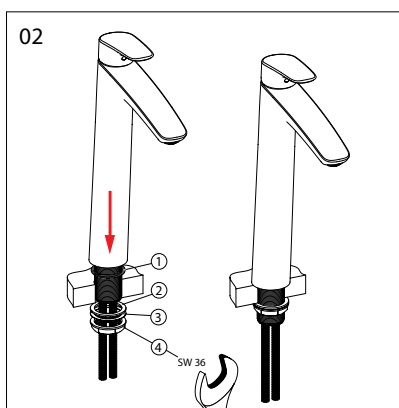
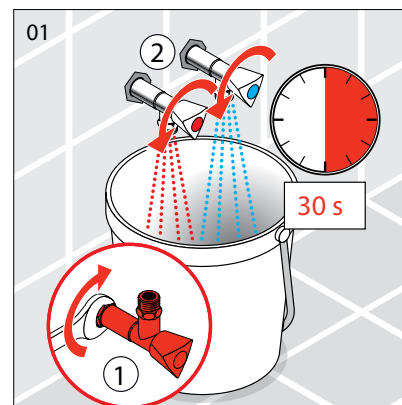
Mixer must be installed to the requirements of AS/NZS 3500 by a qualified plumber. Your mixer comes to you already factory assembled and tested. We do not recommend the dismantling of any internal part of the mixer. The mixers are factory tested and sealed so as to give the best performance.

INSTALLATION INSTRUCTIONS



Important information to be observed before commissioning:

- Use only original parts from LAUFEN.
- LAUFEN accepts no responsibility for malfunctions resulting from incorrect installation or poor water quality.



Note: Pop up Waste Rod not included with product.

Plumbers, please ensure a copy of the installation instructions is left with the end user for future reference

LAUFEN

CITY PLUS EXTENDED BASIN MIXER



Troubleshooting

Change cartridge 35 mm

