

Neo 1400 Double Wall Hung Basin

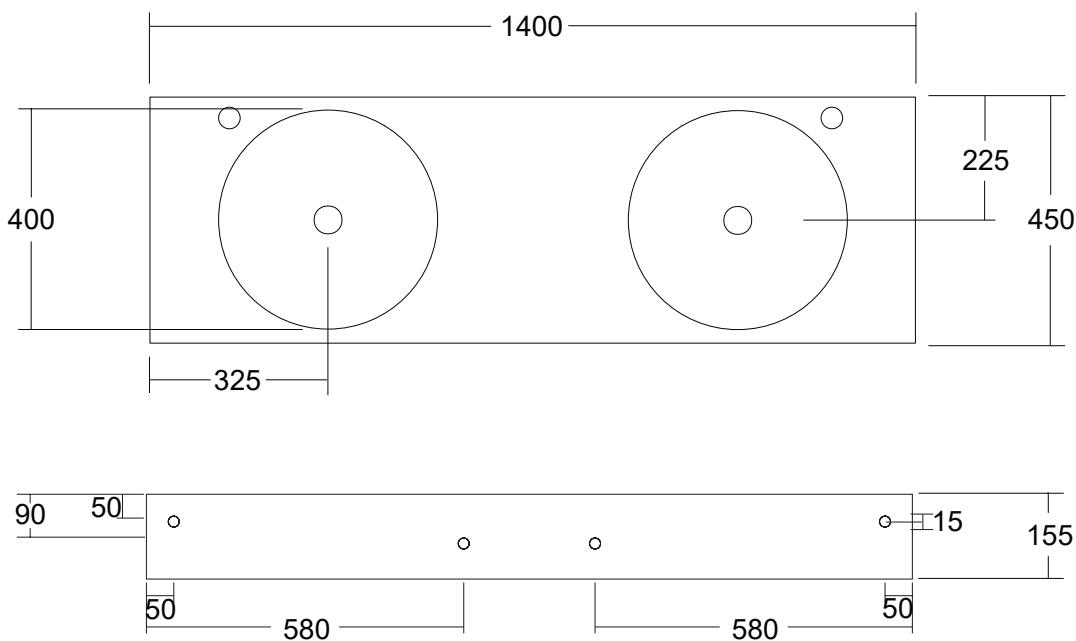
SPECIFICATIONS

Recommended Use	Domestic, Hotel & Commercial
Material	Solid Surface
Finish	Matt
Colour	White
Basin Type	Wall Hung
Basin Configuration	Centred Bowl
Capacity	8 Litres x 2
Weight	35 kg
Fixing	Bolted/screwed to wall by licensed trades person. Supplied with fixing bolts. Installer to determine appropriate wall fixing.
Tap Hole Availability	0 or 2 tap hole (tapware not included) Double bowl - Left hand bowl, left hand tap hole - Right hand bowl, right hand tap hole
Overflow	Yes
Plug & Waste	Supplied with 32-40mm Chrome Pop-up Waste
Options	White Solid Surface Waste Cap Softskin colours available



WARRANTY

Warranty - Domestic Use	15 Years
Please refer to warranty page for full terms and conditions	



Dimensions are nominal measurements only.

Disclaimer: Products in this specification manual must by regulation be installed by licensed and registered trade people. The manufacturer/distributor reserves the right to vary specifications or delete models from their range without prior notification. Dimensions are nominal measurements only. Dimensions and set-outs listed are correct at time of publication however the manufacturer/distributor takes no responsibility for printing errors.

Published 03/08/2022